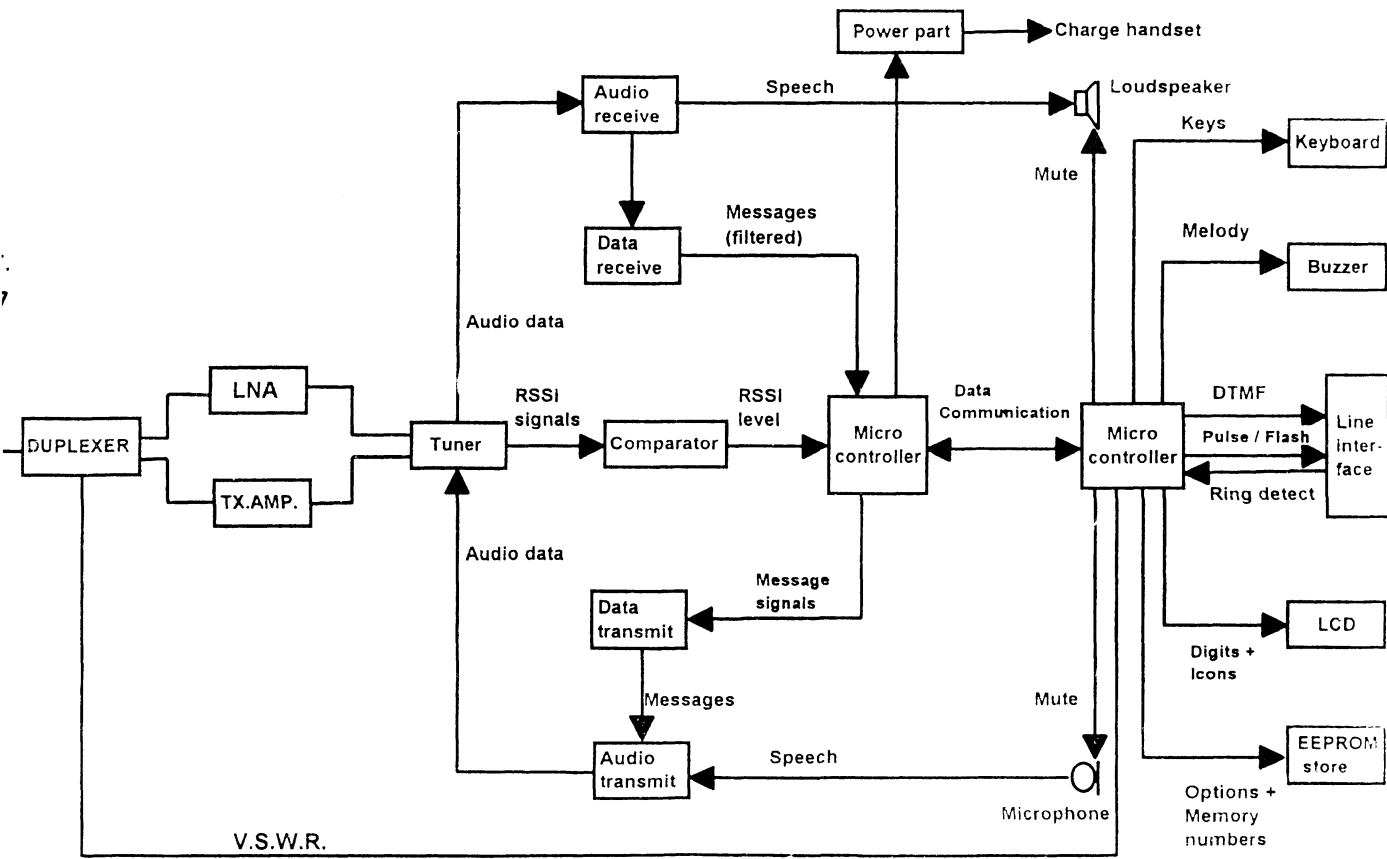


Title		
CL-1000XP BASE-UNIT -- CONTROL LOGIC		
Size Document Number		
B	CTUBCON.SCH	REV
Date: August 12, 1996 Sheet 1 of 3		

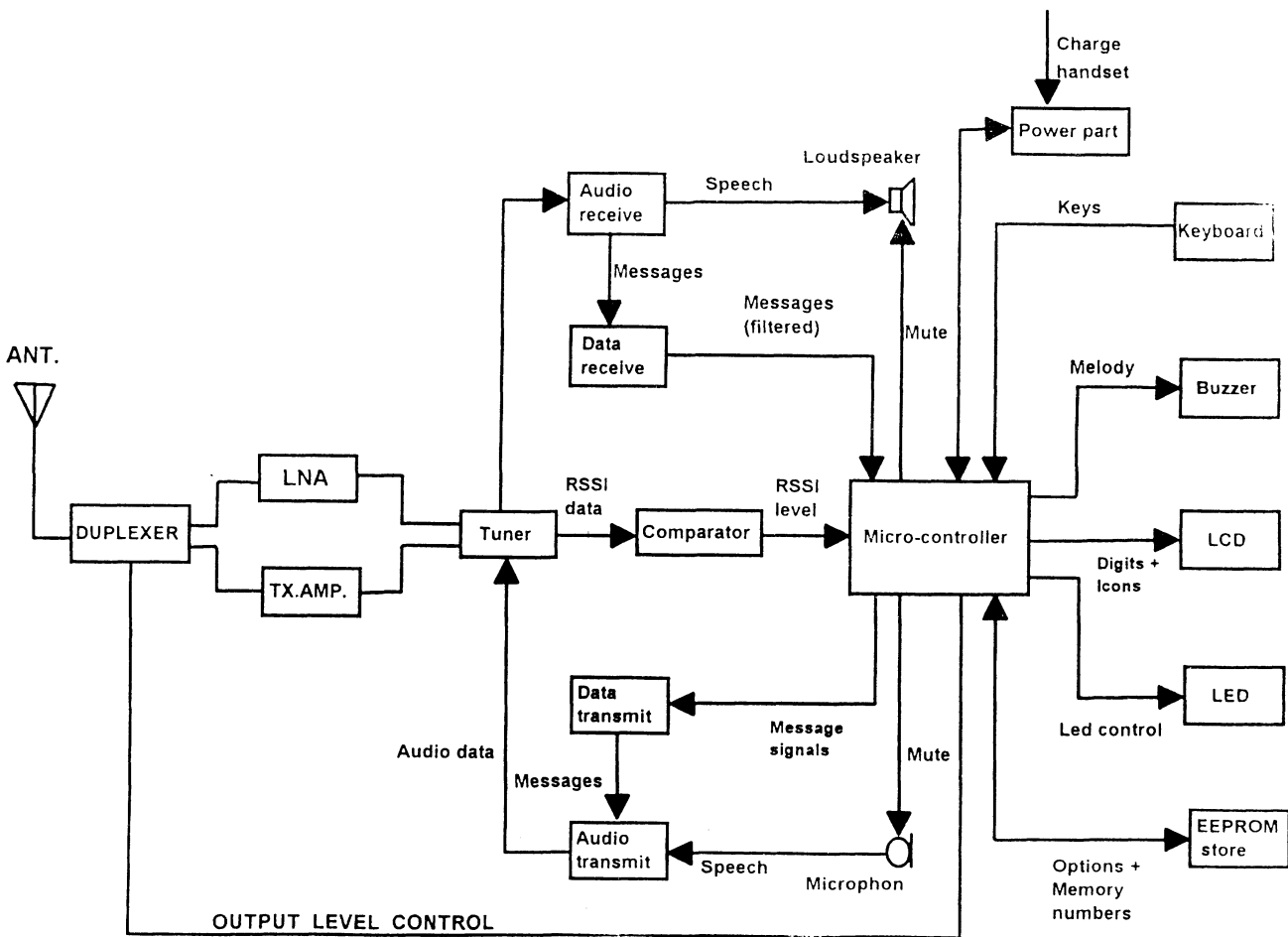
# VOYAGER

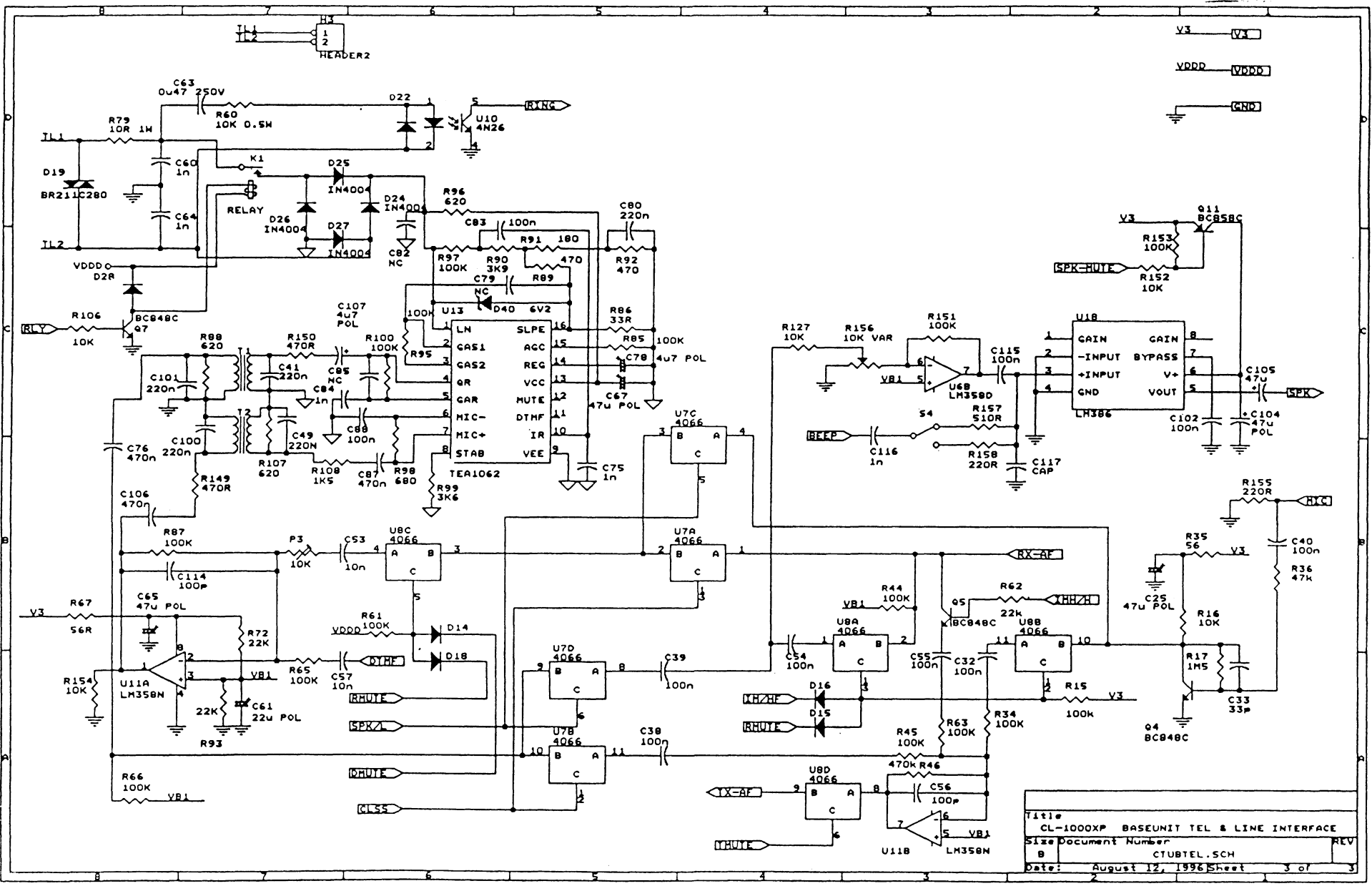
ITEM NO.: CL-1000XP

Base Unit Block Diagram

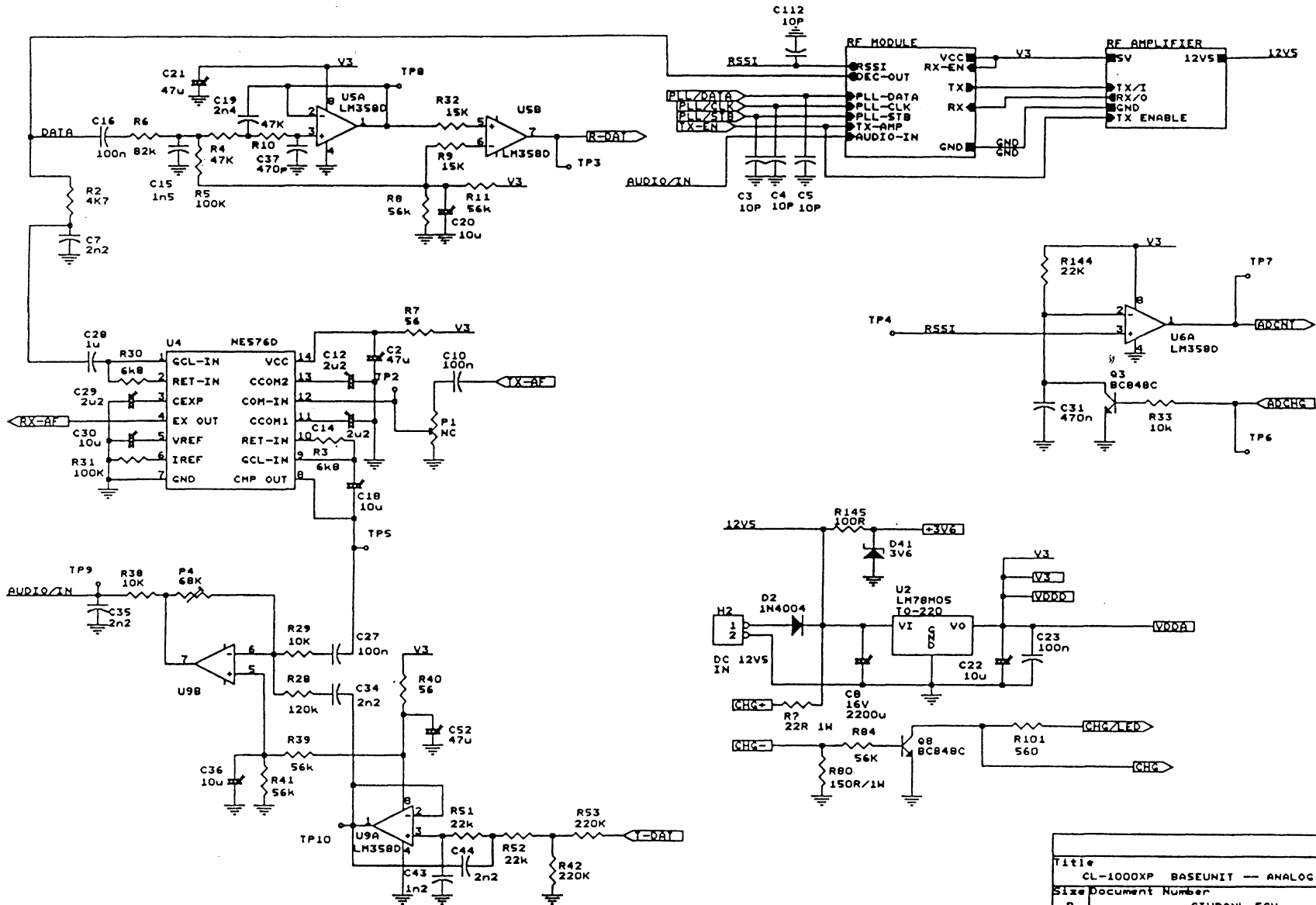


Handset Block Diagram

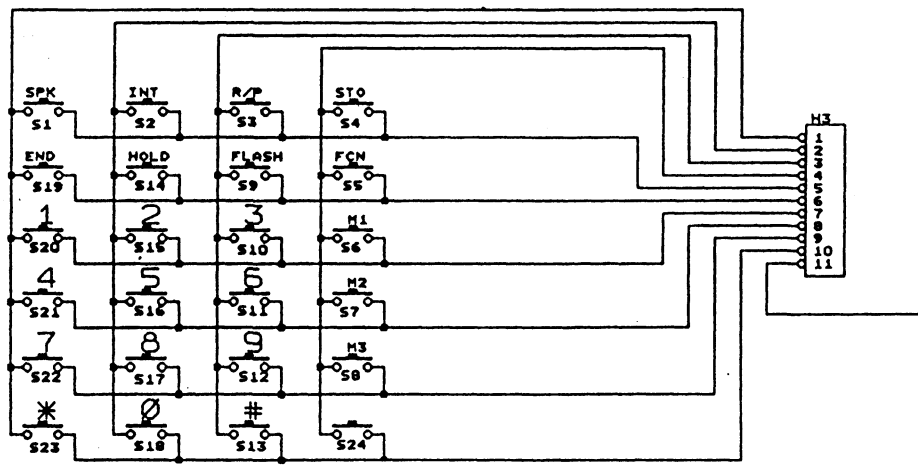
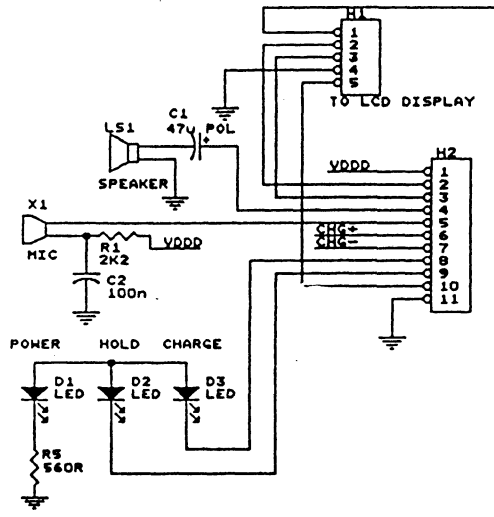




Title		CL-1000XP BASEUNIT TEL & LINE INTERFACE	
Size Document Number		REV	
B		CTUBTEL.SCH	
Date:	August 12, 1996	Sheet	3 of 3

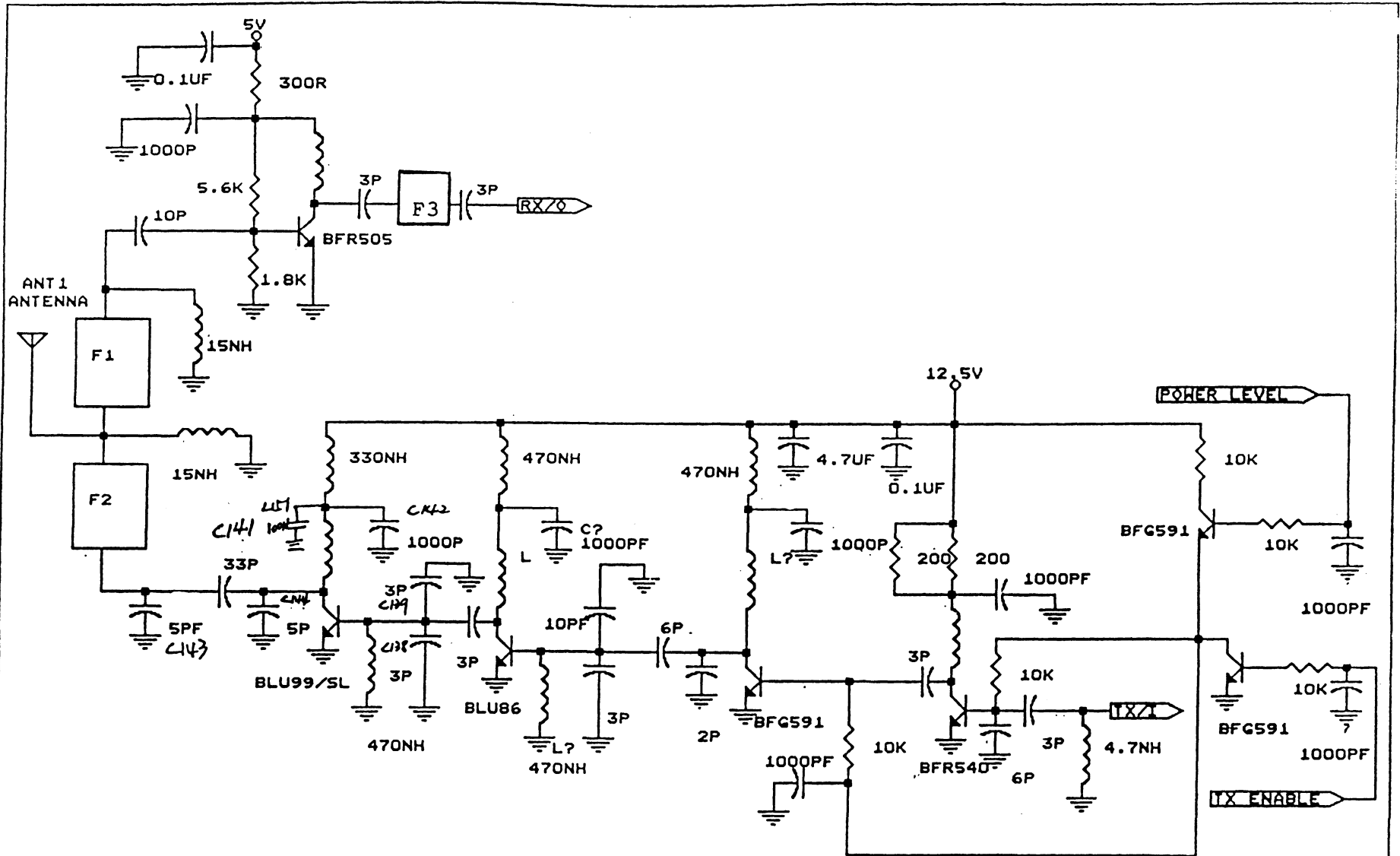


Title	
CL-1000XP BASEUNIT -- ANALOG SECTION	
Size	Document Number
B	CTUBANL.SCH
Date:	August 12, 1996 Sheet 2 of 3

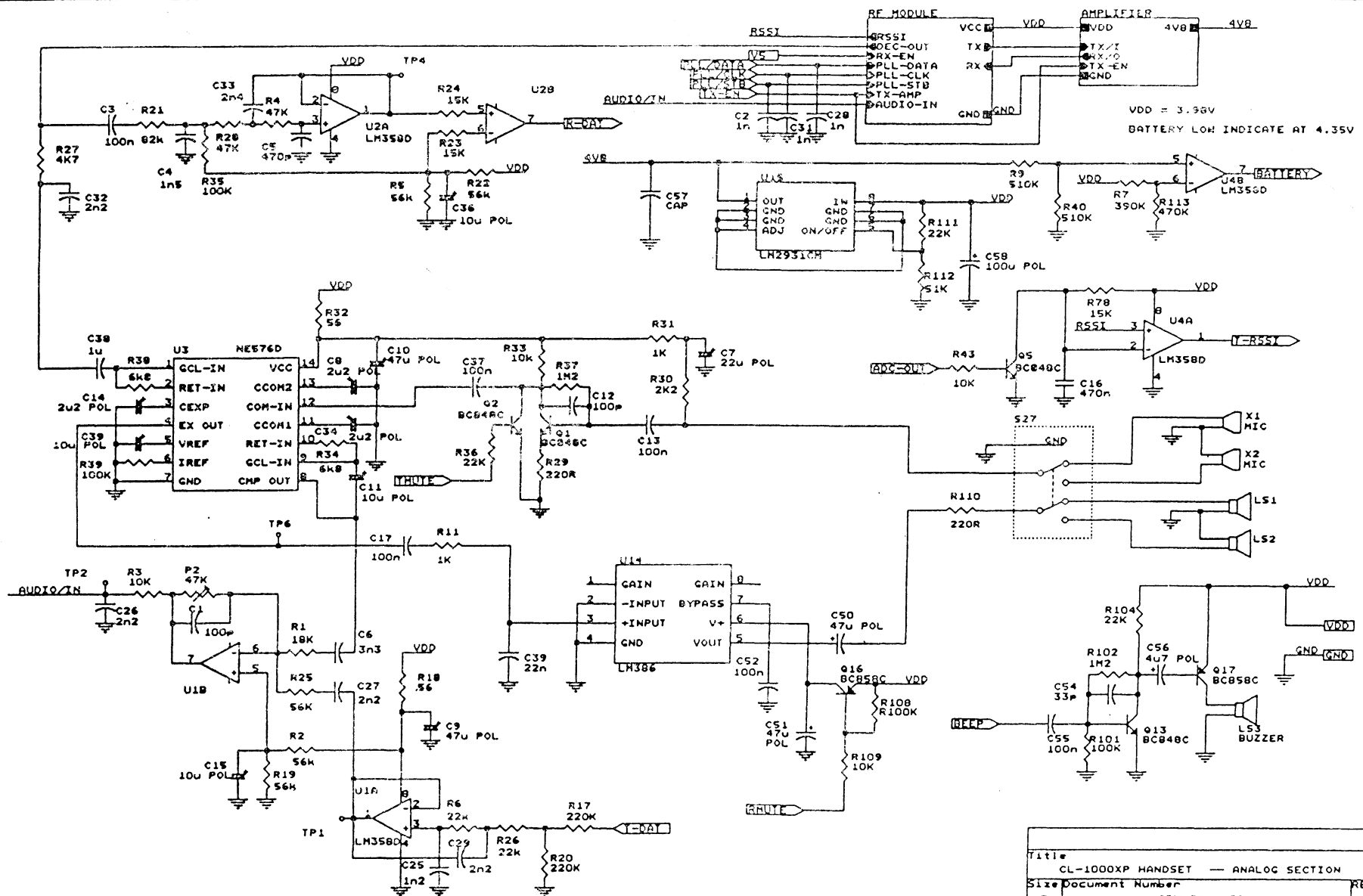


Title		
CL-1000XP BASE-UNIT — KEY & DISPLAY		
Size Document Number		REV
B	CTUBKEY.SCH	
Date:	August 12, 1998	Sheet 1 of 1

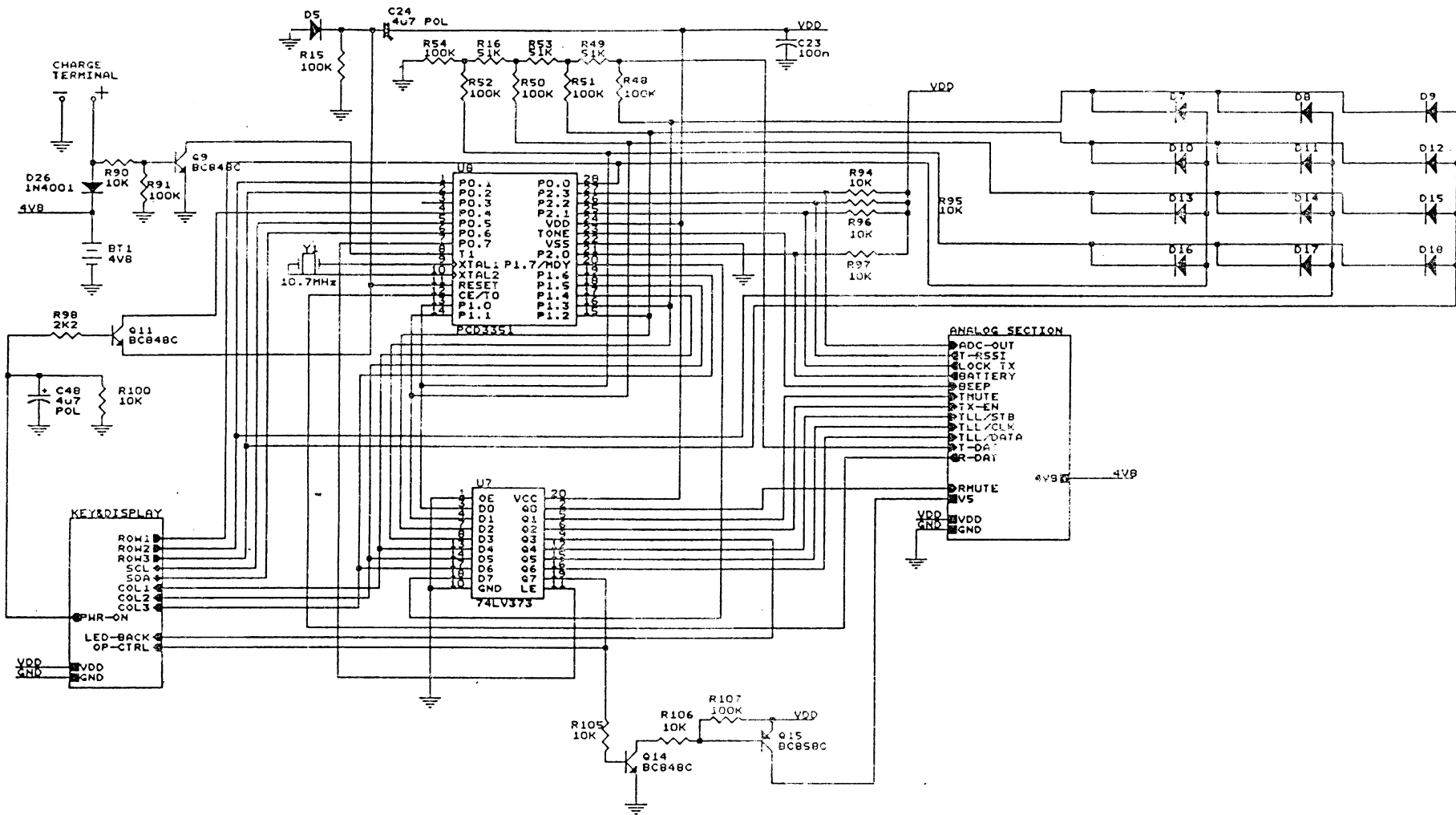
# BASE UNIT RF. AM. CIRCUIT DIAGRAM



BASE UNIT RF. AMP. CIRCUIT DIAGRAM		
Size	Document Number	REV
A		
Date:	March 22, 1996	Sheet of

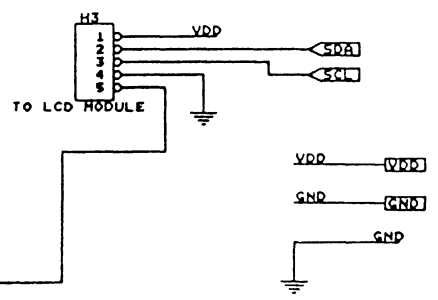
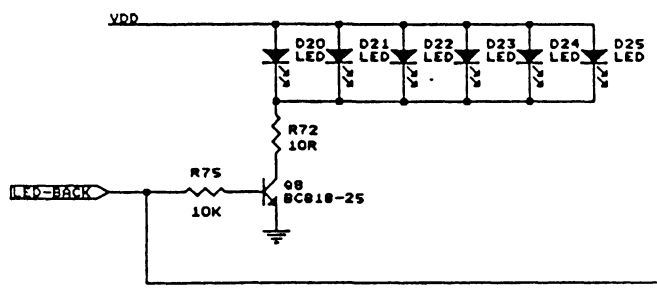
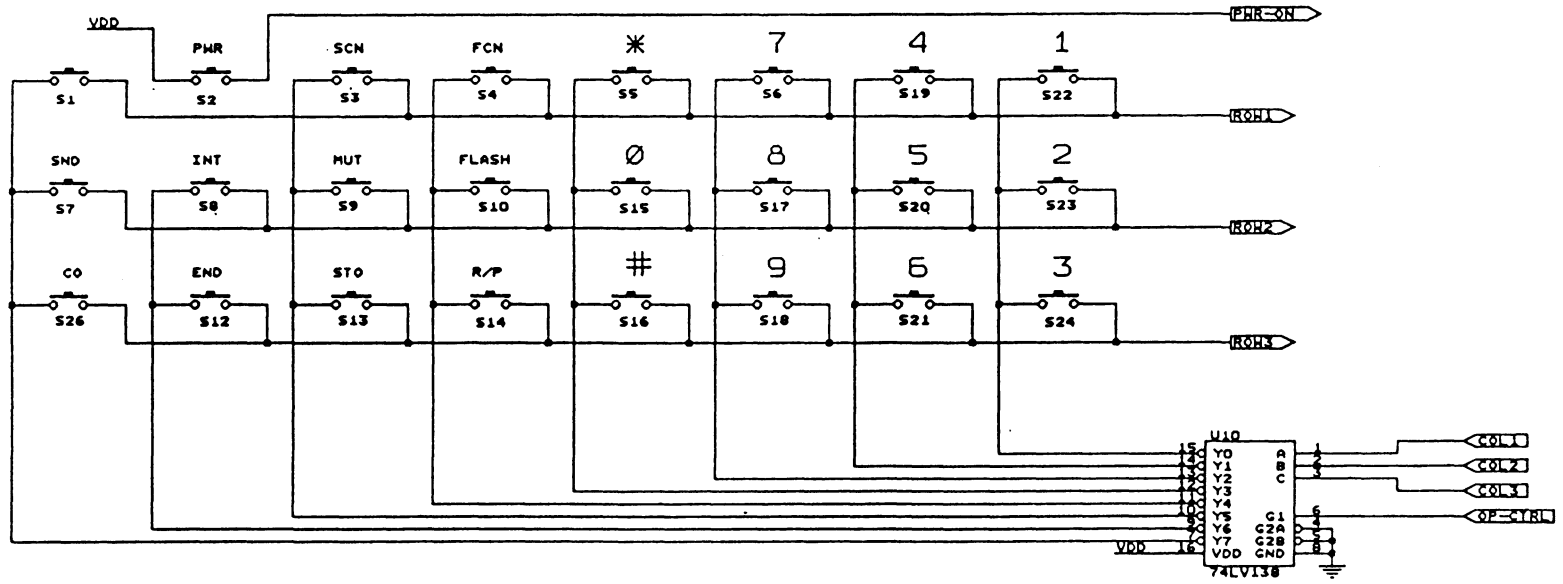


Title		CL-1000XP HANDSET — ANALOG SECTION
Size Document Number		
B	CTUHSANL.SCH	REV
Date:	August 12, 1996	Sheet 3 of 3



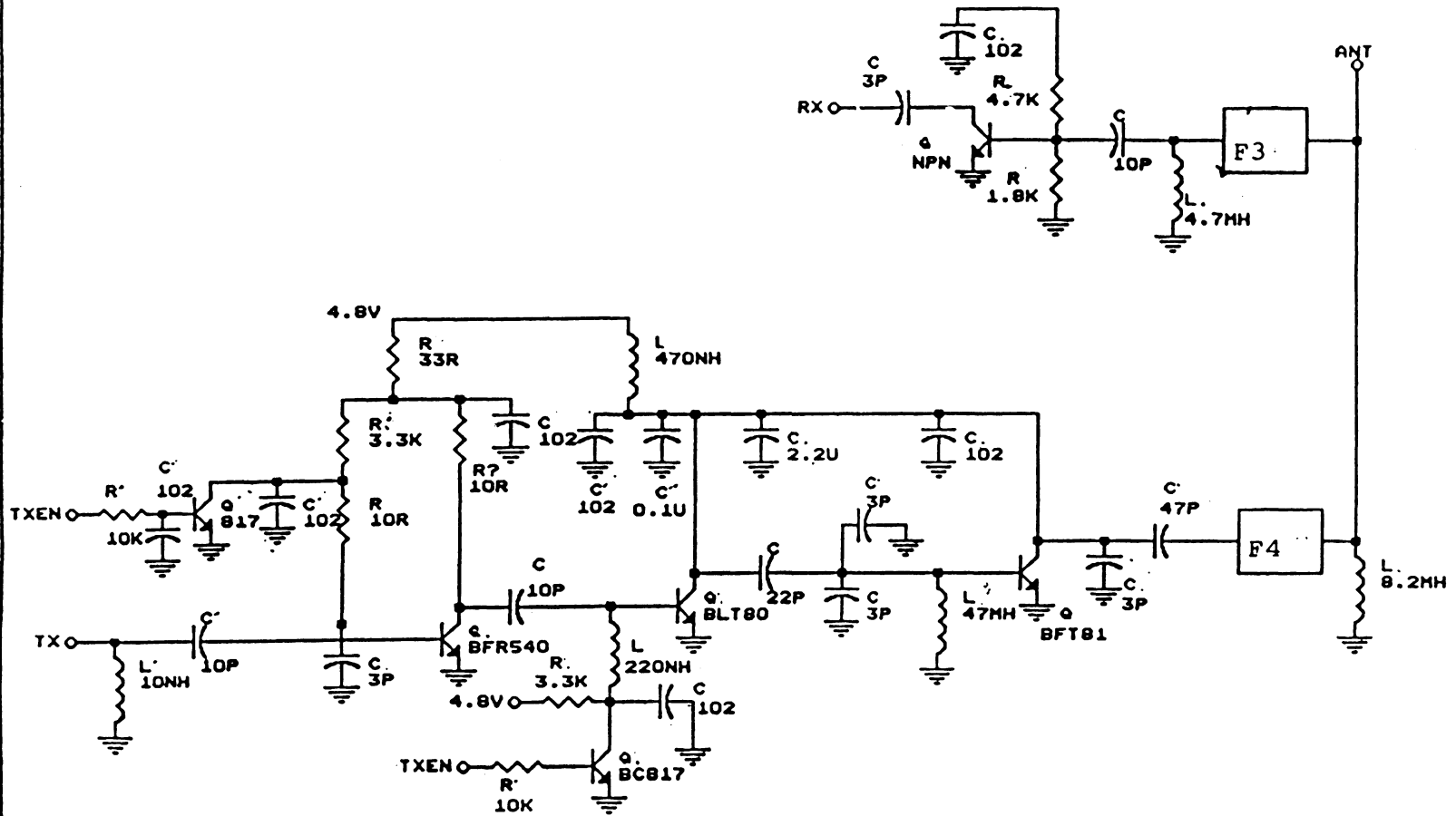
Title		
CL-1000XP HANDSET -- CONTROL UNIT		
Size	Document Number	REV
B	CTPHSCON.SCH	
Date:	August 12, 1996	Sheet 1 of 3





Title		
CL-1000XP HANDSET -- KEY & DISPLAY		
Size	Document Number	REV
B	CTUHSKEY.SCH	
Date:	August 12, 1996	Sheet 2 of 3

# HANDSET RF. AMP CIRCUIT DIAGRAM



## HANDSET RF. AMP. CIRCUIT DIAGRAM

Size Document Number		REV
A		
Date:	April 25, 1996	Sheet of