

Service Manual

and Technical Guide

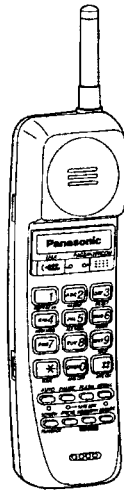


Cordless Phone with Answering System

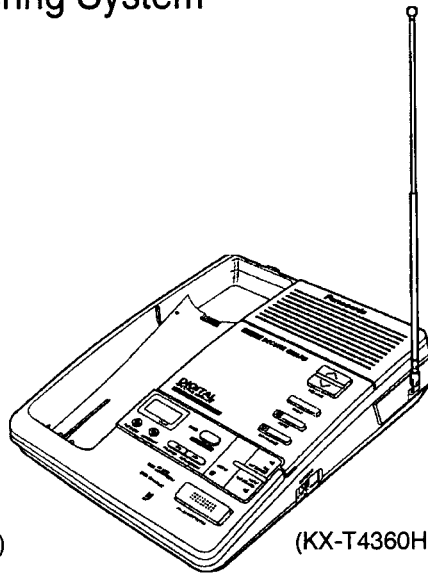
Telephone Equipment

KX-T4360

(for U.S.A.)



(KX-T4360R)



(KX-T4360H)

■ SPECIFICATIONS

General

Modulation: FM, 5 kHz Deviation
 Frequency Stability: ± 2.5 kHz
 Dial Type: Tone (DTMF)/Pulse
 Redial: Last dialed number each time the Redial button is pressed
 Pause: 3.5 seconds per pause
 Memory Capacity: 10 telephone numbers, up to 16 digits per station

Tape Deck Section:

Greeting Message: Recorded a microchip.
 Recording Time is 16 seconds.
 Incoming Message (ICM): Single Micro Cassette (MC-30)
 Tape Speed: 2.4 cm/s
 Wow and Flutter: 0.58 % (WRMS)
 Motor: Electrical governor motor

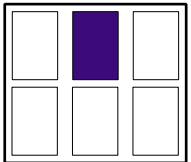
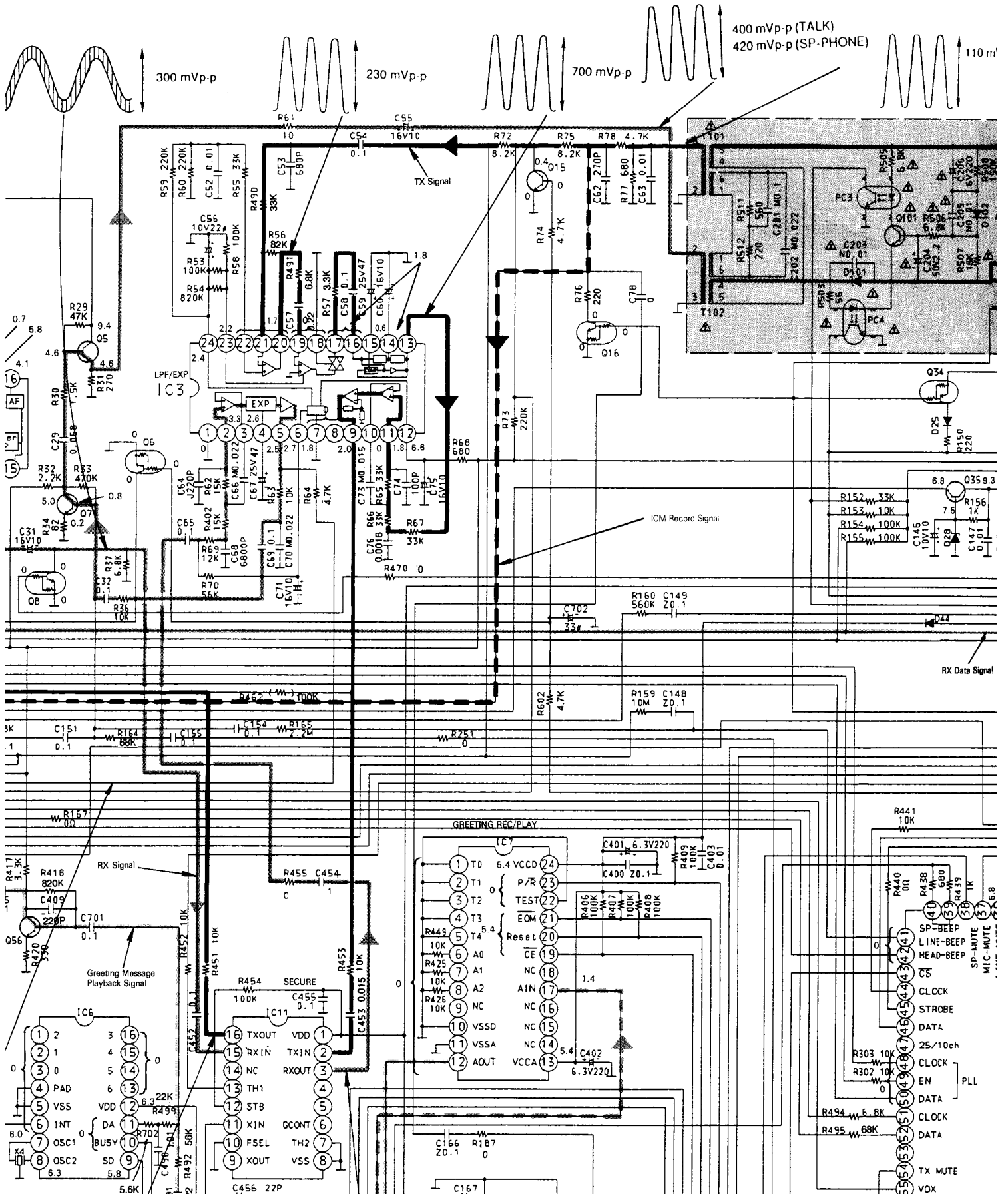
| | Base Unit (KX-T4360H) | Portable Handset (KX-T4360R) |
|---------------------------------------|---|--|
| Power Source: (Receiver Section) | AC adaptor KX-A11-5 (DC 12 V) | Built-in rechargeable Ni-Cd battery (KX-A36A) |
| Receiving Frequency: | 10 channels within 49.6 to 49.9 MHz | 10 channels within 46.6 to 46.9 MHz |
| Adjacent Channel Rejection: | 40 dB | 40 dB |
| Sensitivity: (Transmitter Section) | 1dB μ V for 20 dB S/N | 2 dB μ V for 20 dB S/N |
| Transmitting Frequency: | 10 channels within 46.6 to 46.9 MHz | 10 channels within 49.6 to 49.9 MHz |
| Jacks: | DC IN, Telephone line | |
| Antenna: | Telescopic | Retractable Rubber Flexible |
| Speaker: | 2" (5 cm) PM dynamic | 1.2" (3 cm) dynamic |
| Microphone: | Condenser microphone | Condenser microphone |
| Dimensions (H x W x D): | 2 ¹⁷ / ₃₂ " x 7 ³ / ₃₂ " x 9" (64 x 180 x 229 mm) | 11 ¹³ / ₃₂ " x 2 ¹¹ / ₃₂ " x 2 ¹ / ₁₆ " (290 x 60 x 52 mm) |
| Weight: | 1.76 lbs. (800 g) | 0.57 lbs. (257 g) with battery |

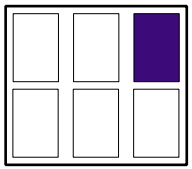
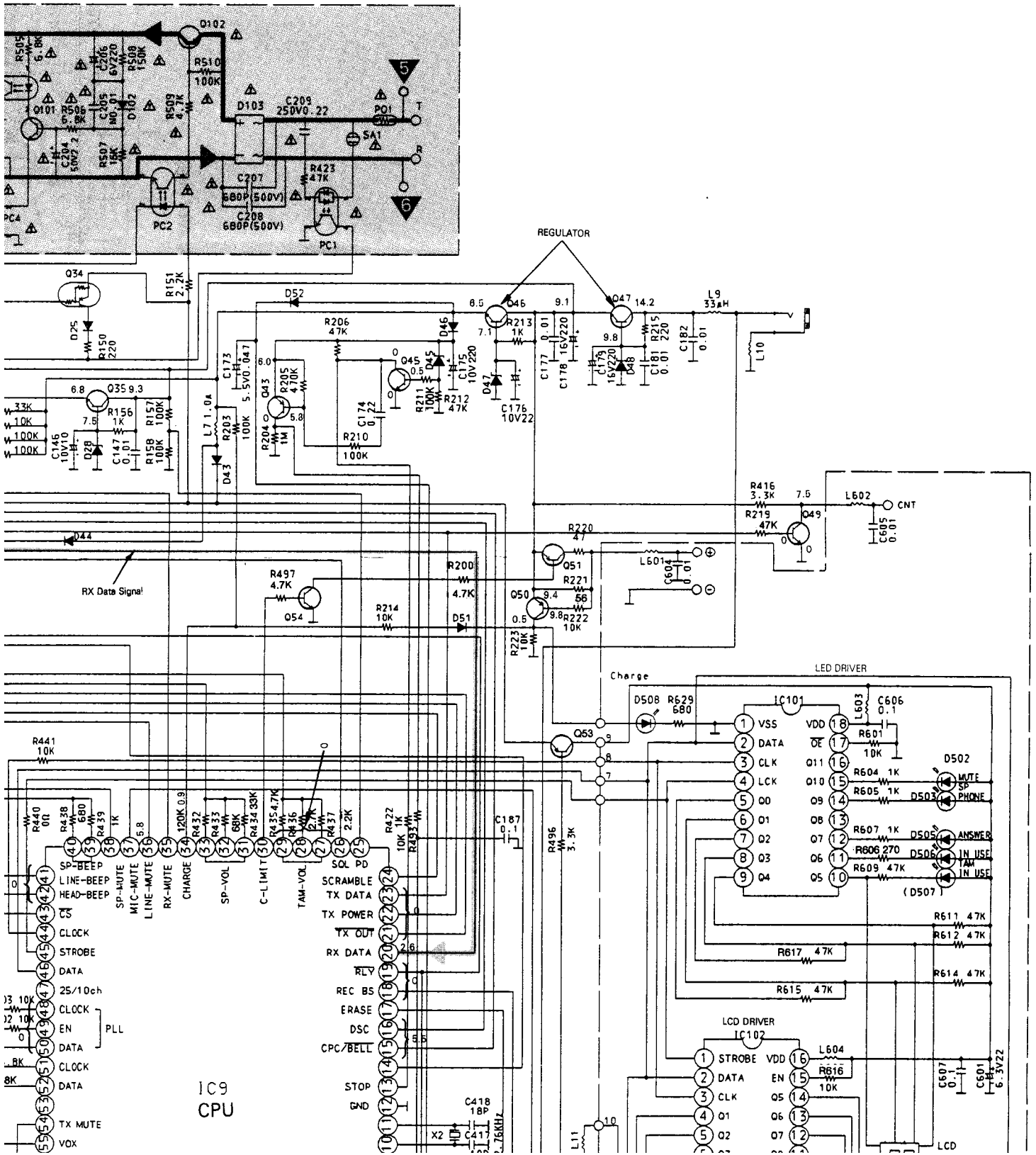
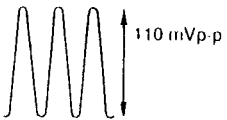
Design and specifications are subject to change without notice.

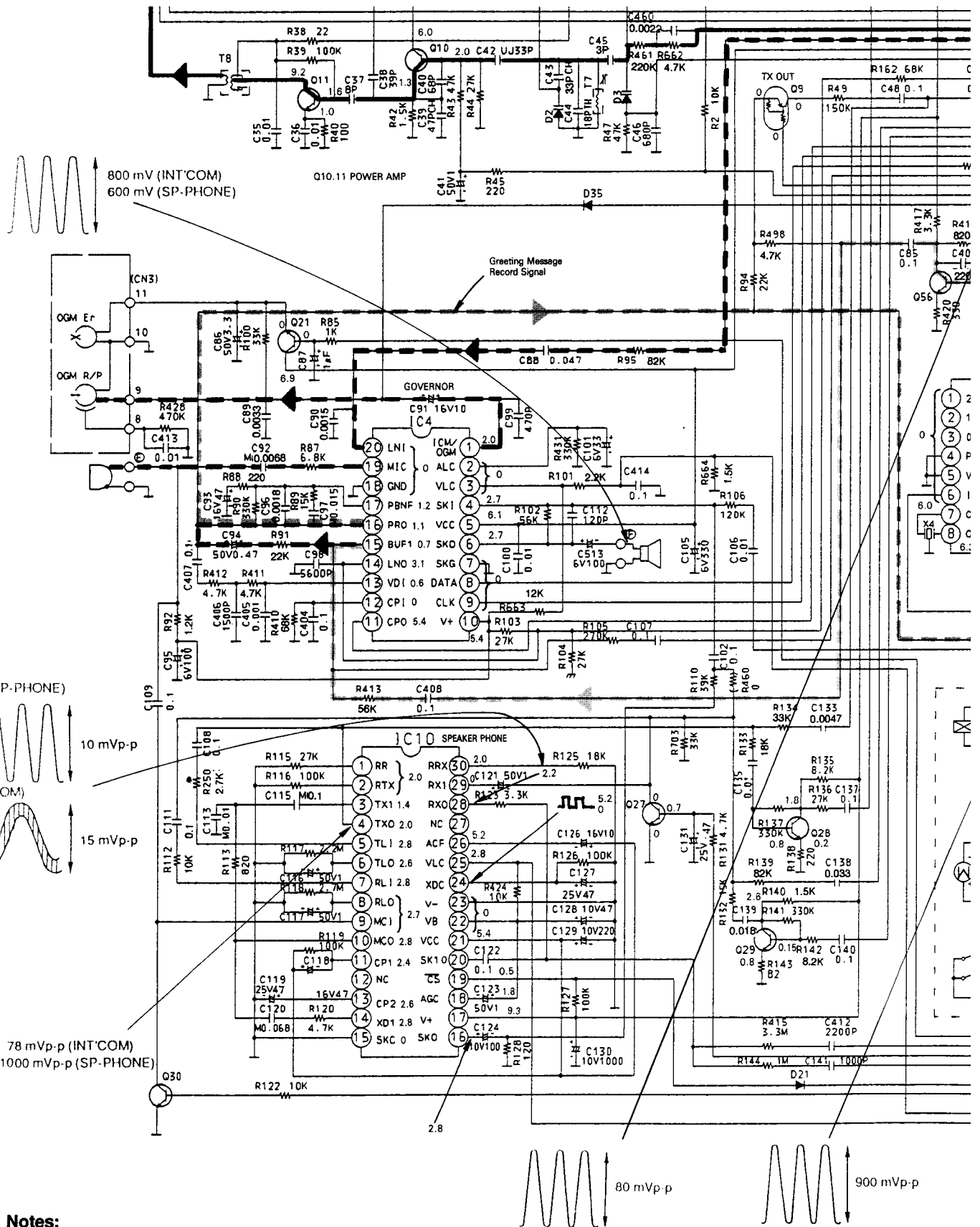
Panasonic

©1994 Kyushu Matsushita Electric Co., Ltd.
 All rights reserved. Unauthorized copying and distribution is a violation of law.

SCHEMATIC DIAGRAM (KX-T4360H)

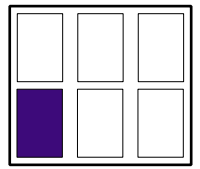


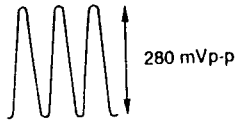
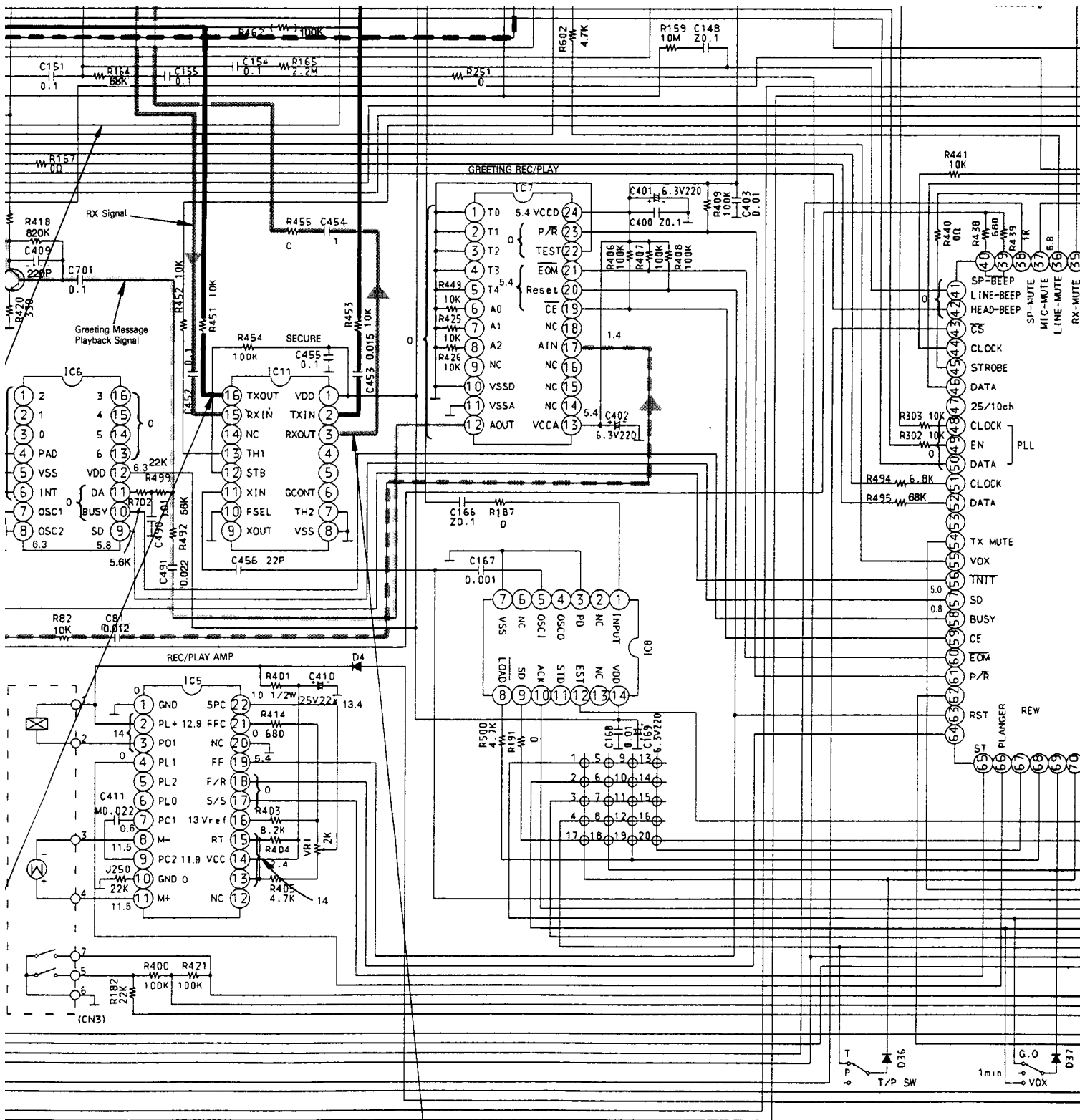




Notes:

- | | | |
|---------------------------------------|--|-------------------------------|
| 1. S1: Dialing Mode Selector Switch | 7. S602: Volume (Down) Selector Switch | 13. S608: Speakerphone Switch |
| 2. S2: Ringer Selector Switch | 8. S603: Hold Switch | 14. S609: Answer On Switch |
| 3. S3: Recording Time Selector Switch | 9. S604: Mute Switch | 15. S610: All Message Switch |
| 4. S101: Reed Switch | 10. S605: Greeting Record switch | 16. S611: Stop Switch |
| 5. S102: Position Switch | 11. S606: Greeting Check Switch | 17. S612: Time Check Switch |
| 6. S601: Volume (Up) Selector Switch | 12. S607: ICM Erase Switch | 18. S613: Memo/2Way Switch |

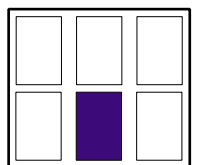


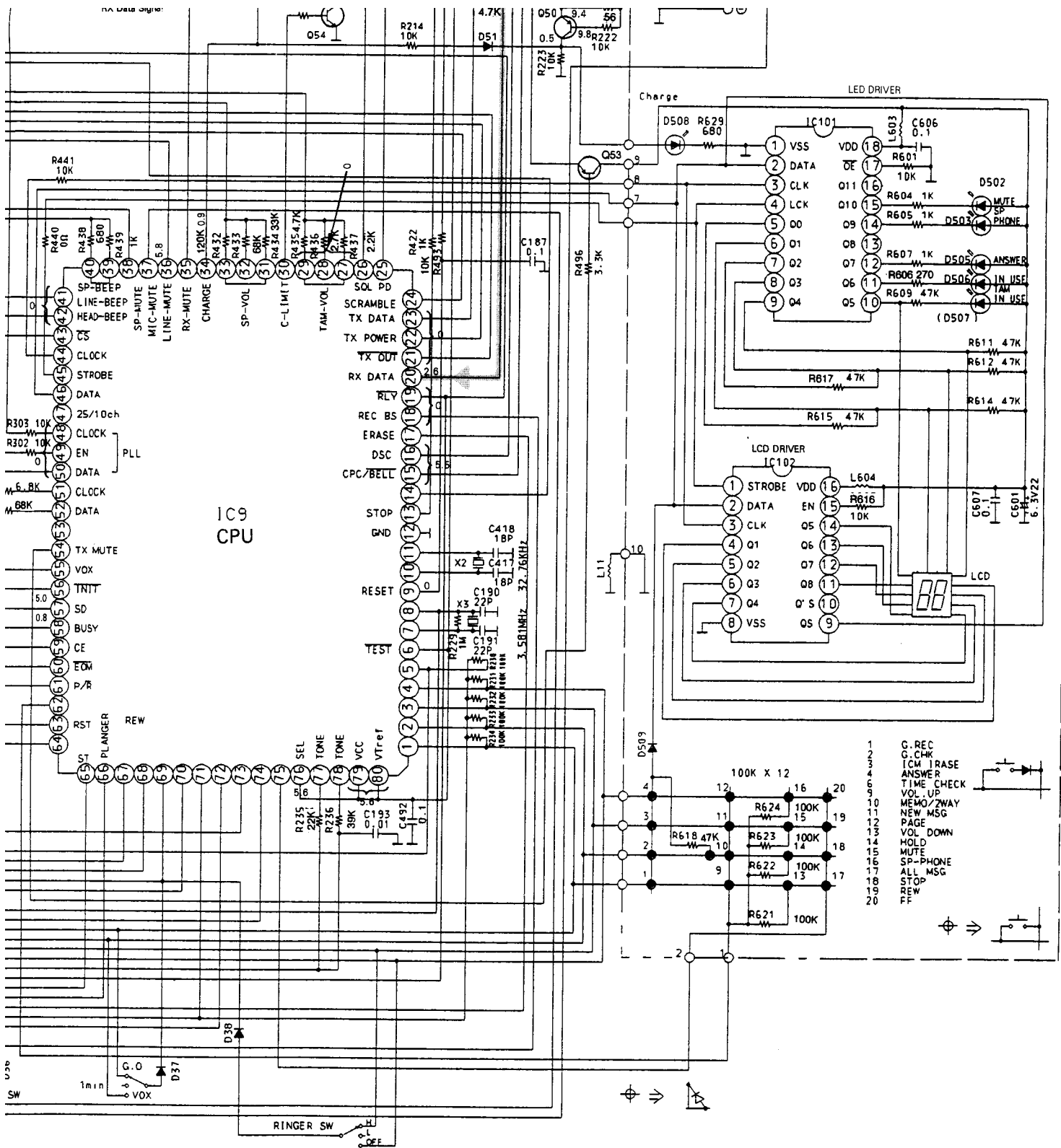


- 19. S614: FF/Skip Switch
- 20. S615: Rew/Repeat Switch
- 21. S616: New Message Switch
- 22. S617: Pae/Intercom Switch
- 23. DC voltage measurements are taken with voltmeter from the negative voltage line.

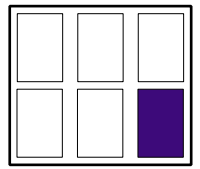
Important Safety Notice
 The shaded area on this schematic diagram incorporates special features important for protection from fire and electrical shock hazards. When servicing, it is essential that only manufacturer's specified parts be used for the critical components in the shaded areas of the schematic.

This schematic diagram m at any time with developm technology.

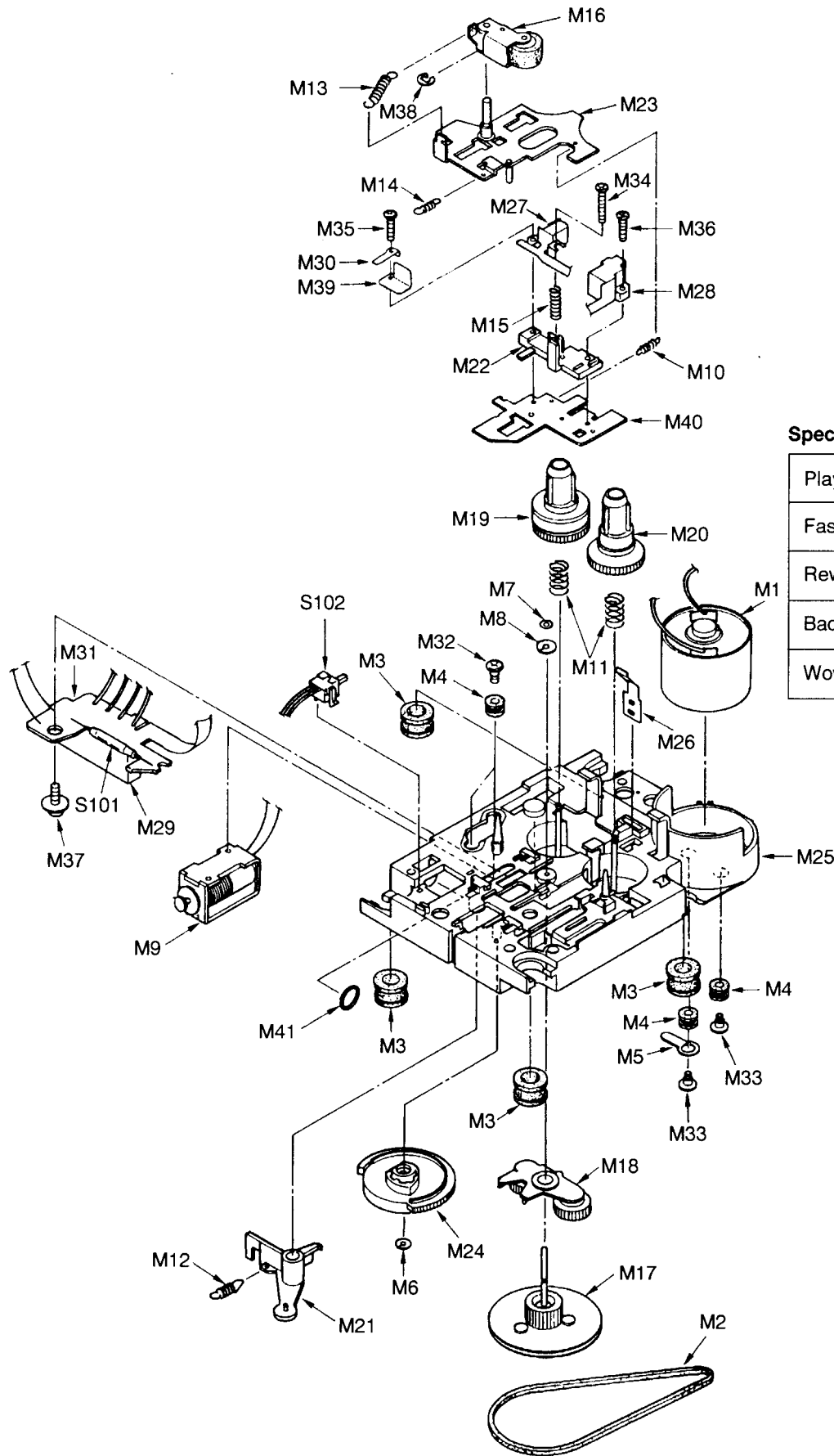




This schematic diagram may be modified
 it any time with development of new
 ecnology.



CASSETTE DECK PARTS LOCATION



Actual Size of Screws

| Ref No. | Figure |
|---------|--------|
| M32 | |
| M33 | |
| M34 | |
| M35 | |
| M36 | |
| M37 | |

Specifications

| | |
|---------------------|----------------|
| Playback torque | 10~20 g · cm |
| Fast forward torque | 10~20 g · cm |
| Rewind torque | 35 g · cm |
| Back tension | 0.5~3.5 g · cm |
| Wow and flutter | 0.65% |

Fig. 71