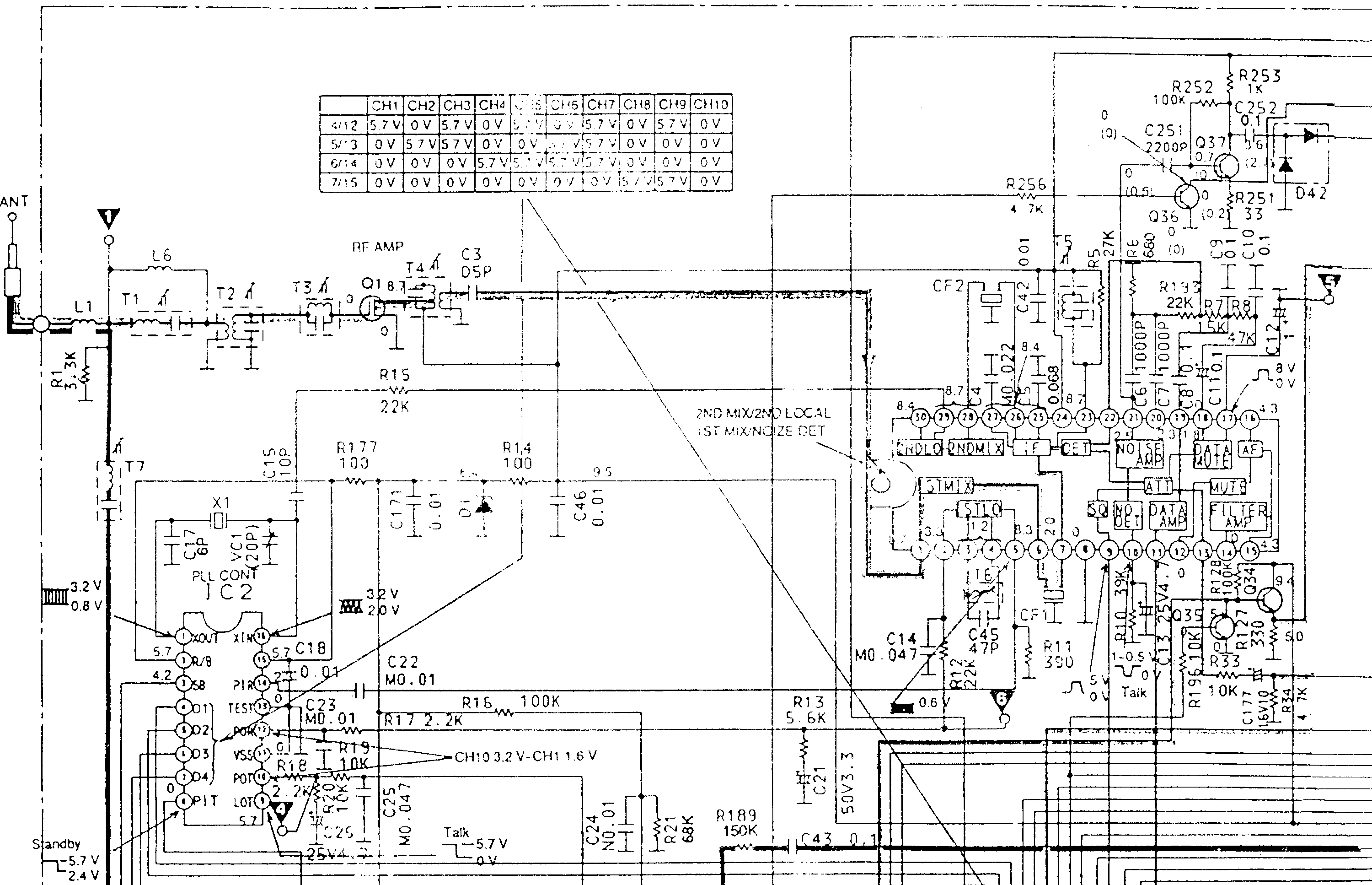
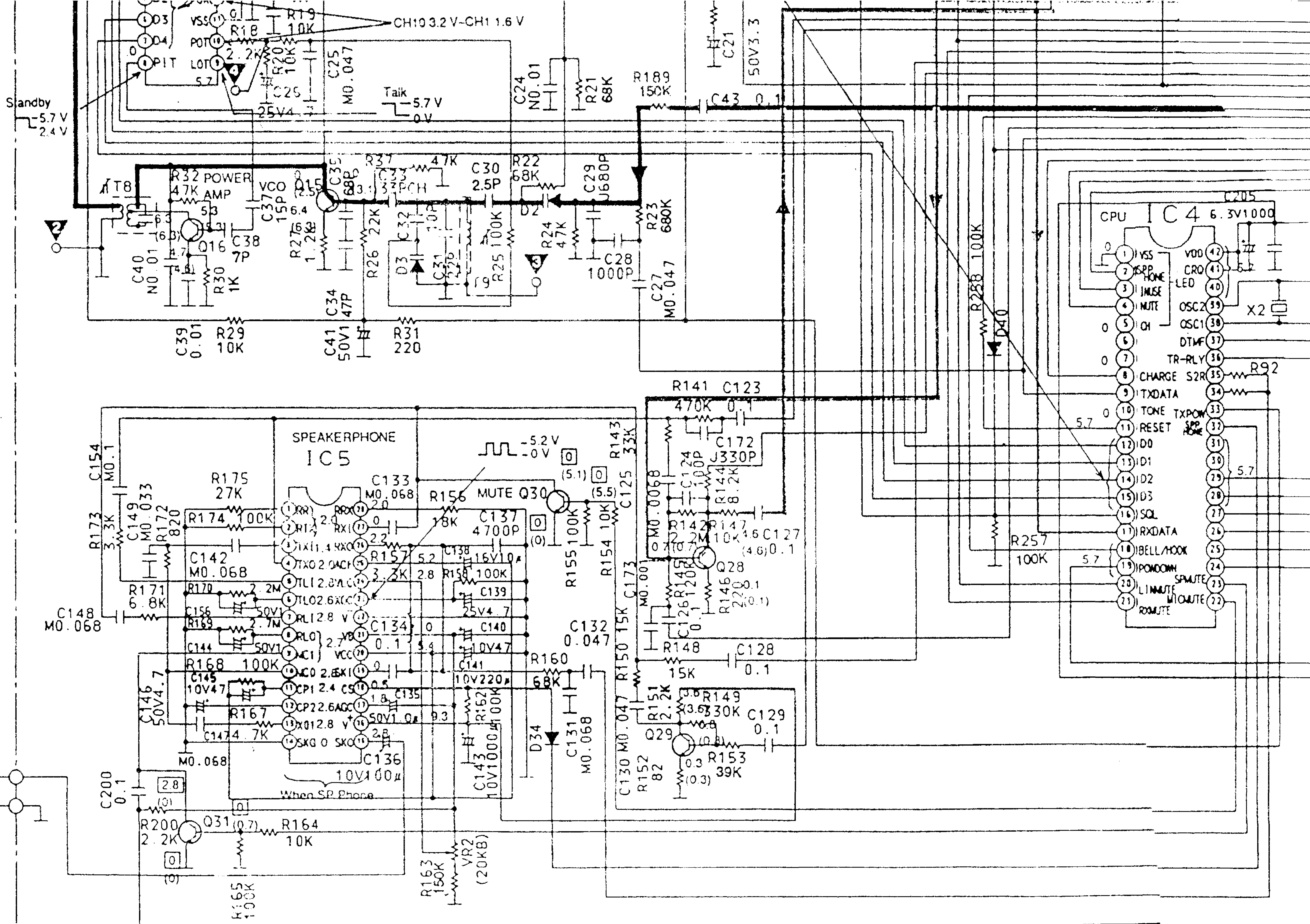
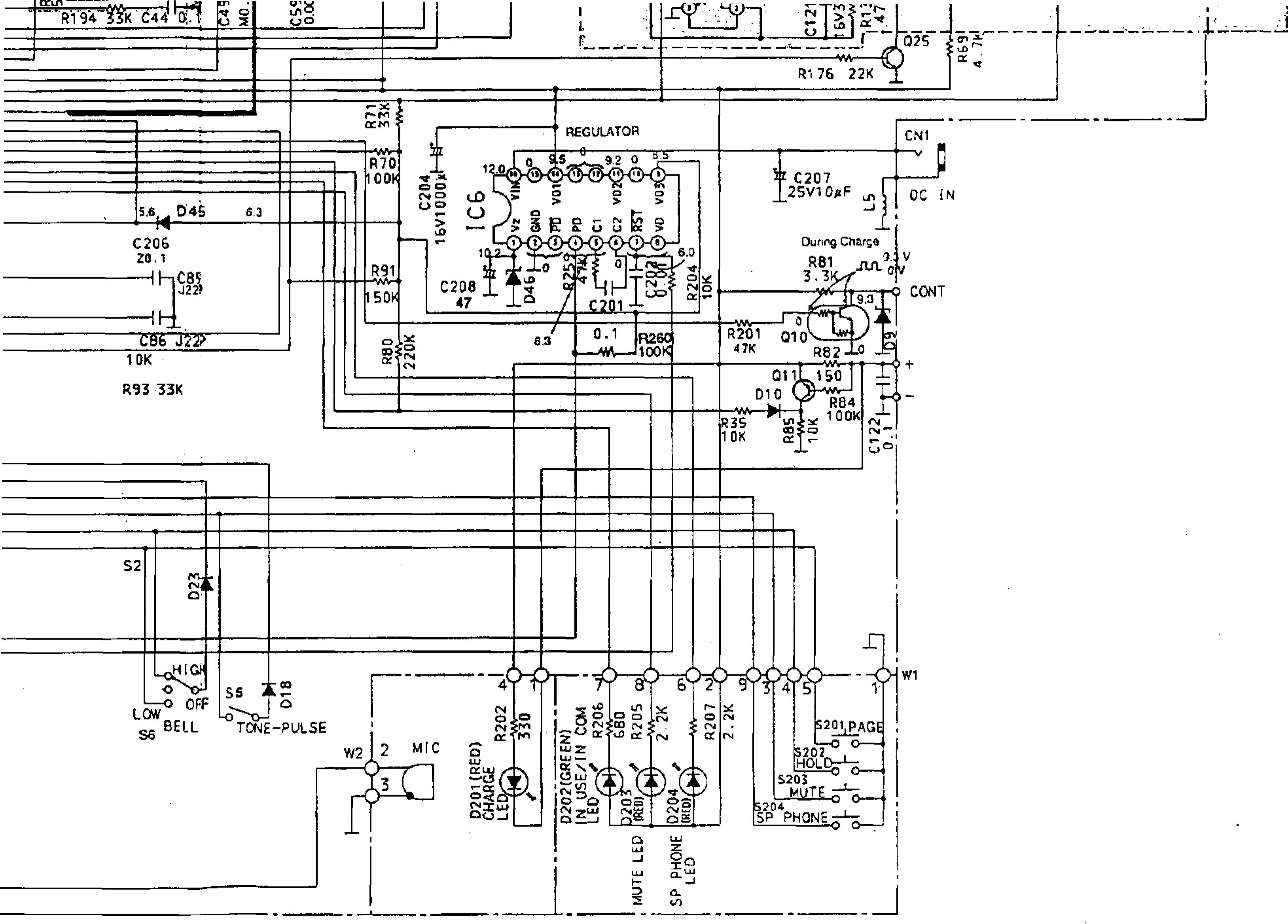


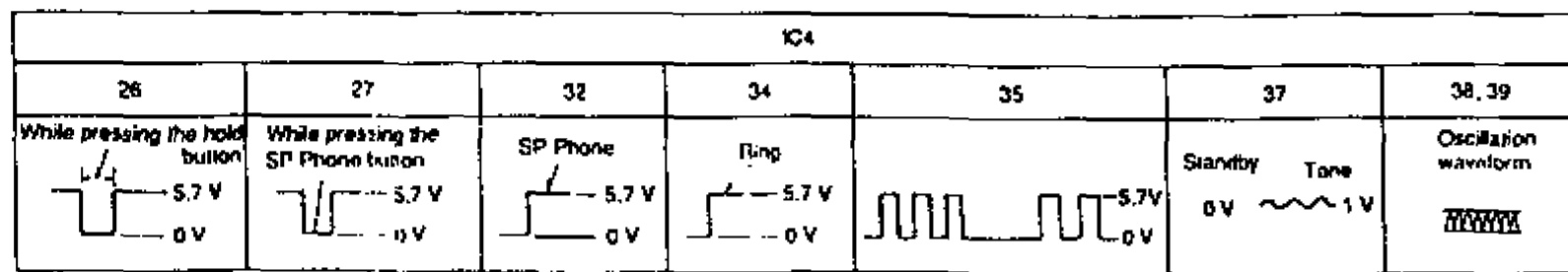
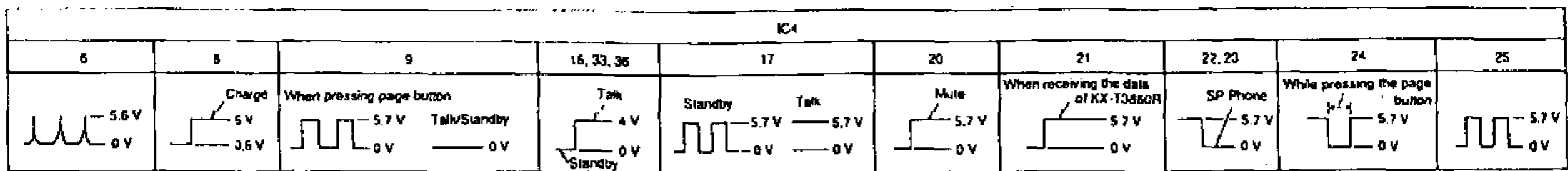
# (KX-T3860H)

	CH1	CH2	CH3	CH4	CH5	CH6	CH7	CH8	CH9	CH10
4/12	5.7V	0V	5.7V	0V	5.7V	0V	5.7V	0V	5.7V	0V
5/13	0V	5.7V	5.7V	0V	0V	5.7V	5.7V	0V	0V	0V
6/14	0V	0V	0V	5.7V	5.7V	5.7V	5.7V	0V	0V	0V
7/15	0V	0V	0V	0V	0V	0V	0V	5.7V	5.7V	0V

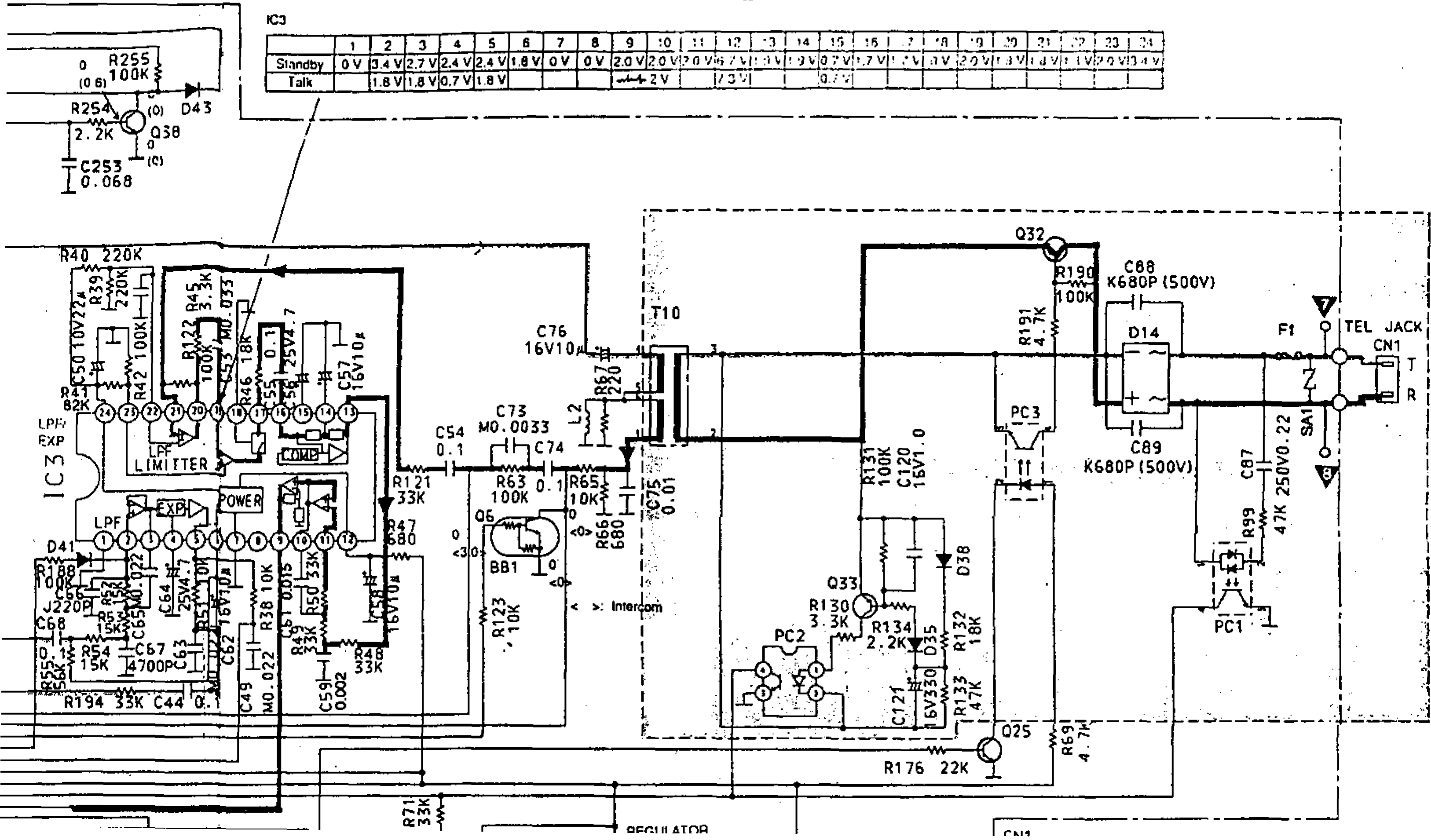






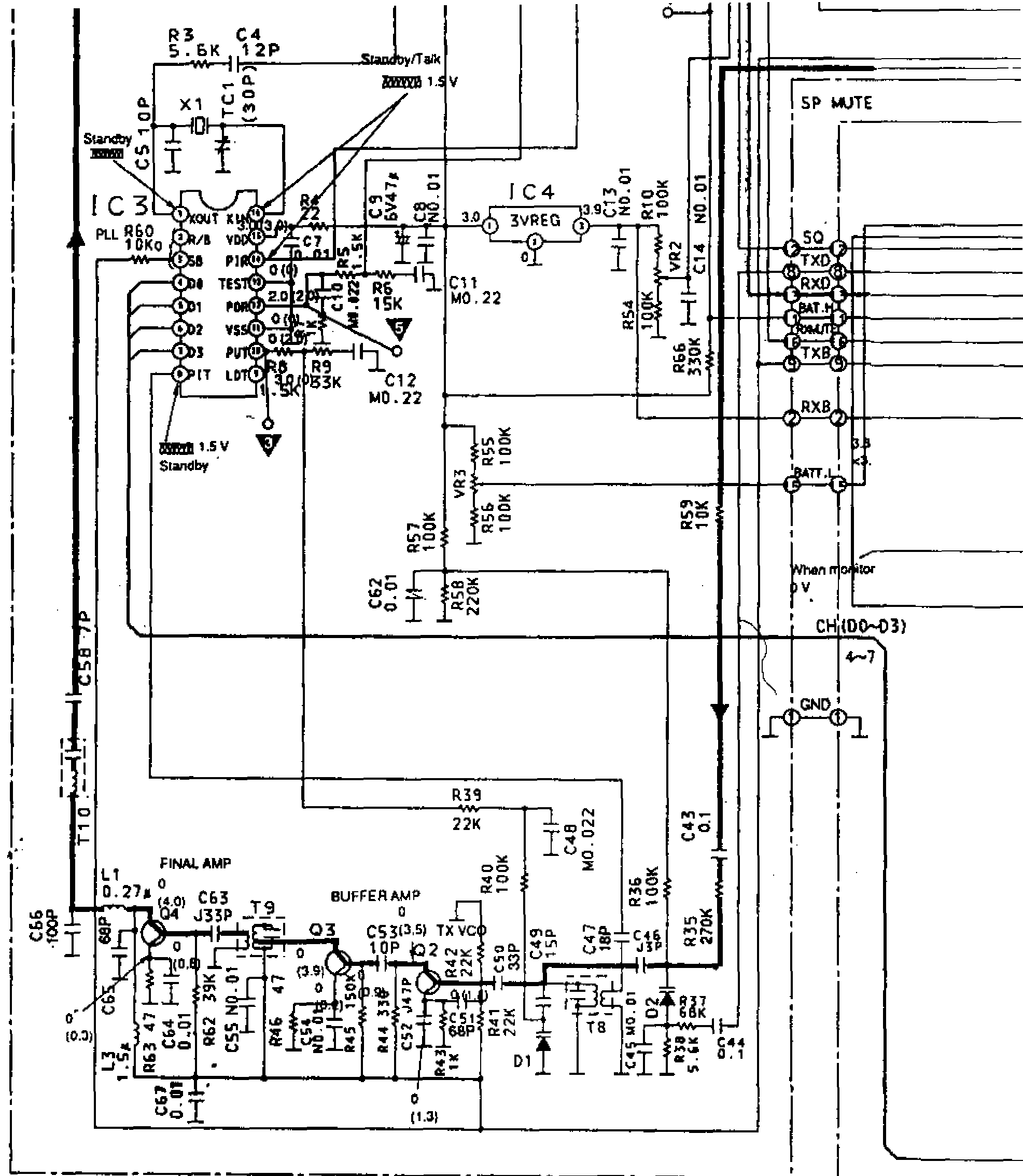


IC3																								
	1	2	3	4	5	6	7	8	9	10	11	12	13	14	15	16	17	18	19	20	21	22	23	24
Standby	0V	3.4V	2.7V	2.4V	2.4V	1.8V	0V	0V	2.0V	2.0V	2.0V	6.7V	3V	3V	0.7V	1.7V	1.7V	0V	2.0V	1.3V	1.0V	1.1V	2.0V	3.4V
Talk		1.8V	1.8V	0.7V	1.8V				2V		7.3V			0.7V										



IC3 pins 4-7, IC101 pins 17-20

	CH1	CH2	CH3	CH4	CH5	CH6	CH7	CH8	CH9	CH10
4/17	3.0V	0V	3.0V	0V	3.0V	0V	3.0V	0V	3.0V	0V
5/18	0V	3.0V	3.0V	0V	0V	3.0V	3.0V	0V	0V	0V
6/19	0V	0V	0V	3.0V	3.0V	3.0V	3.0V	0V	0V	0V
7/20	0V	0V	0V	0V	0V	0V	0V	3.0V	3.0V	0V



# (KX-T3860R)

## Notes:

1. S1: Volume Selector Switch in "HIGH" position.
2. S2: Power/Ringer switch in "OFF" position.

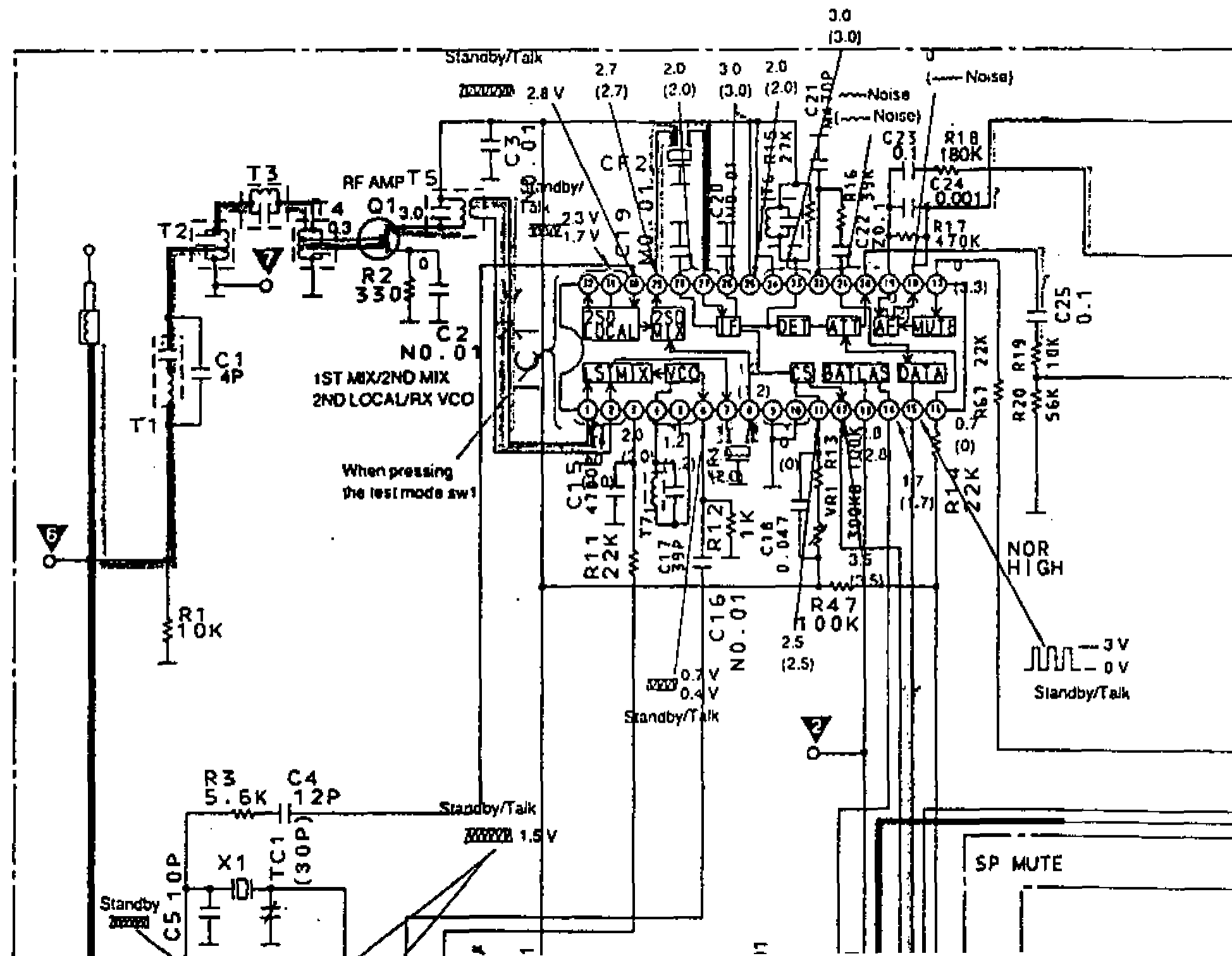
3. DC voltage measurements are taken with electronic voltmeter from negative voltage line.

STANDBY position ( ): Talk position

← TX Signal

← RX Signal

← Data Signal



IC101

1-12, 69-80	13-16	21-24	26	27	28	47	48, 49
Standby 2.7V 1.5V	Talk 2.7V 1.5V	Standby 3.9V 0.3V	Standby 3.9V 2.1V 0.3V	Talk 3.9V 0.3V	Standby 3.7V 0V	Standby 2V	Standby 0V
						While outputting the data 3.5V 0V	While outputting the beep sound 3.5V 0V

IC101				
50	52	53	58	58, 59
Standby 3V 0V	When receiving the data of KX-T3860H 3V	LCD indicate + [LED] + [LED] 3.5V 0V	Batt. LED ON 3.0V	Batt. LED Flashing 0V
			Standby 3.4V	Standby 2.7V 0.4V 3.992 MHz

