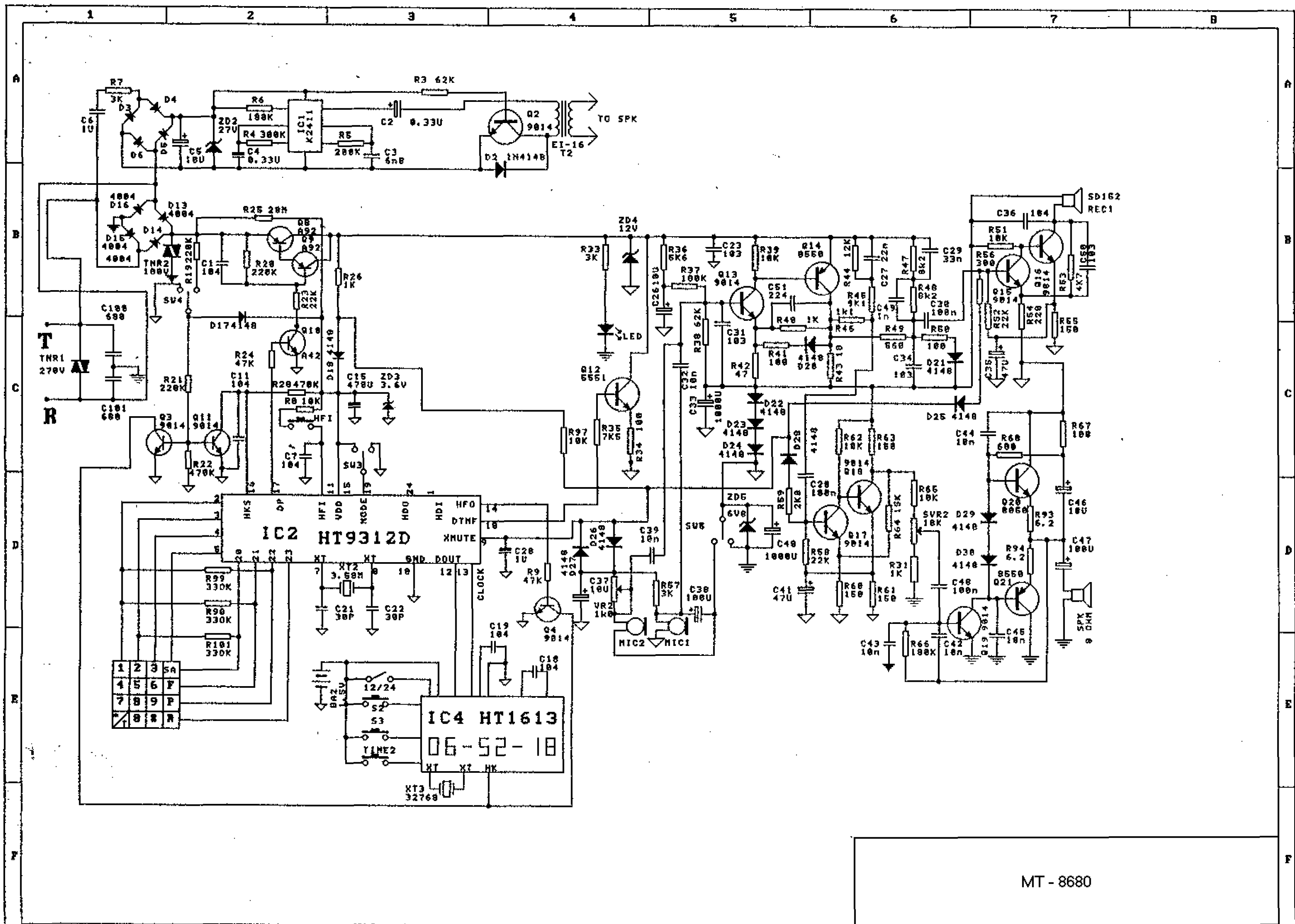


MT - 8680



MT - 8680