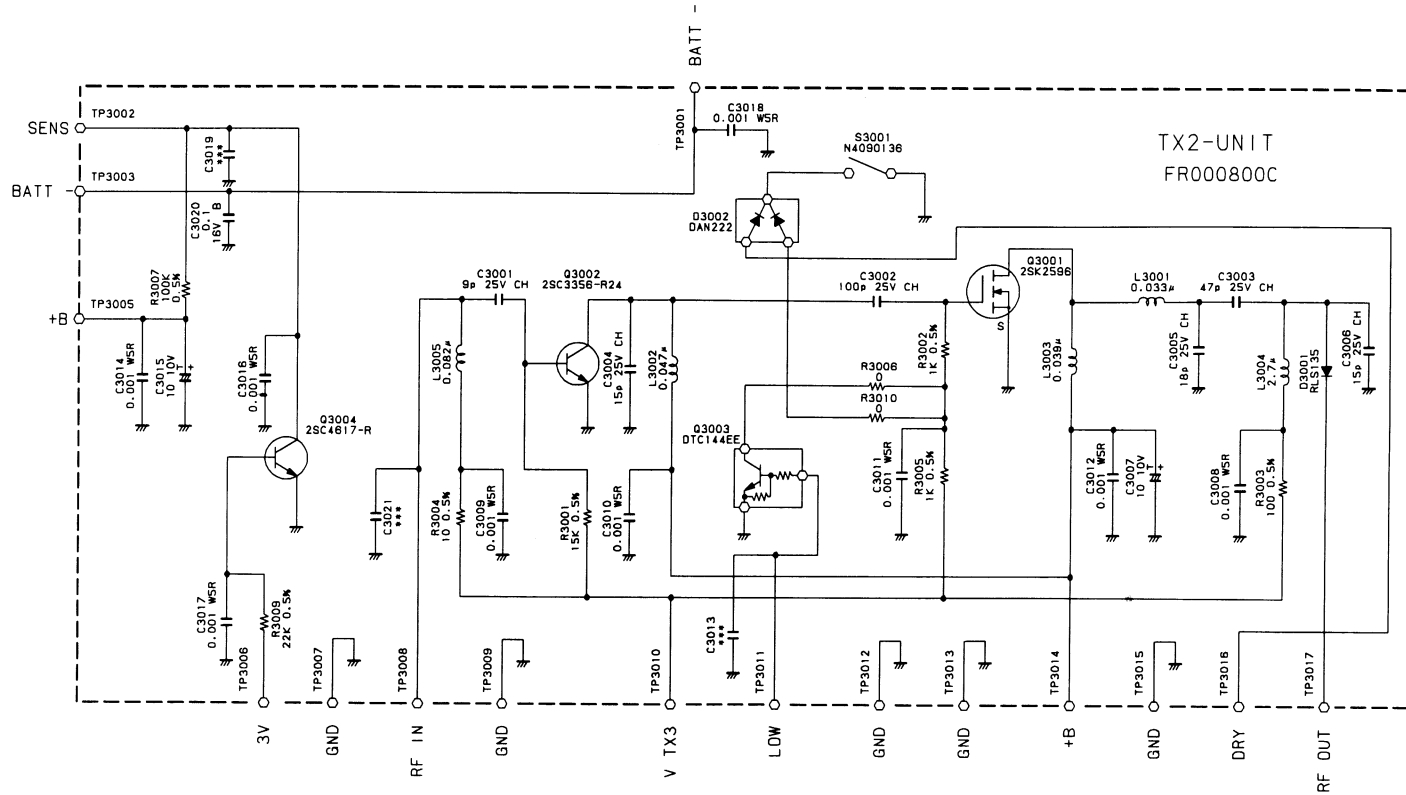
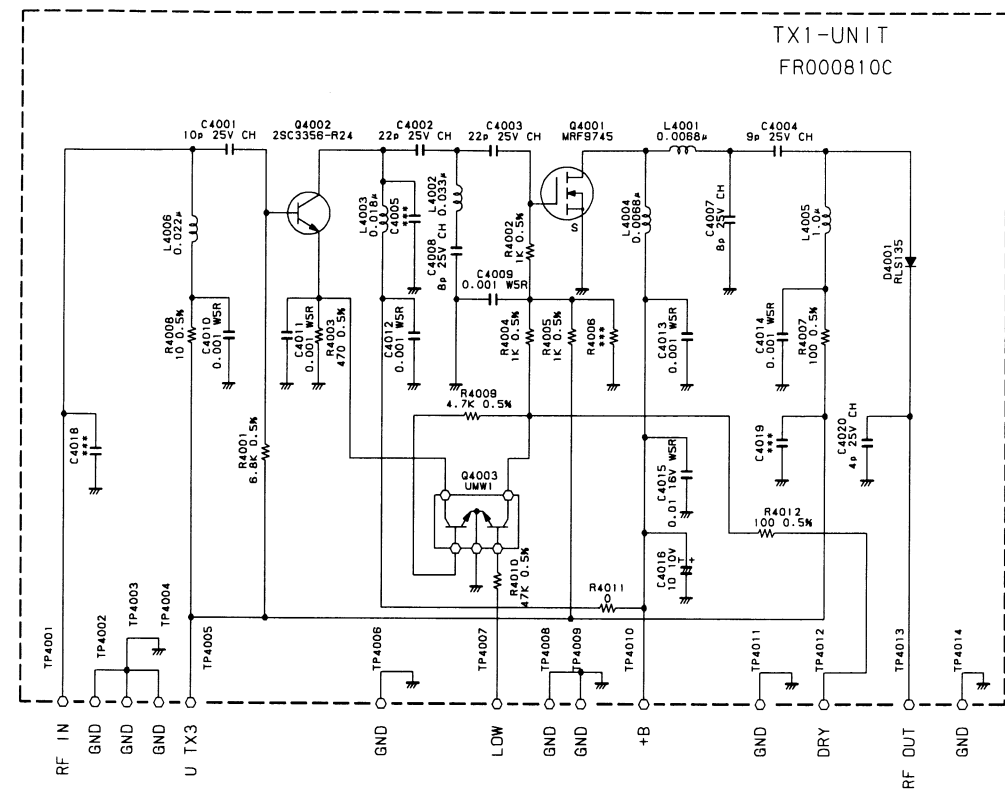


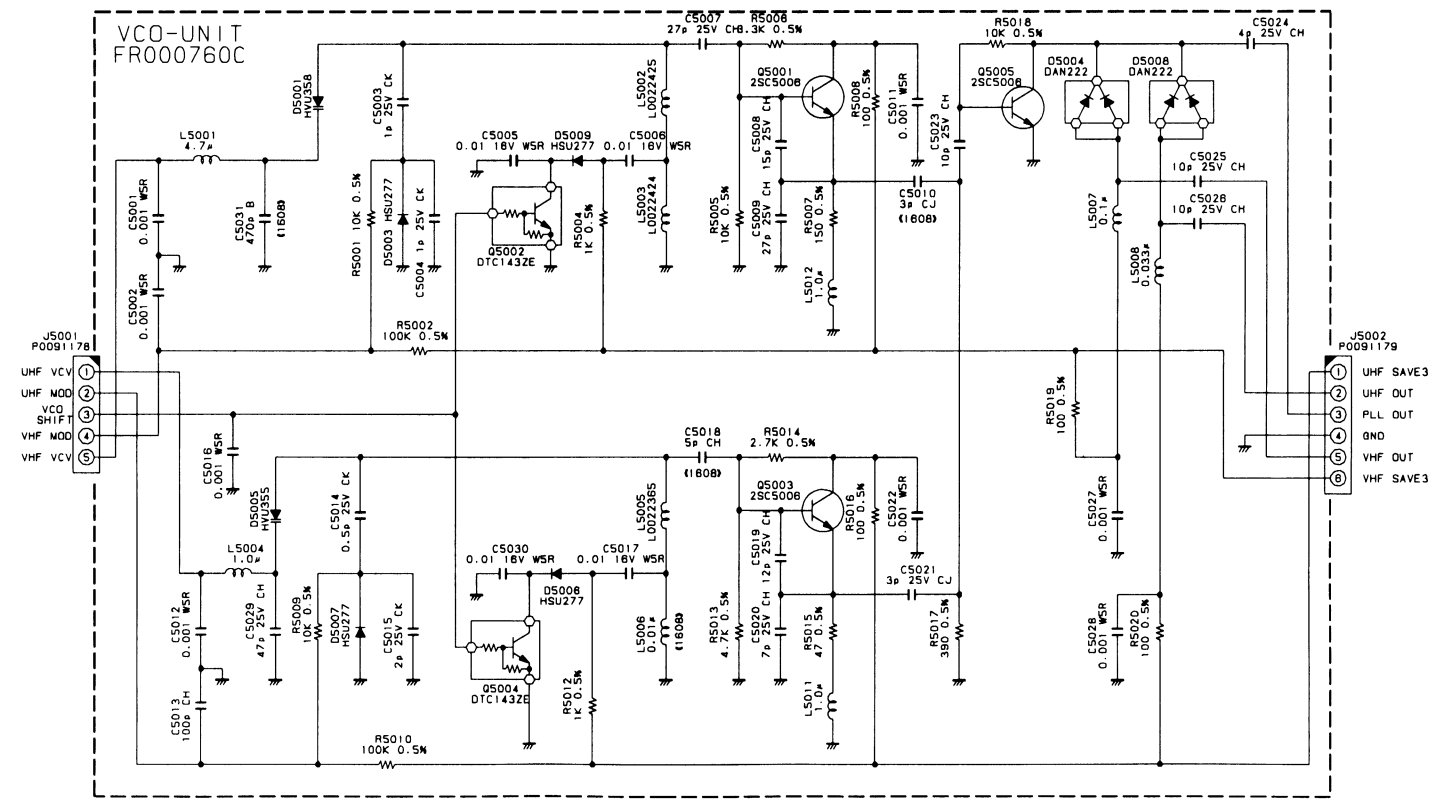
VX-1R Circuit Diagram



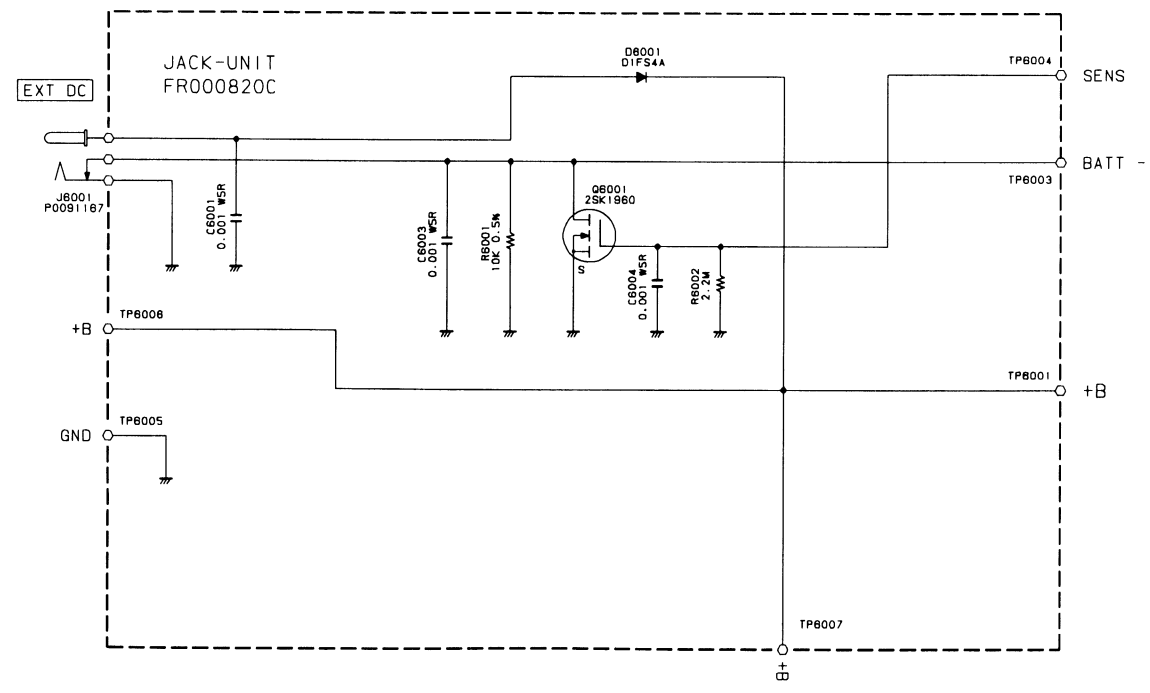
NOTE:  
RESISTOR VALUES ARE IN Ω, 1/16W ;  
CAPACITOR VALUES ARE IN μF, 50V ;  
(T) CAPACITOR VALUES ARE TANTALUM ;  
INDUCTOR VALUES ARE IN H  
UNLESS OTHERWISE NOTED.



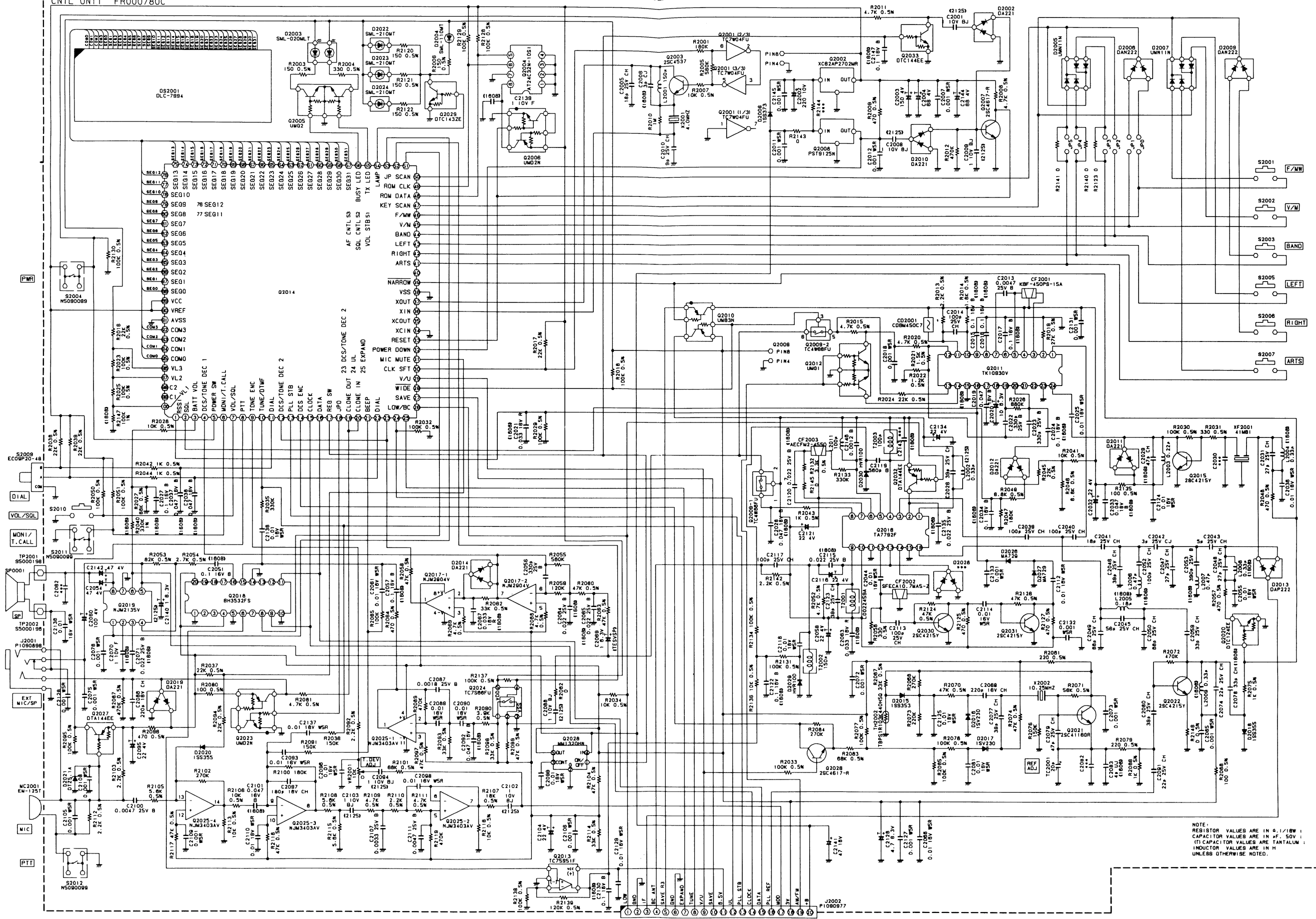
NOTE:  
RESISTOR VALUES ARE IN Ω, 1/16W ;  
CAPACITOR VALUES ARE IN μF, 50V ;  
(T) CAPACITOR VALUES ARE TANTALUM ;  
INDUCTOR VALUES ARE IN H  
UNLESS OTHERWISE NOTED.



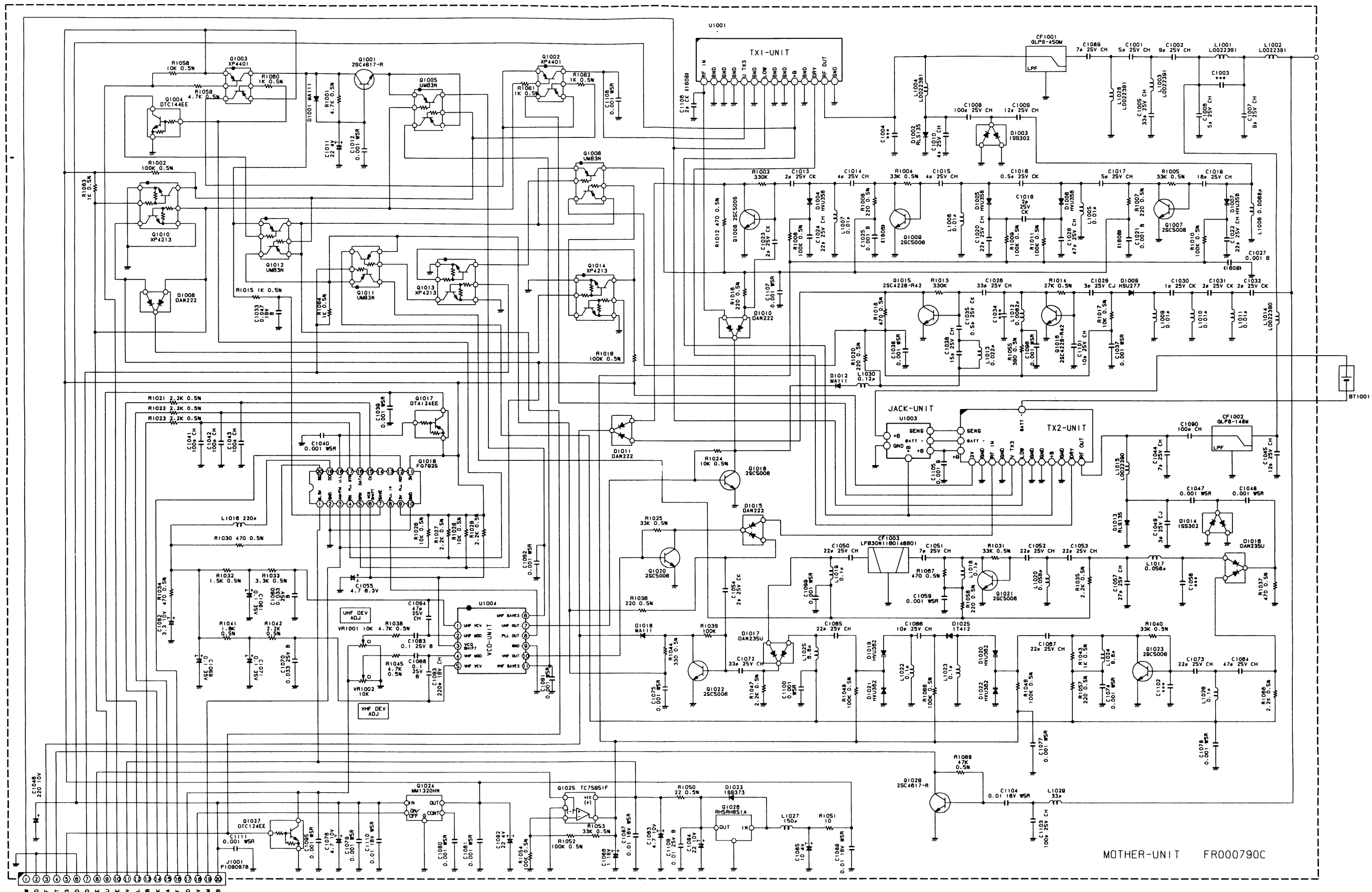
NOTE:  
RESISTOR VALUES ARE IN Ω, 1/16W ;  
CAPACITOR VALUES ARE IN μF, 50V ;  
(T) CAPACITOR VALUES ARE TANTALUM ;  
INDUCTOR VALUES ARE IN H  
UNLESS OTHERWISE NOTED.



NOTE:  
RESISTOR VALUES ARE IN Ω, 1/16W ;  
CAPACITOR VALUES ARE IN μF, 50V ;  
(T) CAPACITOR VALUES ARE TANTALUM ;  
INDUCTOR VALUES ARE IN H  
UNLESS OTHERWISE NOTED.



NOTE: RESISTOR VALUES ARE IN Ω, 1KΩ, 10KΩ, 100KΩ, 1MΩ; CAPACITOR VALUES ARE IN pF, 50V UNLESS OTHERWISE NOTED.



MOTHER-UNIT FR000790C

NOTE:  
 RESISTOR VALUES ARE IN Ω, 10<sup>3</sup> Ω, 10<sup>4</sup> Ω, 10<sup>5</sup> Ω;  
 CAPACITOR VALUES ARE IN pF, 10<sup>3</sup> pF, 10<sup>4</sup> pF, 10<sup>5</sup> pF;  
 (T) CAPACITOR VALUES ARE TANTALUM;  
 INDUCTOR VALUES ARE IN H  
 UNLESS OTHERWISE NOTED.