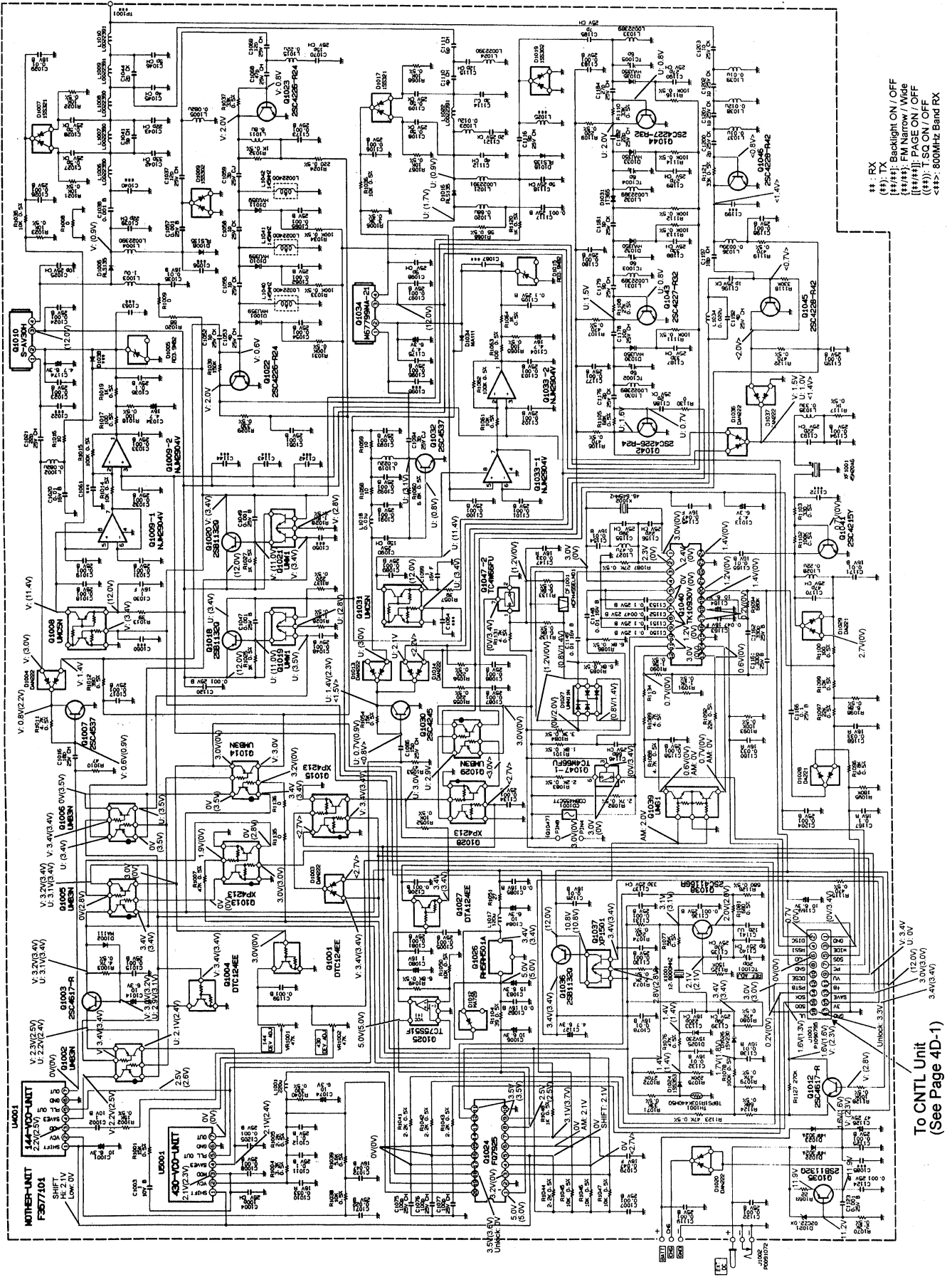


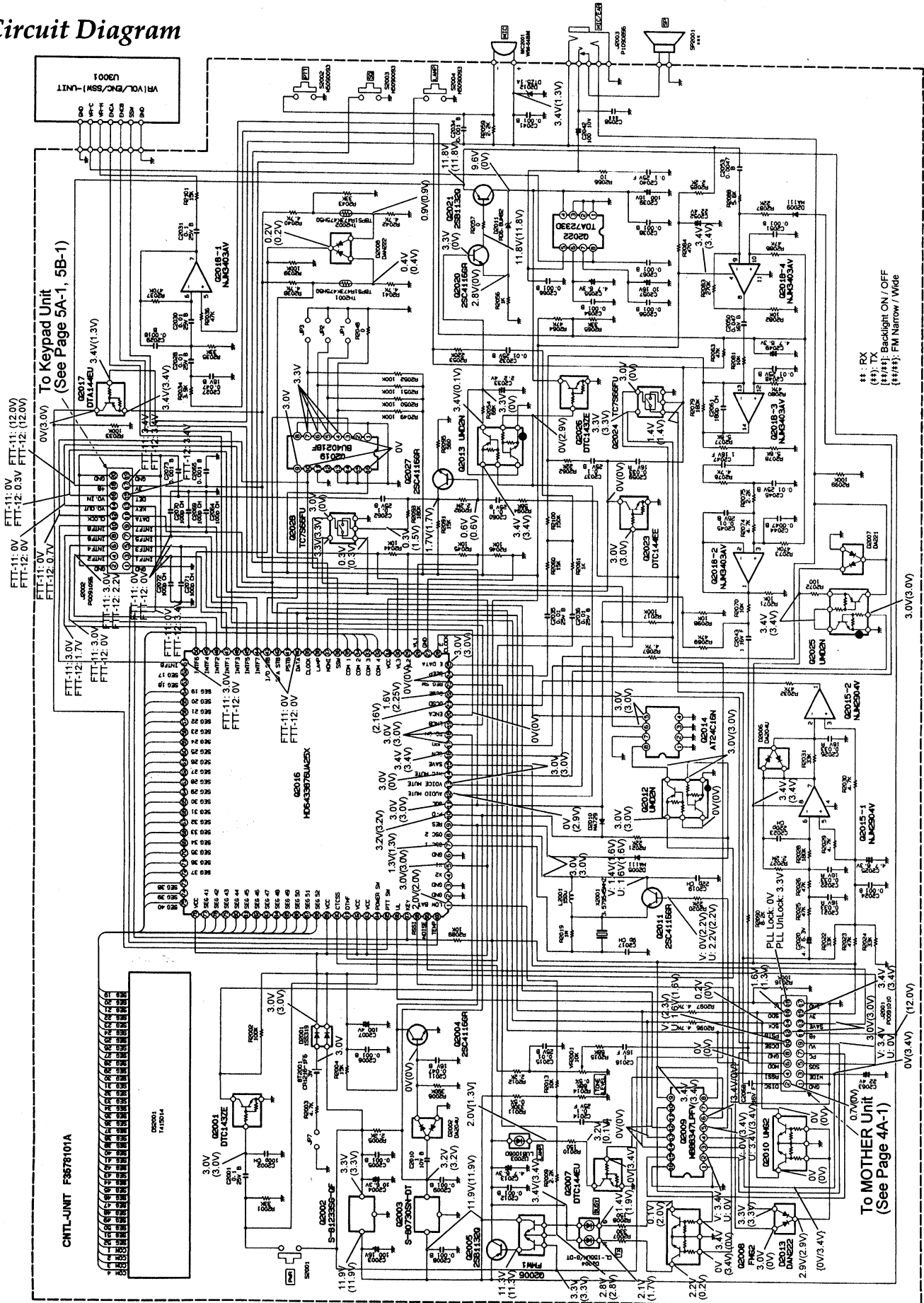
Circuit Diagram



: RX
: TX
: Backlight ON / OFF
: FM Narrow / Wide
: PAGE ON / OFF
: T-SQ ON / OFF
: 800MHz Band RX

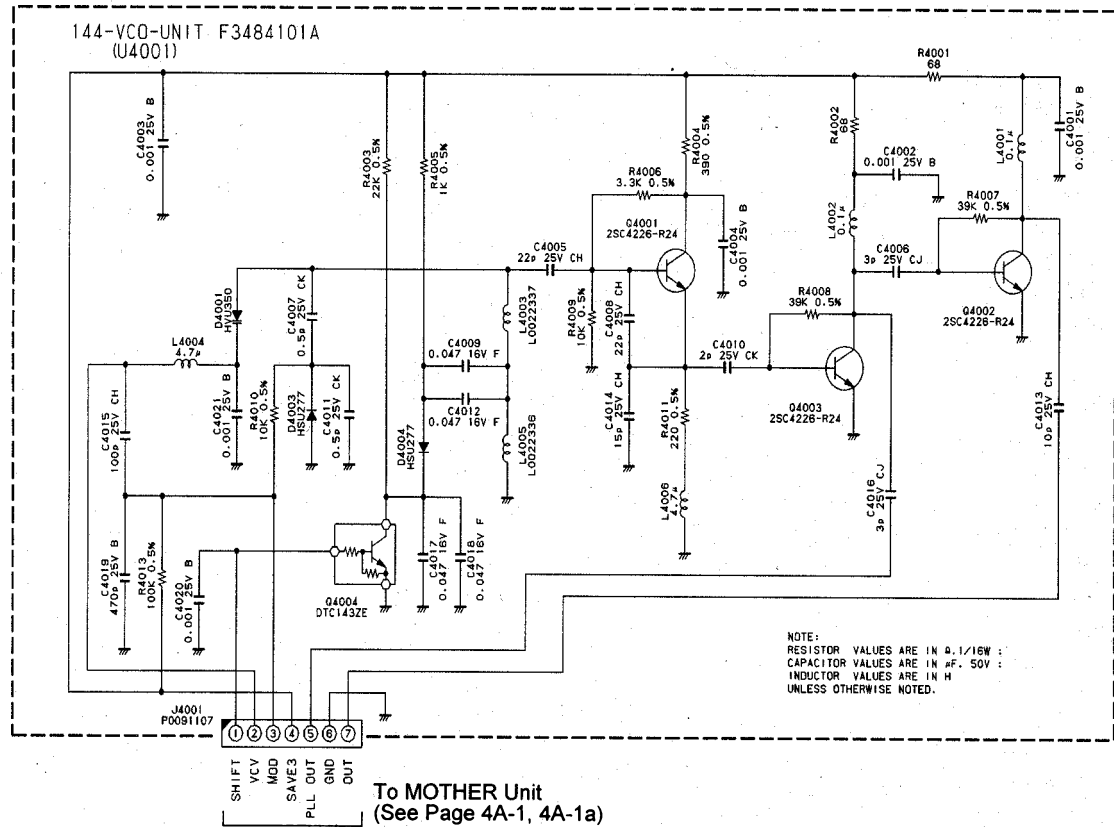
To CNTL Unit
(See Page 4D-1)

Circuit Diagram



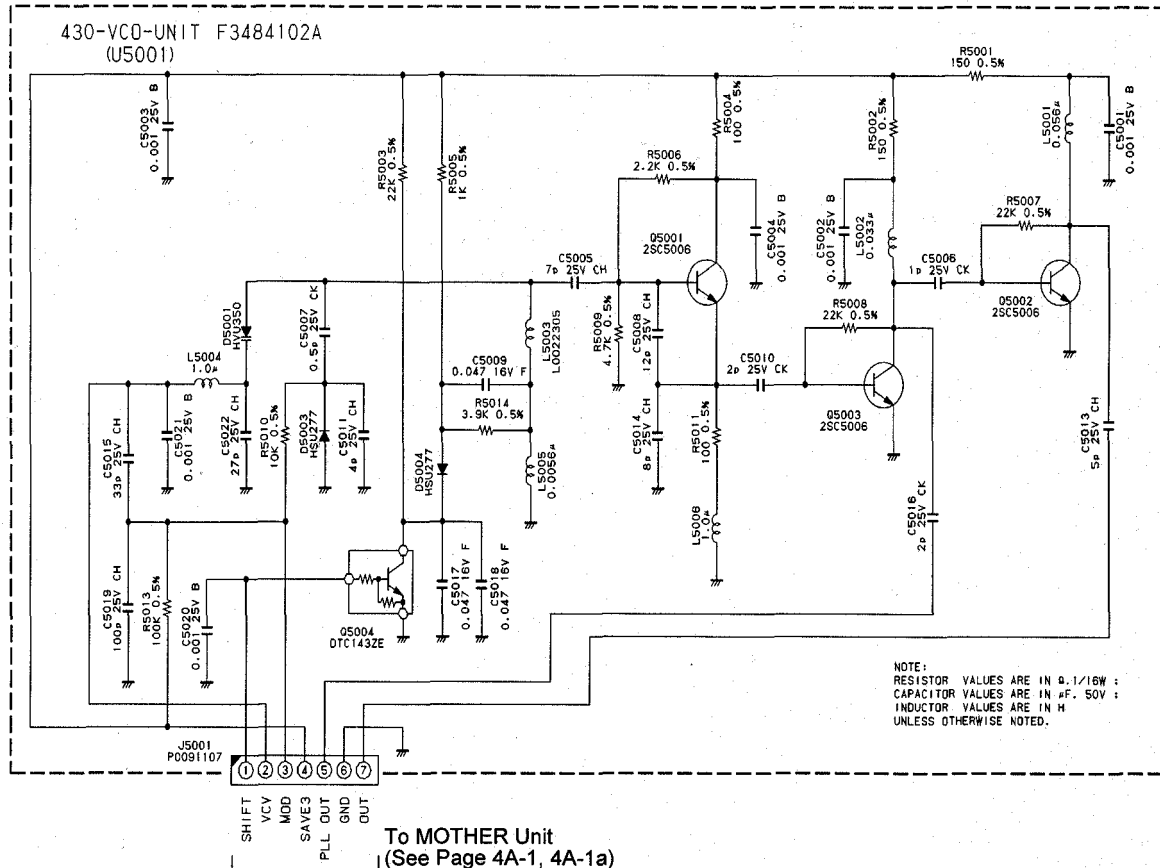
144-VCO Unit

Circuit Diagram

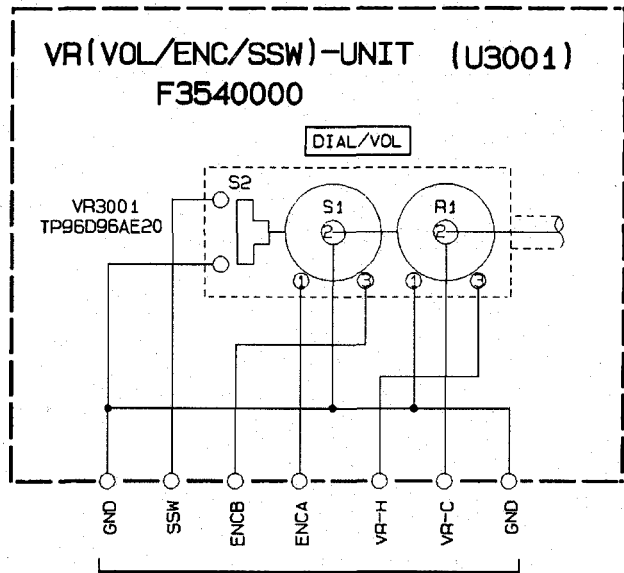


430-VCO Unit

Circuit Diagram



Circuit Diagram



To CNTL Unit
(See Page 4D-1, 4D-1a)

FTT-12 Digital Voice Keypad

Circuit Diagram

