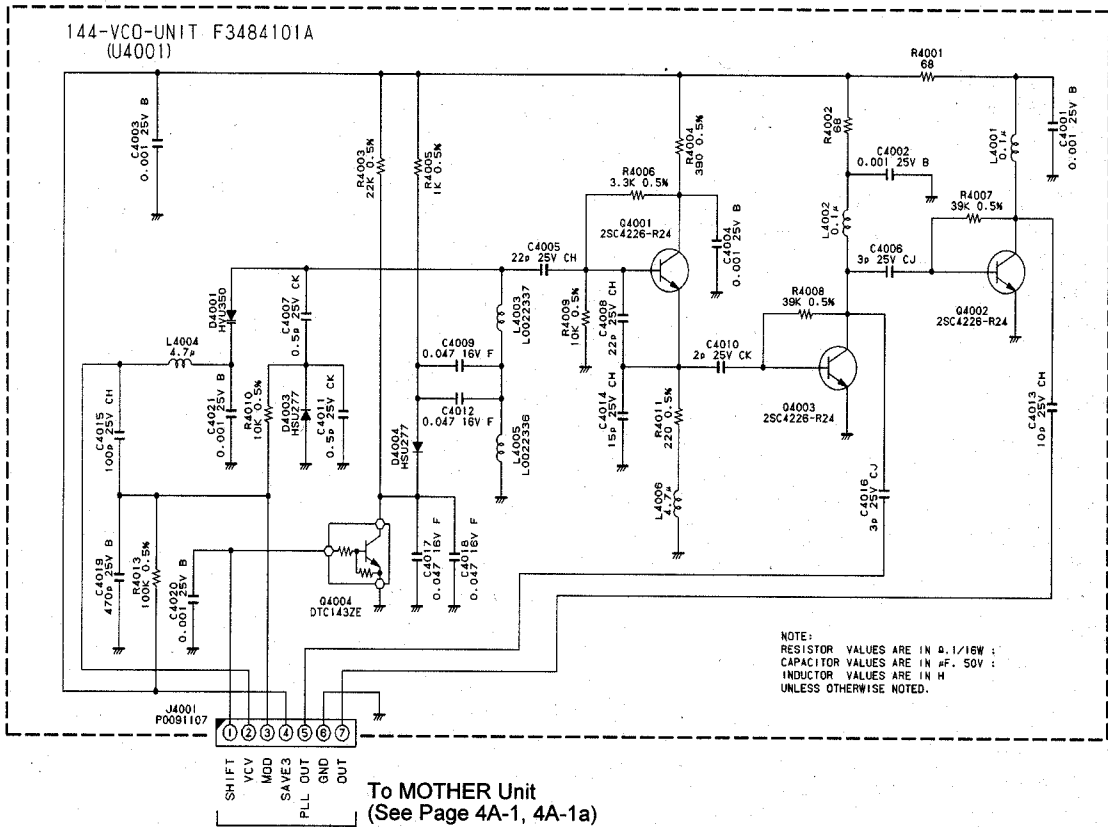


##: RX
(**): TX
[##]: Backlight ON / OFF
[**]: FM Narrow / Wide
[[**]]: PAGE ON / OFF
[[**]]: T.SQ ON / OFF
<[**]>: 800MHz Band RX

To CNTL Unit
(See Page 4D-1)

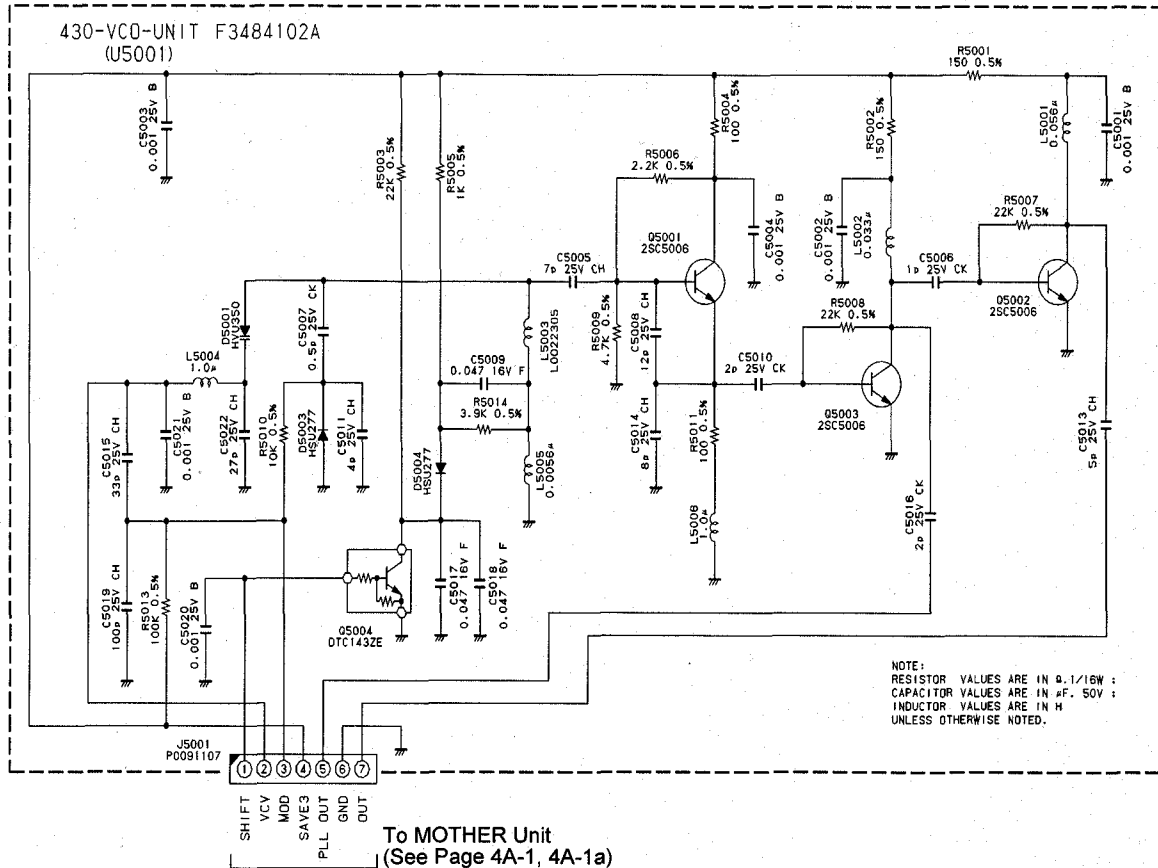
144-VCO Unit

Circuit Diagram

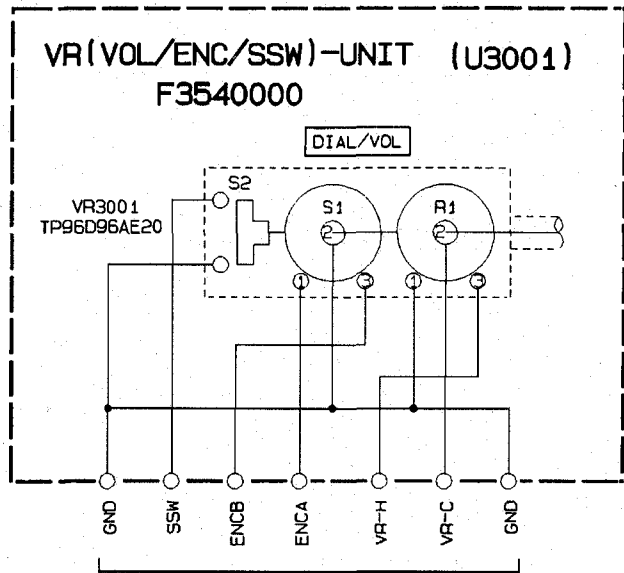


430-VCO Unit

Circuit Diagram



Circuit Diagram



To CNTL Unit
(See Page 4D-1, 4D-1a)

