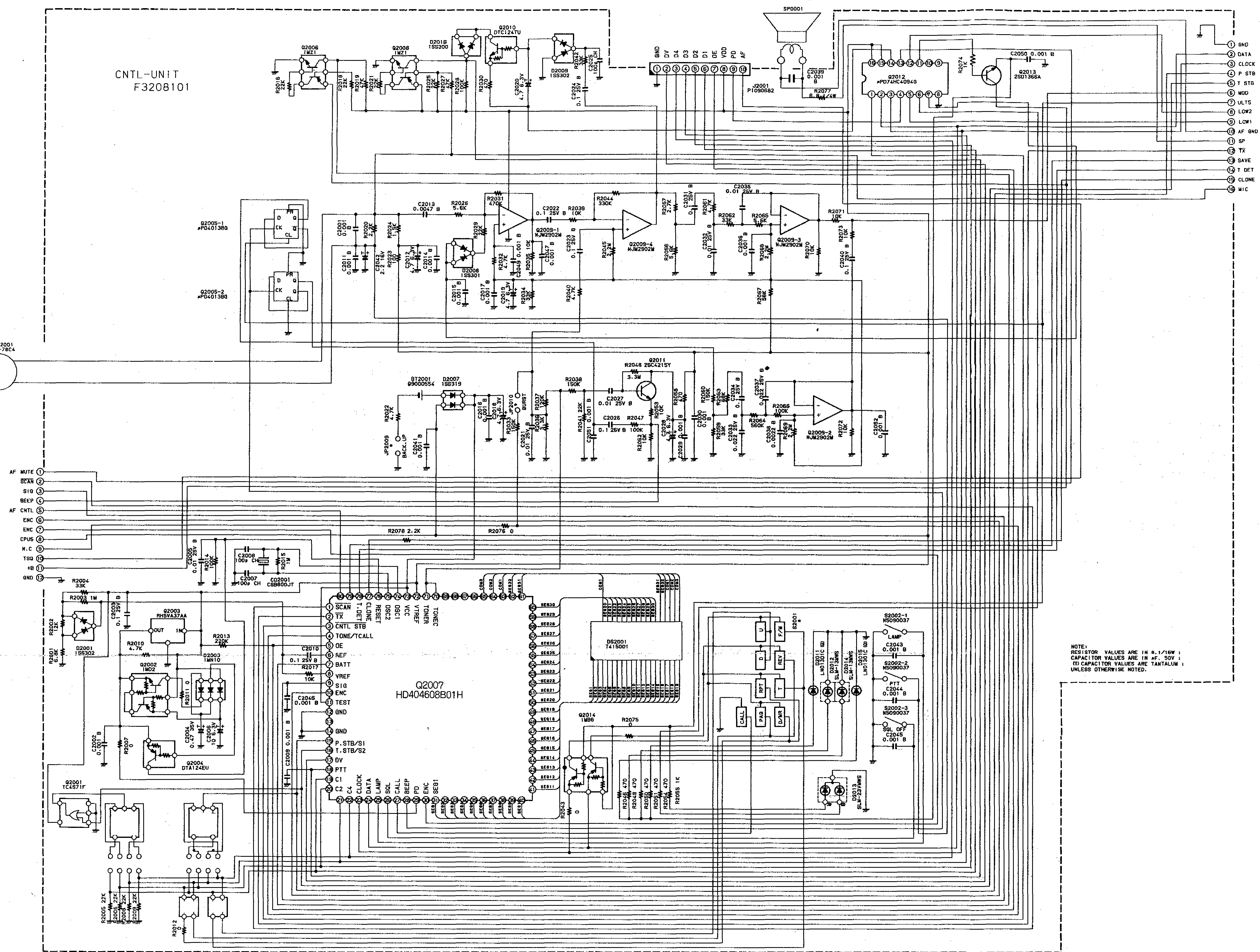


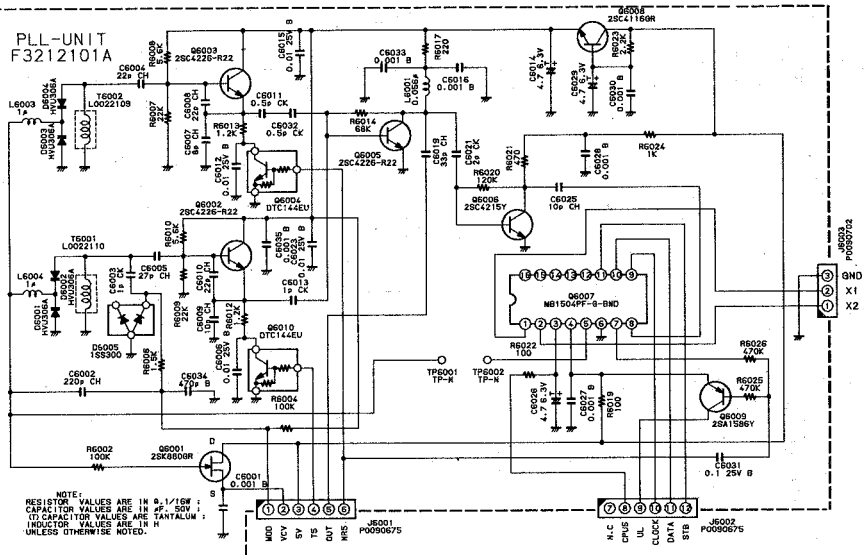
CNTL-UNIT  
F3208101



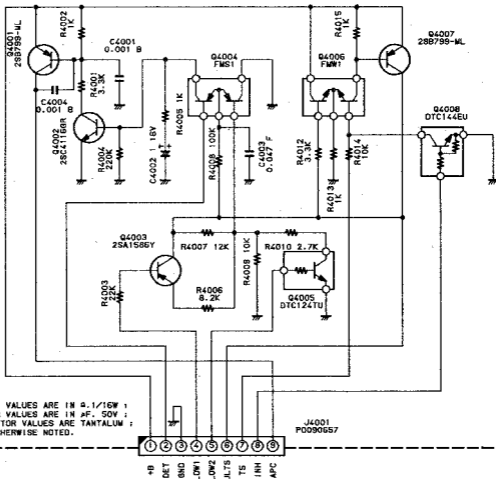
NOTE:  
RESISTOR VALUES ARE IN Ω, 1/16W ;  
CAPACITOR VALUES ARE IN μF, 50V ;  
T) CAPACITOR VALUES ARE TANTALUM ;  
UNLESS OTHERWISE NOTED.



# PLL-UNIT F3212101A

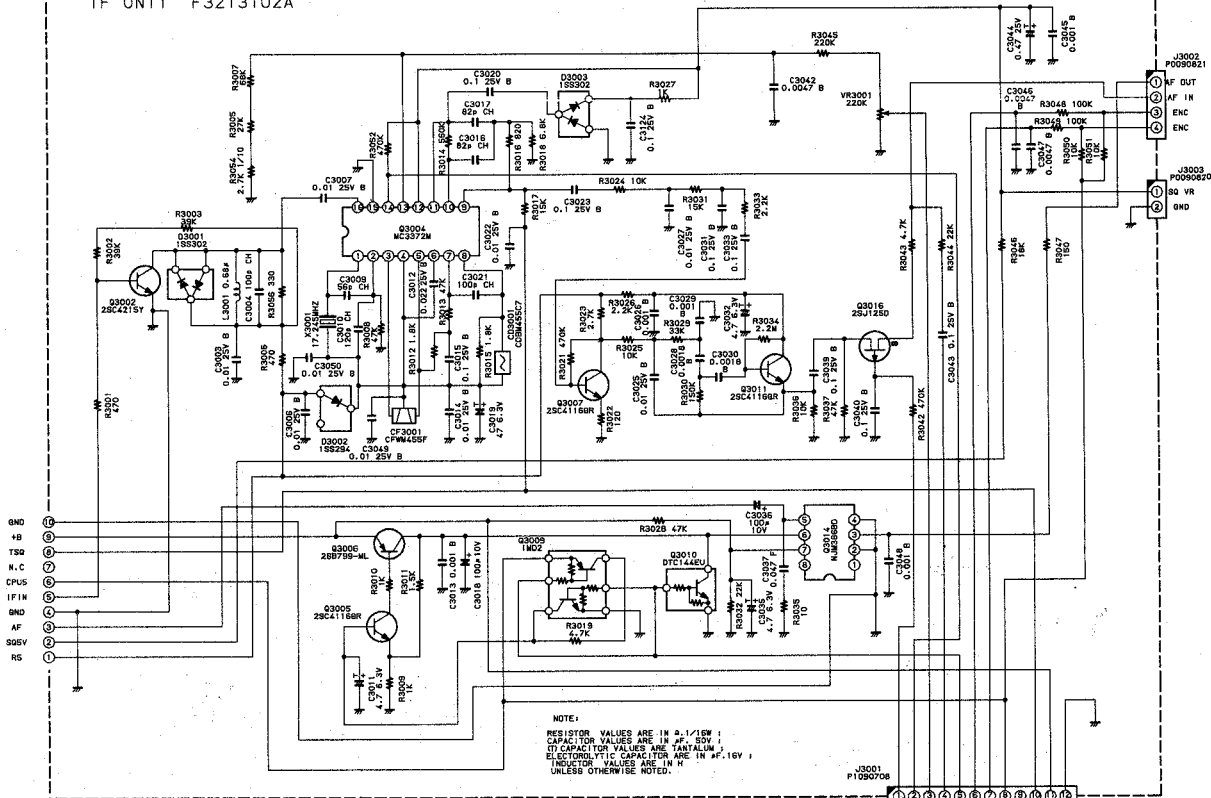


# APC-UNIT F3212102A



NOTE:  
 RESISTOR VALUES ARE IN Ω, 1/10W ;  
 CAPACITOR VALUES ARE IN μF, 50V ;  
 (T) CAPACITOR VALUES ARE TANTALUM ;  
 UNLESS OTHERWISE NOTED.

IF UNIT F3213102A

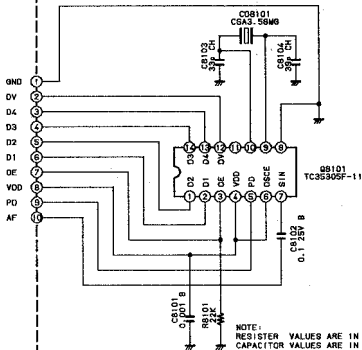


NOTE:  
 RESISTOR VALUES ARE IN Ω, 1/10Ω,  
 CAPACITOR VALUES ARE IN pF, 50V,  
 ΩT CAPACITOR VALUES ARE TANTALUM,  
 ELECTROLYTIC CAPACITOR ARE IN μF, 16V,  
 INDUCTOR VALUES ARE IN μH  
 UNLESS OTHERWISE NOTED.

03001  
 P1090708

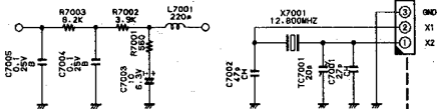
- AF IN
- 50V
- 510
- 520
- 530
- 540
- 550
- 560
- 570
- 580
- 590
- 600
- 610
- 620
- 630
- 640
- 650
- 660
- 670
- 680
- 690
- 700
- 710
- 720
- 730
- 740
- 750
- 760
- 770
- 780
- 790
- 800
- 810
- 820
- 830
- 840
- 850
- 860
- 870
- 880
- 890
- 900
- 910
- 920
- 930
- 940
- 950
- 960
- 970
- 980
- 990
- 1000
- 1010
- 1020
- 1030
- 1040
- 1050
- 1060
- 1070
- 1080
- 1090
- 1100
- 1110
- 1120
- 1130
- 1140
- 1150
- 1160
- 1170
- 1180
- 1190
- 1200
- 1210
- 1220
- 1230
- 1240
- 1250
- 1260
- 1270
- 1280
- 1290
- 1300
- 1310
- 1320
- 1330
- 1340
- 1350
- 1360
- 1370
- 1380
- 1390
- 1400
- 1410
- 1420
- 1430
- 1440
- 1450
- 1460
- 1470
- 1480
- 1490
- 1500
- 1510
- 1520
- 1530
- 1540
- 1550
- 1560
- 1570
- 1580
- 1590
- 1600
- 1610
- 1620
- 1630
- 1640
- 1650
- 1660
- 1670
- 1680
- 1690
- 1700
- 1710
- 1720
- 1730
- 1740
- 1750
- 1760
- 1770
- 1780
- 1790
- 1800
- 1810
- 1820
- 1830
- 1840
- 1850
- 1860
- 1870
- 1880
- 1890
- 1900
- 1910
- 1920
- 1930
- 1940
- 1950
- 1960
- 1970
- 1980
- 1990
- 2000

PAG-UNIT  
F3208102



NOTE:  
RESISTOR VALUES ARE IN Ω/16W ;  
CAPACITOR VALUES ARE IN μF, 50V ;  
(T) CAPACITOR VALUES ARE TANTALUM ;  
UNLESS OTHERWISE NOTED.

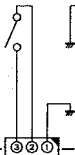
# CLOCK-UNIT F3222101A



NOTE:  
 RESISTOR VALUES ARE IN Ω, 1/16W ;  
 CAPACITOR VALUES ARE IN µF, 50V ;  
 (T) CAPACITOR VALUES ARE TANTALUM ;  
 INDUCTOR VALUES ARE IN H  
 UNLESS OTHERWISE NOTED.

# VR-UNIT F3211000

VR5001-2  
20KA/SW  
POW

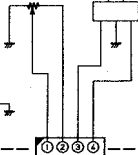


3 OUT  
2 IN  
1 GND

+B

+B

VR5001-1  
20KA/SW  
VOL



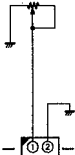
1 OUT  
2 IN  
3 ENC  
4 ENC

AF

AF

S5001  
EC09P20-04

VR5002  
50KB



1 SQL  
2 VR  
GND

SQL

VR