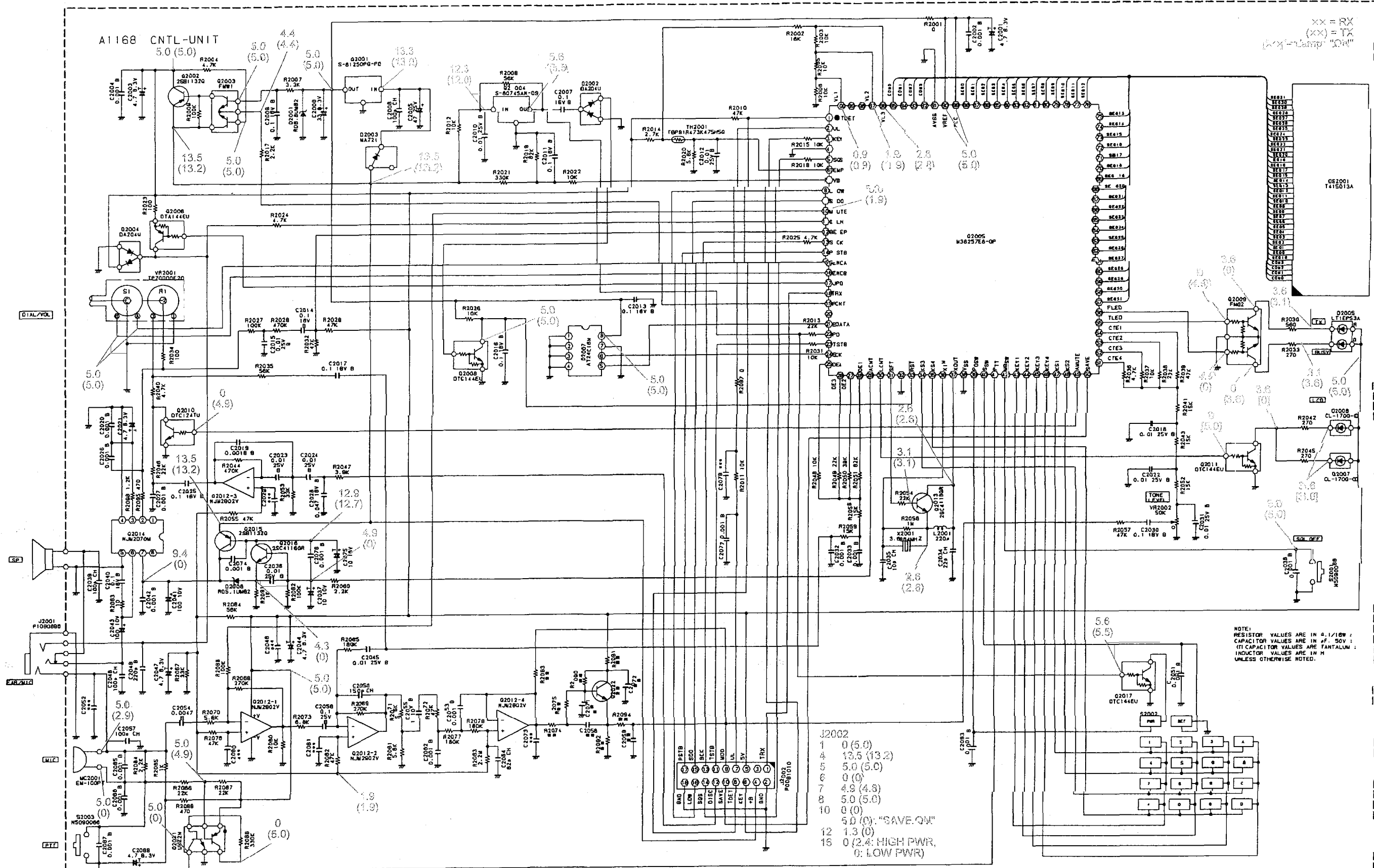


Circuit Diagram



•	C2058	C2059	C2071	C2072	R2074	R2075	R2090	R2091	R2092	R2093	R2094	Q2022
SEP 12.5	0.001μ	***	150μ	0.1μ	180K	180K	***	2.2K	10K	---	22K	2SC4116
SEP 25	---	---	---	---	---	---	---	---	---	22K	---	---

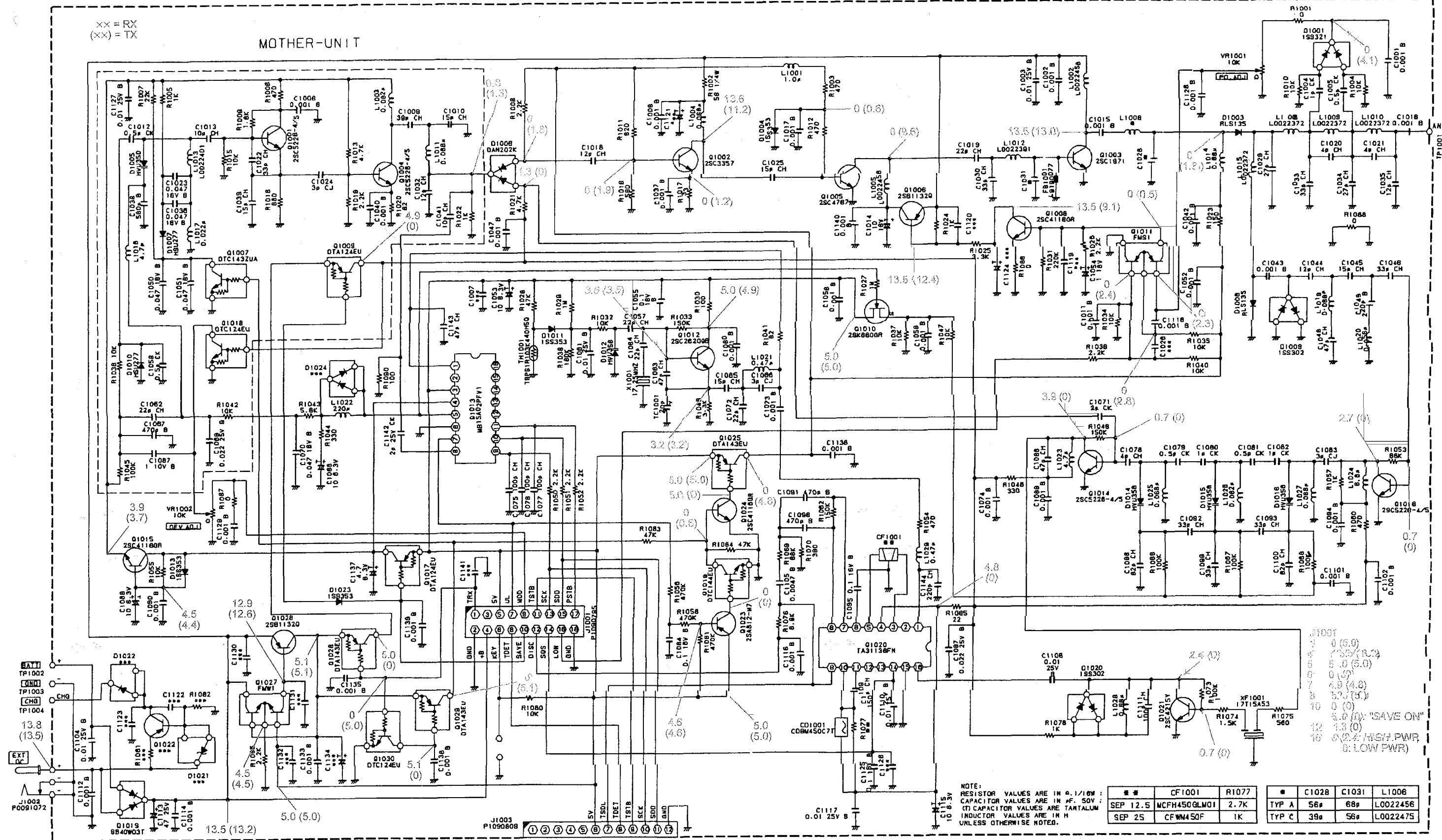
- J2002
- 1 0 (5.0)
 - 4 13.5 (13.2)
 - 5 5.0 (5.0)
 - 6 0 (0)
 - 7 4.9 (4.5)
 - 8 5.0 (5.0)
 - 10 0 (0)
 - 12 1.3 (0)
 - 15 0 (2.4: HIGH PWR, 0: LOW PWR)

NOTE: RESISTOR VALUES ARE IN Ω, 1/10W;
CAPACITOR VALUES ARE IN μF, 50V;
(†) CAPACITOR VALUES ARE TANTALUM;
INDUCTOR VALUES ARE IN H
UNLESS OTHERWISE NOTED.

Circuit Diagram

MOTHER-UNIT

xx = RX
(xx) = TX



NOTE: RESISTOR VALUES ARE IN Ω , 1/10W;
CAPACITOR VALUES ARE IN μ F, 50V;
CF CAPACITOR VALUES ARE TANTALUM;
INDUCTOR VALUES ARE IN H
UNLESS OTHERWISE NOTED.

#	CF1001	R1077
SEP 12.5	MCFH450GLW01	2.7K
SEP 25	CFWM450F	1K

#	C1028	C1031	L1006
TYP A	56 μ	68 μ	L0022456
TYP C	39 μ	56 μ	L0022475

- 1 0 (6.0)
- 2 1.5 (1.5)
- 3 5.0 (6.0)
- 4 0 (5.0)
- 5 4.9 (4.8)
- 6 5.2 (5.1)
- 7 0 (0)
- 8 5.0 (0) "SAVE ON"
- 9 1.3 (0)
- 10 0 (2.4) HIGH PWR
- 11 0 (2.4) LOW PWR