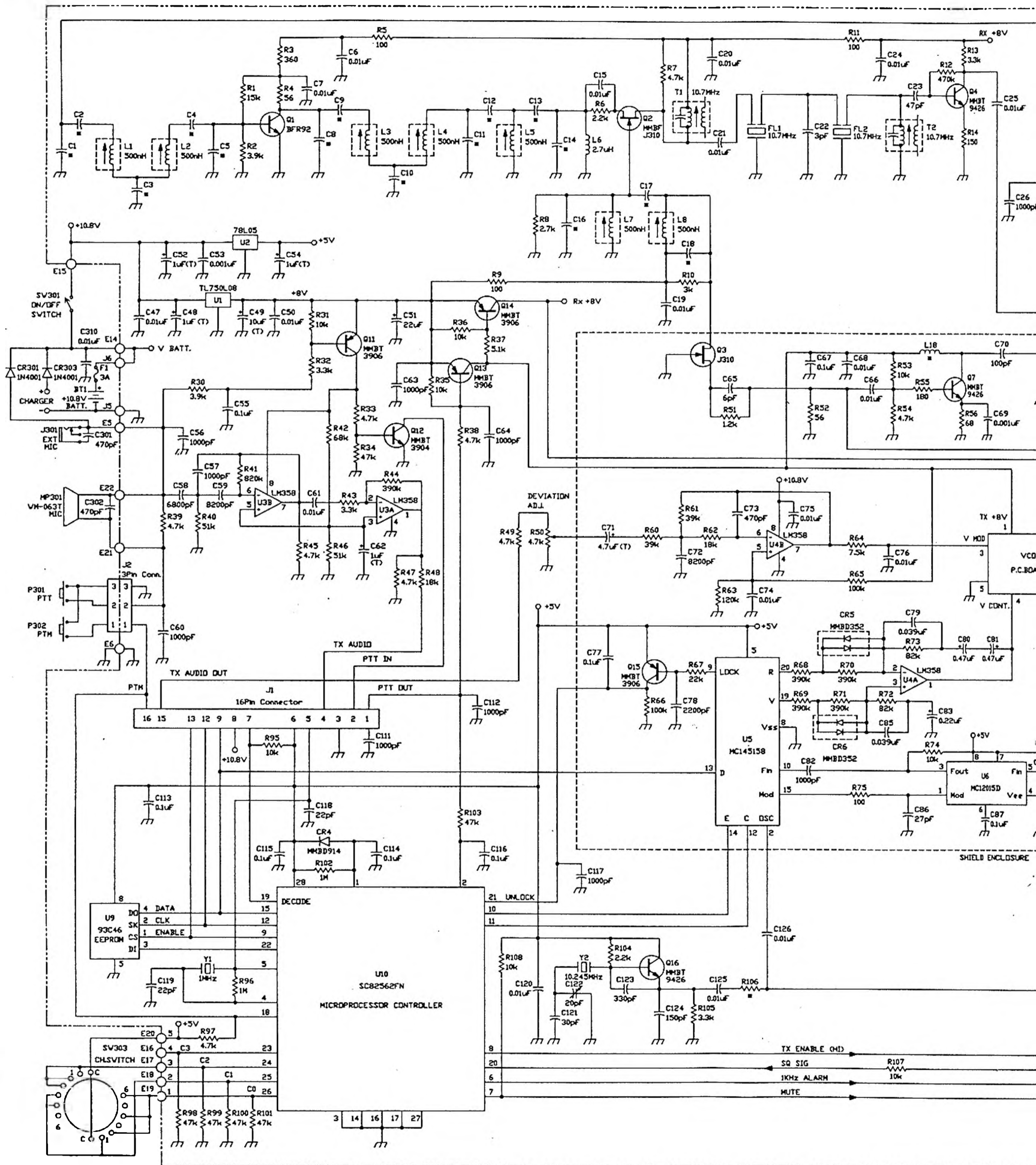


MAXON SP-5050 LO-VHF SYNTHESIZED HAND-HELD Schematic Diagram - Main PCB



HIGHEST COMPONENT NUMBERS USED				
C126	CR8	FL3	L19	Q16
R108	RT1	T2	U10	Y2

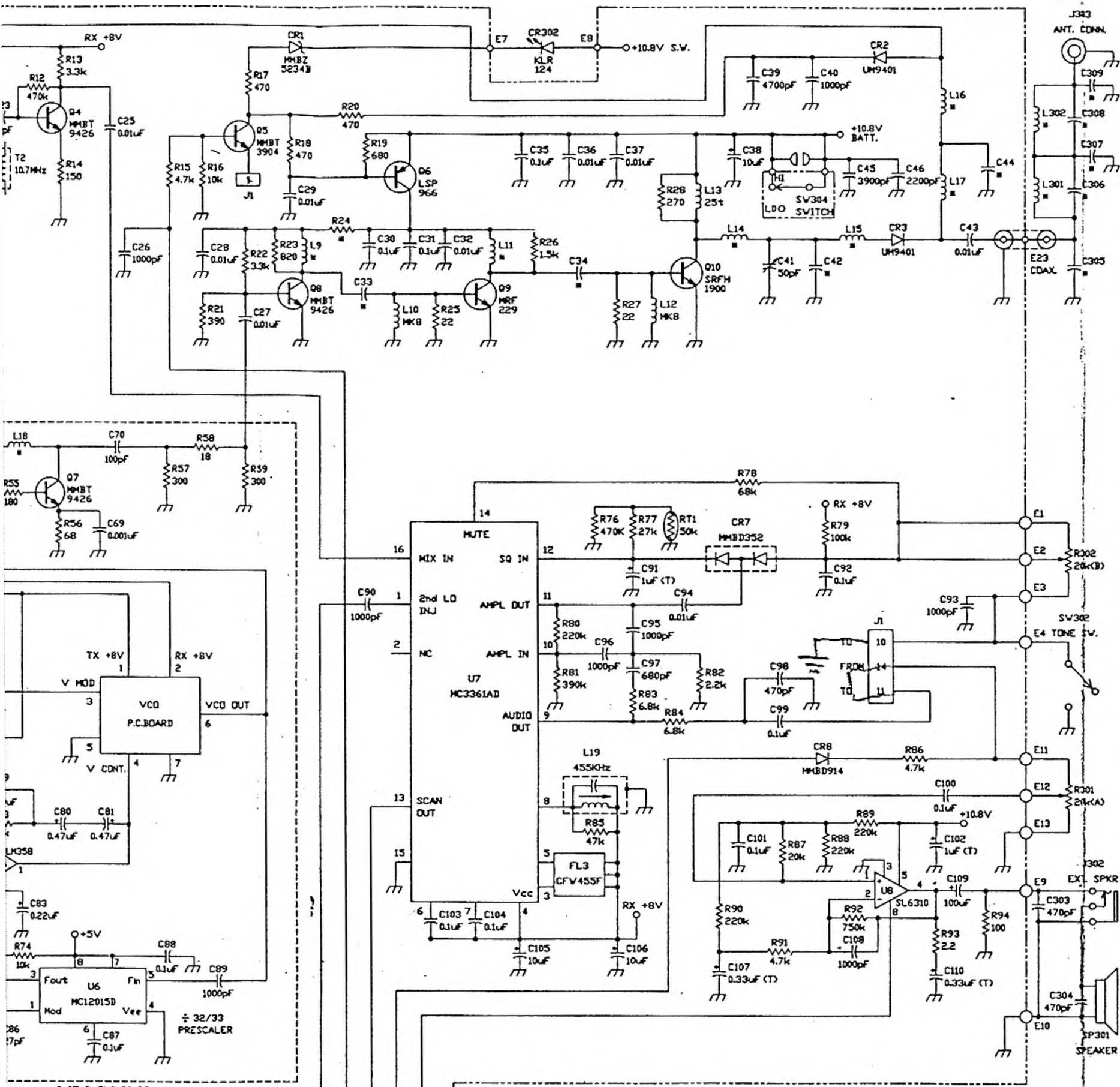
FREQ. BANDING - COMPONENTS SHOWN

BAND A : 25-30 MHz

BAND B : 30-35 MHz

BAND C : 35-42 MHz

BAND D : 42-50 MHz



RECEIVER

	C1	C2	C3	C4	C5	C8	C9	C10	C11	C12	C13	C14	C16	C17	C18
BAND A	180pF	130pF	510pF	910pF	82pF	220pF	120pF	620pF	68pF	11pF	360pF	75pF	33pF	2.2pF	33pF
BAND B	200pF	82pF	430pF	470pF	56pF	200pF	75pF	510pF	51pF	7.5pF	180pF	62pF	24pF	2pF	27pF
BAND C	160pF	56pF	300pF	390pF	36pF	150pF	56pF	390pF	36pF	6.2pF	200pF	39pF	18pF	1.5pF	18pF
BAND D	100pF	39pF	220pF	120pF	30pF	120pF	36pF	330pF	24pF	6.2pF	390pF	30pF	11pF	1pF	12pF

TRANSMITTER

	L9	L11	L14	L15	L16	L17	L18	C33	C34	C42	C44	R24	R106
BAND A	.47uH	10t	18t	25t	15t	15t	.47uH	82pF	390pF	68pF	110pF	150	2.2k
BAND B	.39uH	8t	18t	25t	14t	14t	.33uH	82pF	330pF	39pF	90pF	150	220
BAND C	.27uH	6t	13t	20t	13t	13t	.33uH	82pF	270pF	5pF	75pF	150	220
BAND D	.27uH	5t	13t	18t	12t	12t	.22uH	51pF	240pF	36pF	68pF	82	220

LOWPASS FILTER

	L301	L302	C305	C306	C307	C308	C309
BAND A	15t	13t	62pF	16pF	130pF	47pF	56pF
BAND B	13t	11t	62pF	15pF	120pF	43pF	47pF
BAND C	12t	10t	56pF	12pF	100pF	36pF	36pF
BAND D	11t	9t	47pF	10pF	82pF	30pF	27pF

COMPONENTS SHOWN FOR BAND 3

- 30 MHz
- 35 MHz
- 42 MHz
- 50 MHz