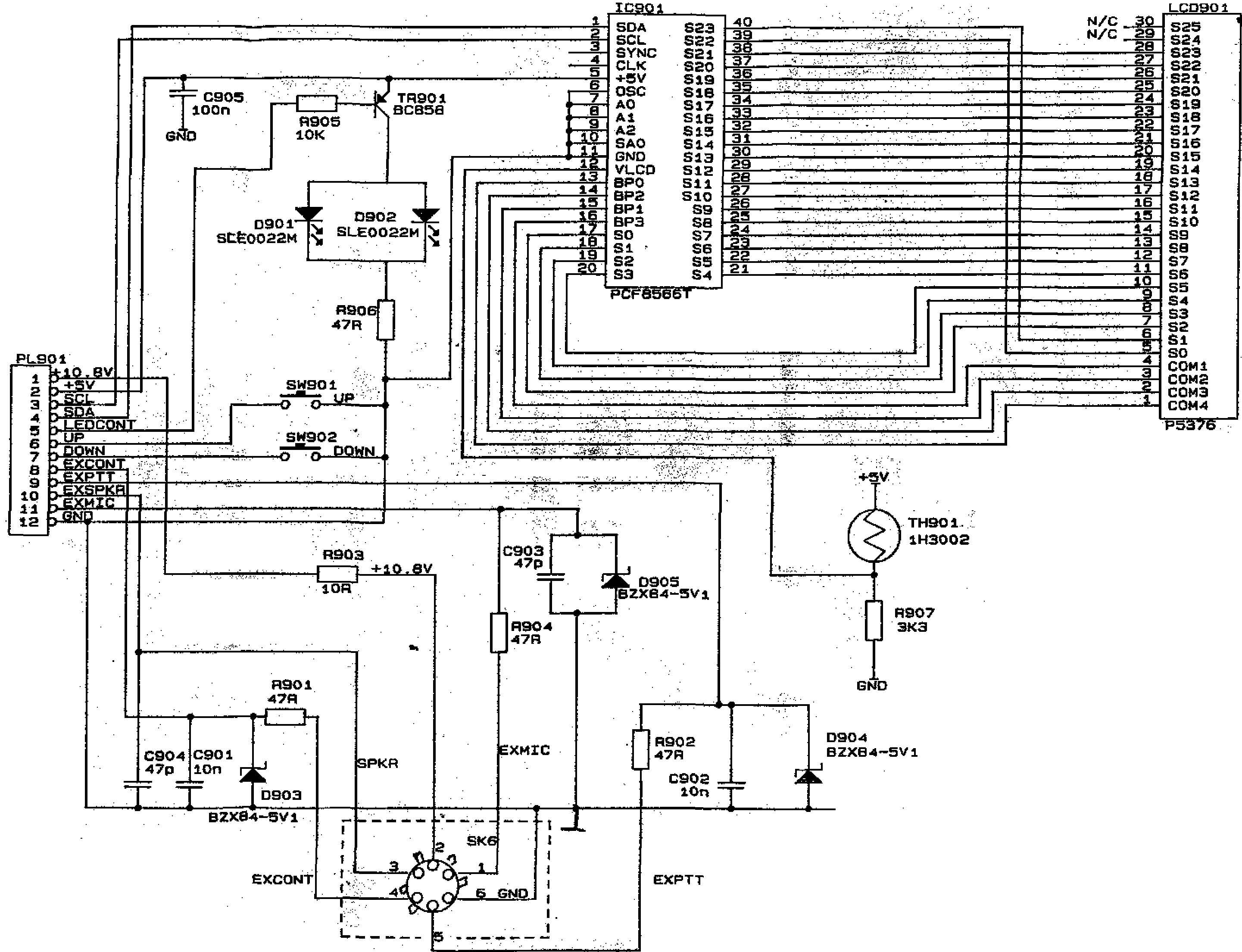




SL500



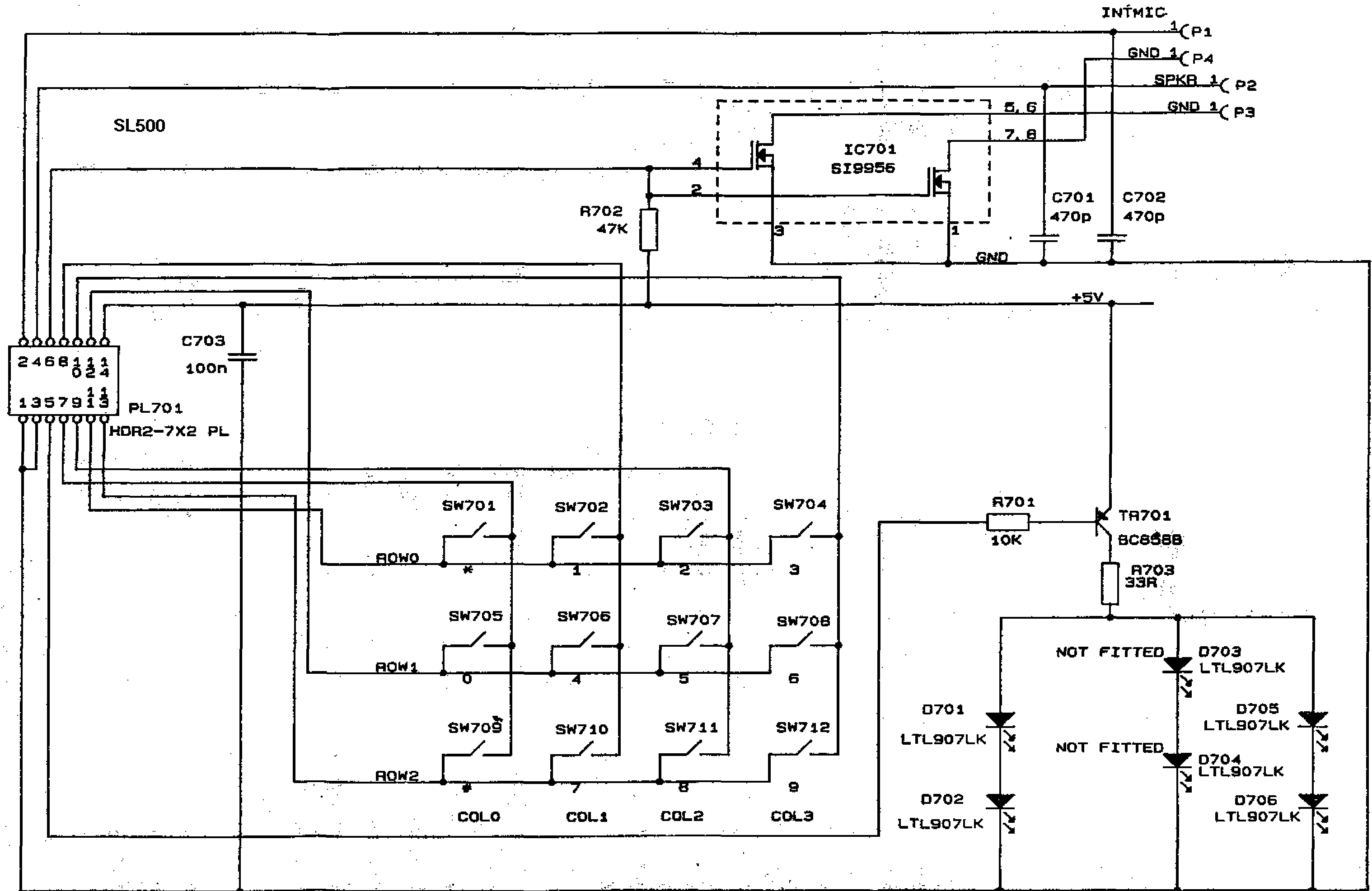


Figure 13.3 Keyboard [F] Circuit Diagram

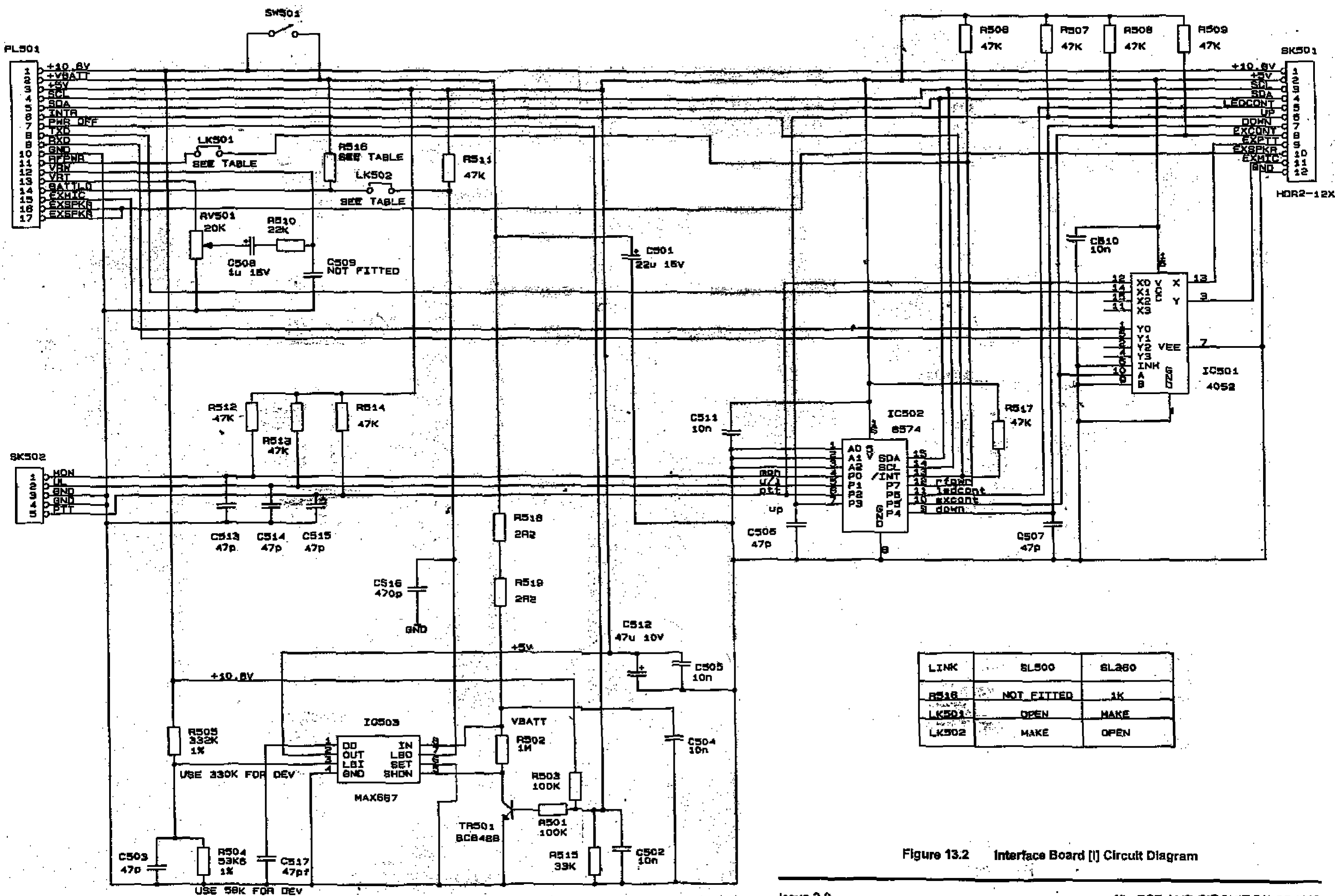


Figure 13.2 Interface Board (I) Circuit Diagram