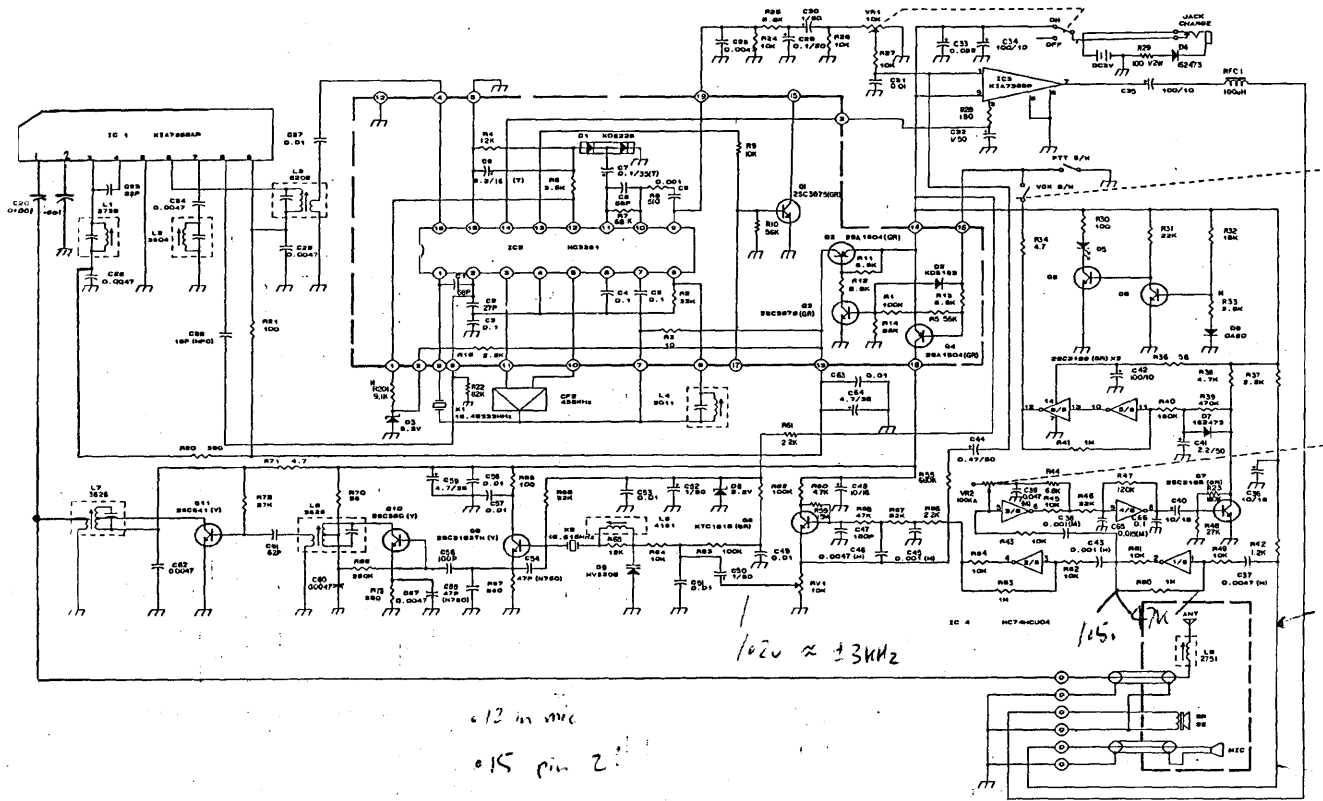


Schematic Diagram



49-SX

23

0.12 in wire

0.15 pin 2

1020 ≈ ±3KHz

1.5v

1.5v pk/pk on whistle

2.0v