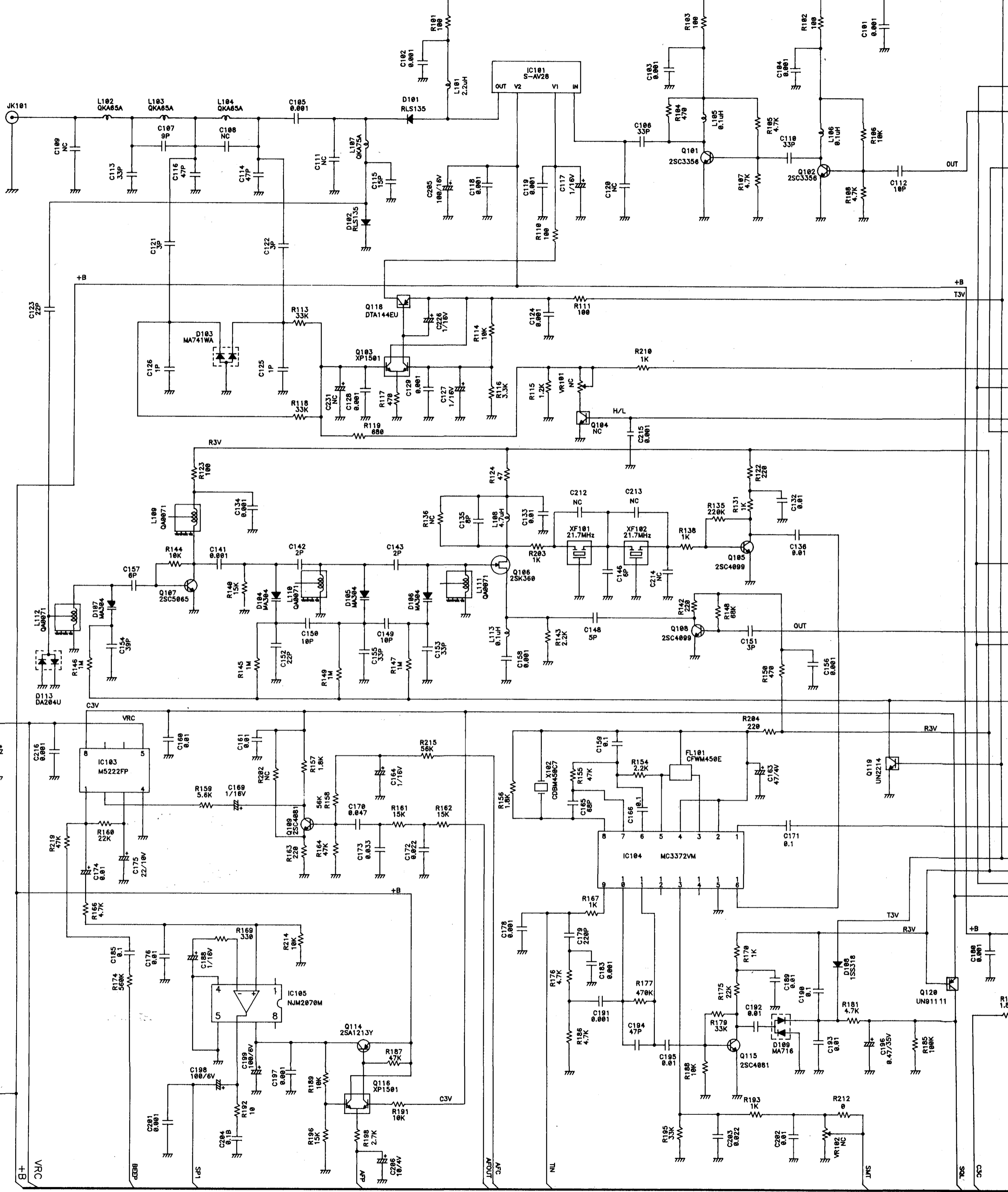
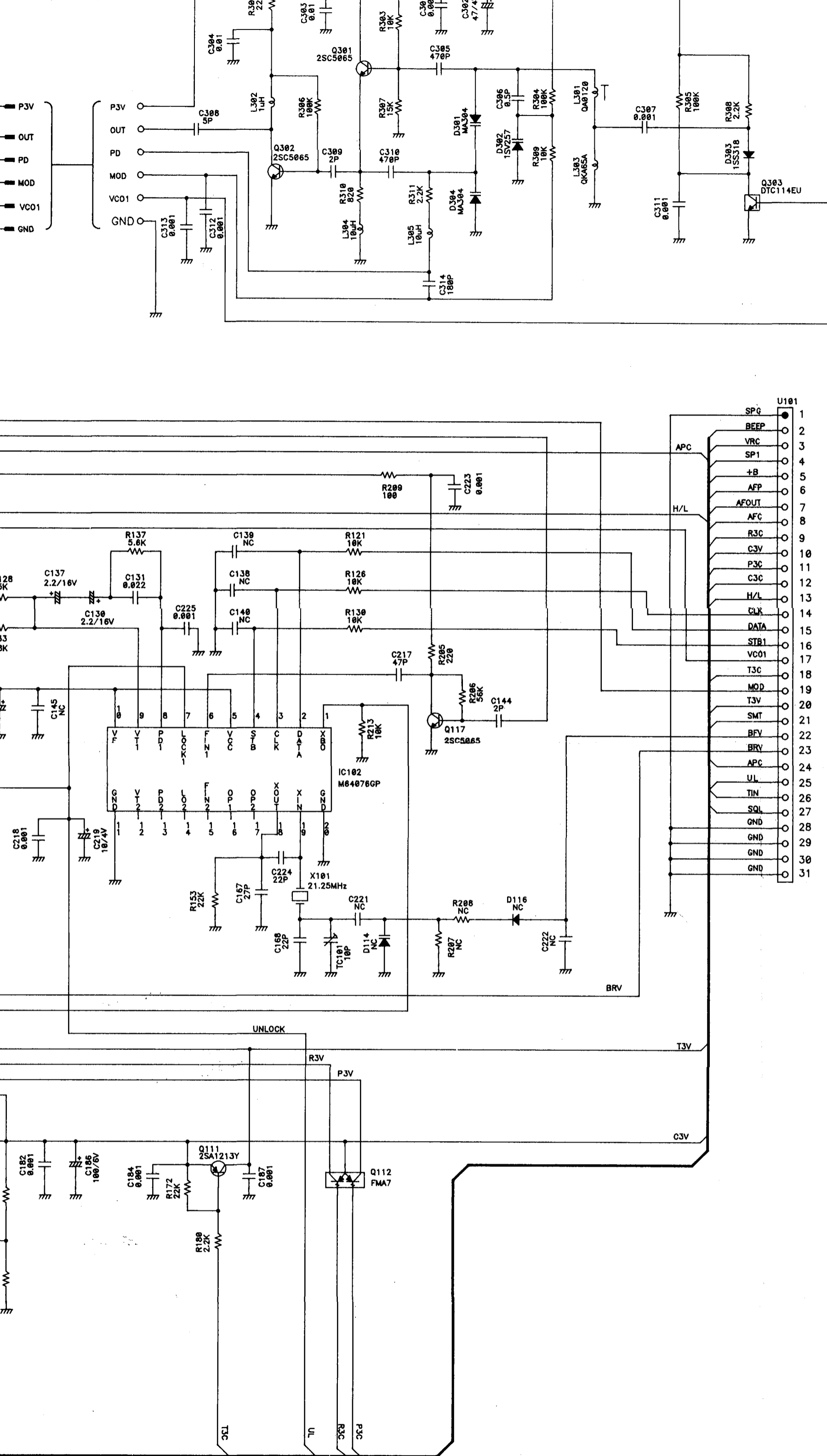


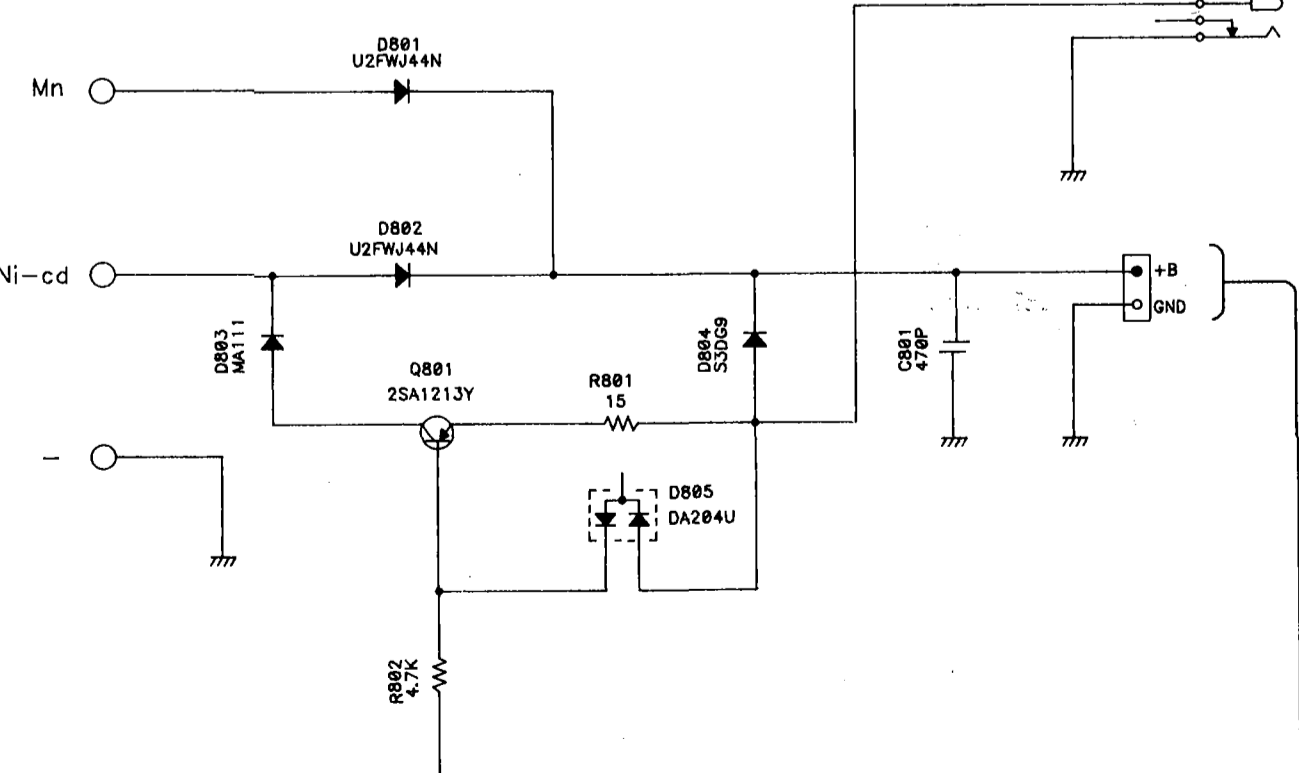
RF UNIT



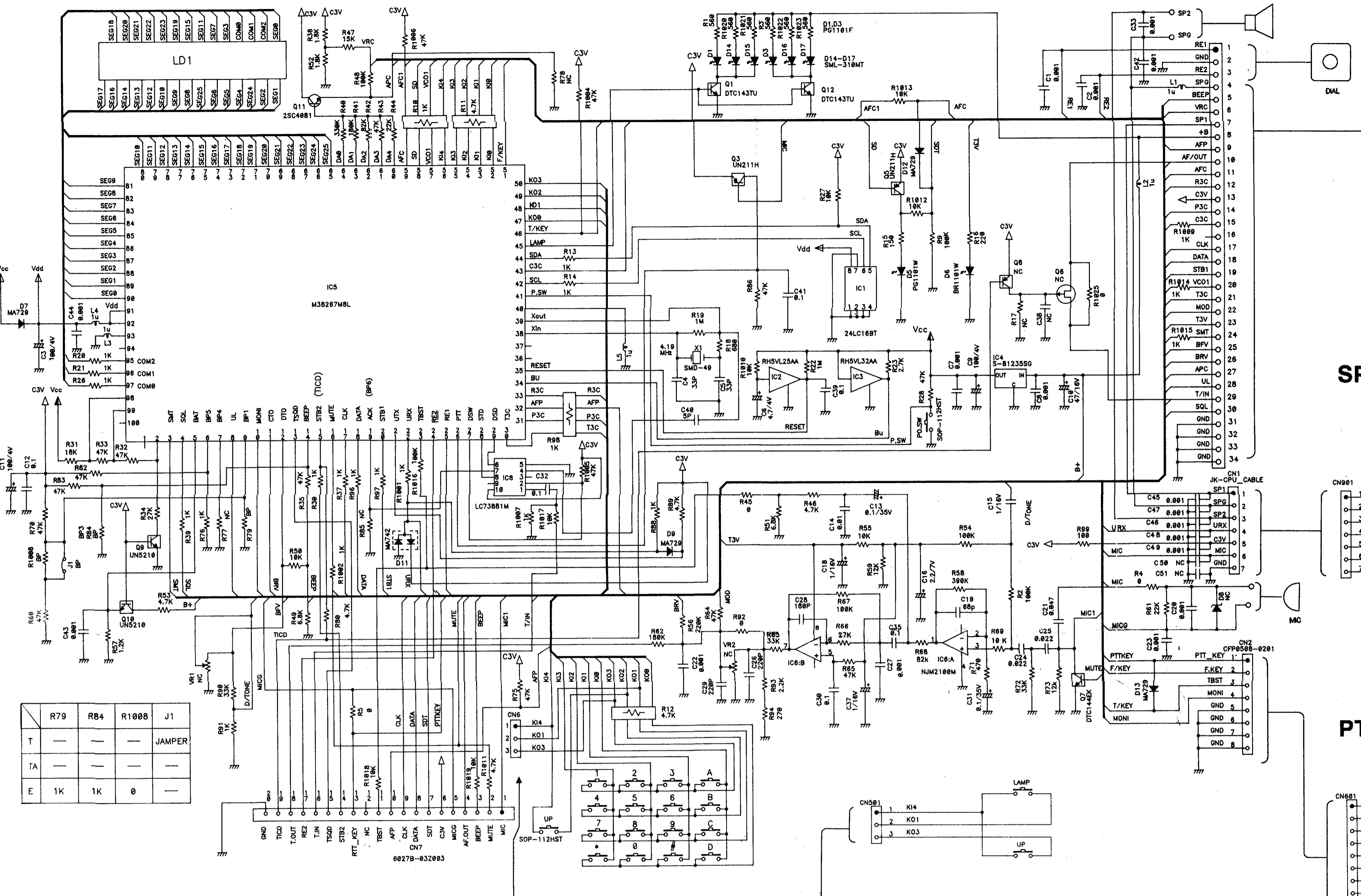
VCO UNIT



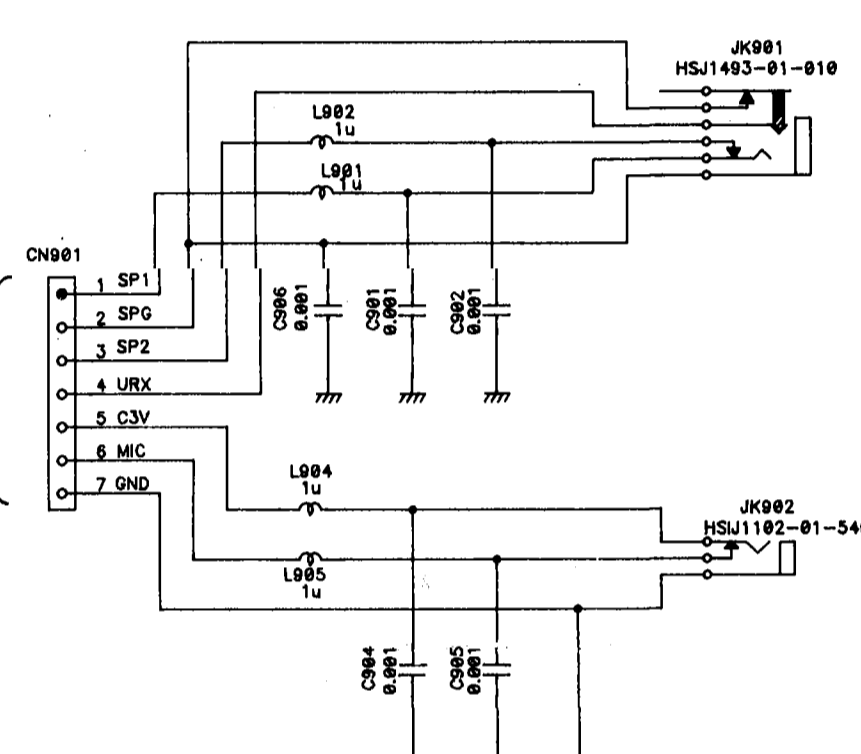
CHARGE UNIT



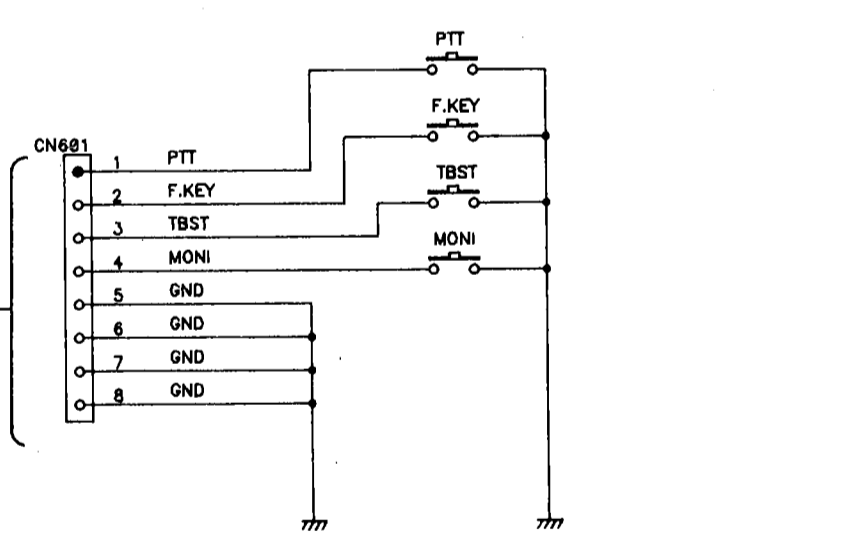
CPU UNIT



SP-JACK UNIT



PTT UNIT



# SCHEMATIC DIAGRAM DJ-191T

Specifications are subject to change without notice or obligation.