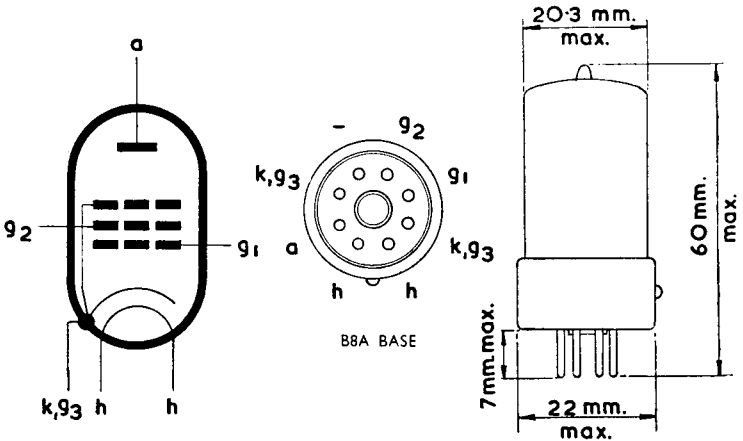


OUTPUT PENTODE

EL42

Output pentode with an anode dissipation of 6W, suitable for use in car radio receivers.

The limiting values, characteristics and audio performance of the EL42 and EL85 are identical. The basing and dimensions of the EL42 are shown below.



128