



No. 5397

VPS10S

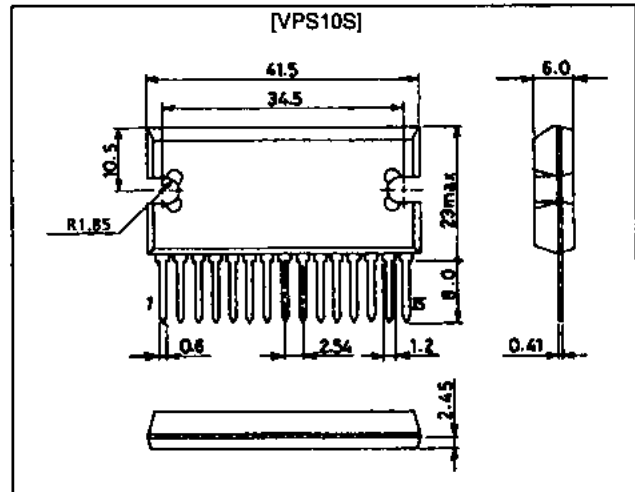
CRT Display Video Output Amplifier: High-Voltage, Wideband Amplification

Features

- High output voltage and wide bandwidth make the VPS10S optimal for use in f_H (horizontal deflection frequency) = 85 kHz class color monitors.
($f = 100$ MHz -3 dB at $V_{OUT} = 40$ Vp-p)
- SIP molded 15-pin package with three channels in a single package.

Package Dimensions

unit: mm

2127

Specifications

Absolute Maximum Ratings at $T_a = 25^\circ\text{C}$

Parameter	Symbol	Conditions	Rating	Unit
Maximum supply voltage	V_{CC} max		120	V
	V_{BB} max		15	V
Allowable power dissipation	P_d max	$T_c = 25^\circ\text{C}$ with an ideal heat sink	25	W
Junction temperature	T_j max		150	$^\circ\text{C}$
Case temperature	T_c max		100	$^\circ\text{C}$
Storage temperature	T_{stg}		-20 to +110	$^\circ\text{C}$

Operating Conditions at $T_a = 25^\circ\text{C}$

Parameter	Symbol	Conditions	Rating	Unit
Recommended supply voltage I	V_{CC}		80	V
	V_{BB}		10	V
Recommended supply voltage II	V_{CC}		90	V
	V_{BB}		10	V

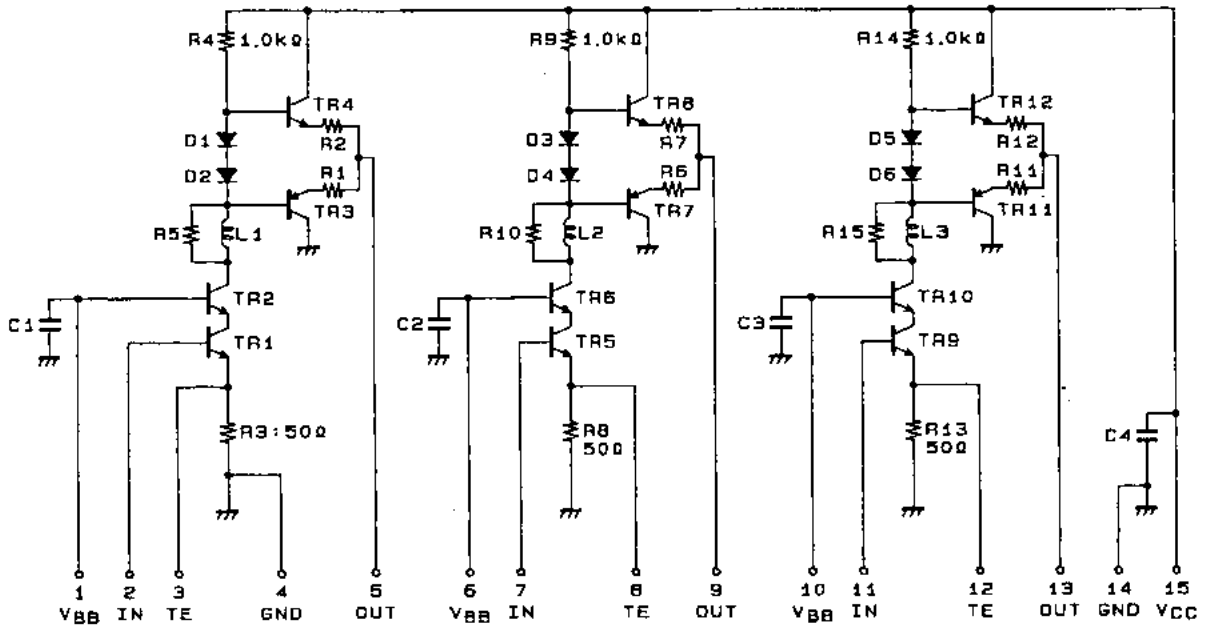
SANYO Electric Co., Ltd. Semiconductor Business Headquarters
TOKYO OFFICE, Tokyo Bldg. 1-10-1, Chomei-cho, Tamaki, TOKYO, 110, JAPAN

VPS10S

Electrical Characteristics at $T_a = 25^\circ\text{C}$ (for a single channel)

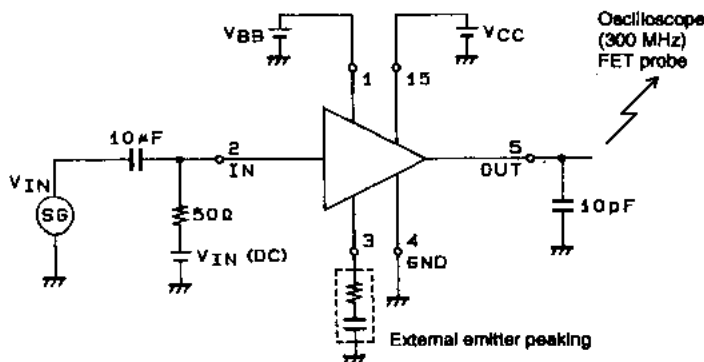
Parameter	Symbol	Conditions	min	typ	max	Unit
Frequency band I (-3 dB)	f_c	$V_{CC} = 80\text{ V}$, $V_{BB} = 10\text{ V}$, $C_L = 10\text{ pF}$, $V_{IN}(\text{DC}) = 2.7\text{ V}$, $V_{OUT}(\text{p-p}) = 40\text{ V}$		100		MHz
Frequency band II	f_c	$V_{CC} = 90\text{ V}$, $V_{BB} = 10\text{ V}$, $C_L = 10\text{ pF}$, $V_{IN}(\text{DC}) = 2.9\text{ V}$, $V_{OUT}(\text{p-p}) = 50\text{ V}$		95		MHz
Pulse response characteristics	t_r	$V_{CC} = 80\text{ V}$, $V_{BB} = 10\text{ V}$, $C_L = 10\text{ pF}$, $V_{IN}(\text{DC}) = 2.7\text{ V}$, $V_{OUT}(\text{p-p}) = 40\text{ V}$		5.2		ns
	t_f			3.7		ns
Voltage gain	VG (DC)		17	19	21	times
Current drain I	I_{CC1}	$V_{CC} = 80\text{ V}$, $V_{BB} = 10\text{ V}$, $C_L = 10\text{ pF}$, $V_{IN}(\text{DC}) = 2.5\text{ V}$, $V_{OUT}(\text{p-p}) = 40\text{ V}$, $f = 10\text{ MHz}$ clock		43		mA
	I_{CC2}	$V_{CC} = 80\text{ V}$, $V_{BB} = 10\text{ V}$, $C_L = 10\text{ pF}$, $V_{IN}(\text{DC}) = 2.5\text{ V}$, $V_{OUT}(\text{p-p}) = 40\text{ V}$, $f = 100\text{ MHz}$ clock		60		mA
Current drain II	I_{CC1}	$V_{CC} = 90\text{ V}$, $V_{BB} = 10\text{ V}$, $C_L = 10\text{ pF}$, $V_{IN}(\text{DC}) = 2.8\text{ V}$, $V_{OUT}(\text{p-p}) = 50\text{ V}$, $f = 10\text{ MHz}$ clock		50		mA
	I_{CC2}	$V_{CC} = 90\text{ V}$, $V_{BB} = 10\text{ V}$, $C_L = 10\text{ pF}$, $V_{IN}(\text{DC}) = 2.8\text{ V}$, $V_{OUT}(\text{p-p}) = 50\text{ V}$, $f = 100\text{ MHz}$ clock		75		mA

Internal Equivalent Circuit

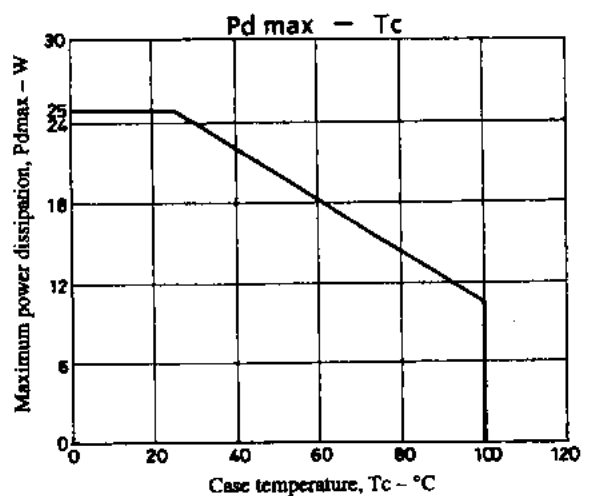
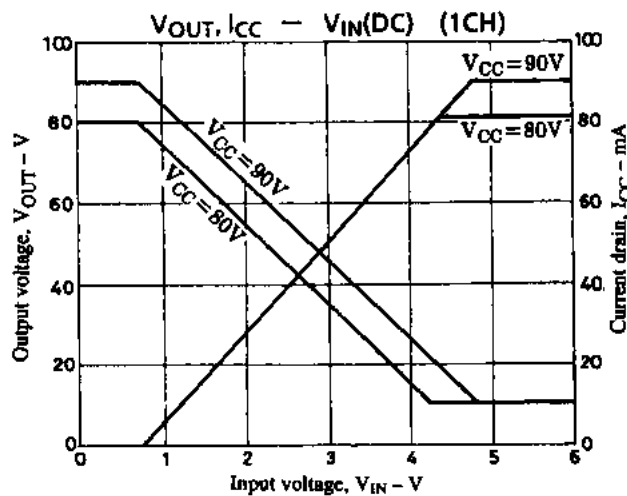
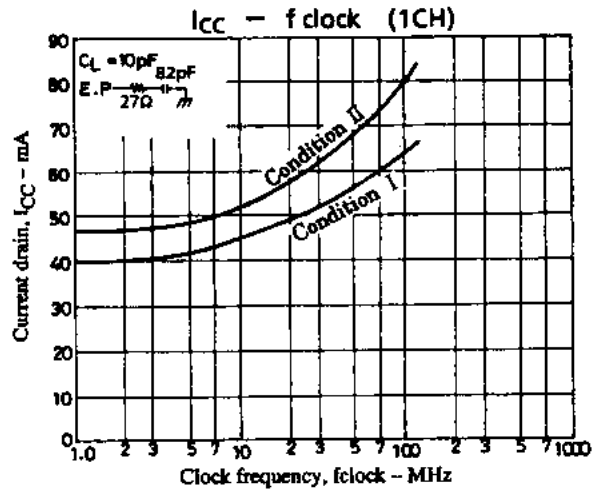
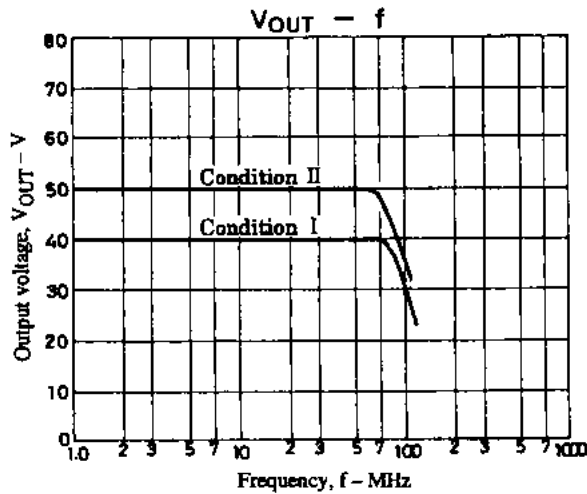


A05588

Test Circuit (for a single channel)



A05589



Thermal Design

Since the VPS10S includes three channels as shown in the internal equivalent circuit diagram, we first consider a single channel. The chip temperature of each transistor under actual operating conditions is determined using the following formula.

$$T_j (Tr_i) = \theta_{j-c} (Tr_i) \times P_C (Tr_i) + \Delta T_c + T_a (^\circ C) \dots\dots\dots (1)$$

- $\theta_{j-c} (Tr_i)$: Thermal resistance of an individual transistor
- $P_C (Tr_i)$: Collector loss for an individual transistor
- ΔT_c : Case temperature rise
- T_a : Ambient temperature

The $\theta_{j-c} (Tr_i)$ for each chip is:

$$\theta_{j-c} (Tr_1) \text{ to } (Tr_4) = 30^\circ C/W \dots\dots\dots (2)$$

Although the loss for each transistor in a video pack varies with frequency and is not uniform, if we assume operation at the maximum operating frequency, $f = 100$ MHz (clock), then the chips with the largest loss will be the emitter-follower stage transistors (Tr3 and Tr4) and that loss will be about 20% of the total loss. Thus from the Pd (shown in the figure) for a single channel we have:

$$P_C (E \text{ and } F \text{ stages})_{f=100 \text{ MHz}} = Pd (1ch)_{f=100 \text{ MHz}} \times 0.20 [W] \dots\dots (3)$$

Here, we must select a heat sink with a capacity θ_h such that the T_j of these transistors does not exceed $150^\circ C$. Equation (4) below gives the relationship between θ_h and ΔT_c .

$$\Delta T_c = Pd (TOTAL) \times \theta_h \dots\dots\dots (4)$$

The required θ_h is calculated using this equation and equation (1).

VPS10S Thermal Design Example

Conditions: Using an $f_H = 85$ kHz class monitor, $f_V = 100$ MHz (clock)

$$V_{CC} = 90 \text{ V}, V_{BB} = 10 \text{ V}, V_{OUT} = 50 \text{ Vp-p} (C_L = 10 \text{ pF})$$

Consider the case where the maximum clock frequency is 100 MHz, taking into account the fact that this class of monitor can be operated at ambient temperatures up to $T_a = 60^\circ\text{C}$.

As mentioned previously, the chips with the largest loss are the transistors in the emitter-follower stage. Determining those values gives:

$$P_C (\text{E and F stages}) = 7.2 \times 0.20 = 1.44 \text{ [W]} \dots \dots \dots (5)$$

We determine ΔT_j by substituting the value for $\theta_j\text{-c}$ in equation (5).

$$\Delta T_j = 1.44 \times 30 = 43.2 \text{ [}^\circ\text{C]}$$

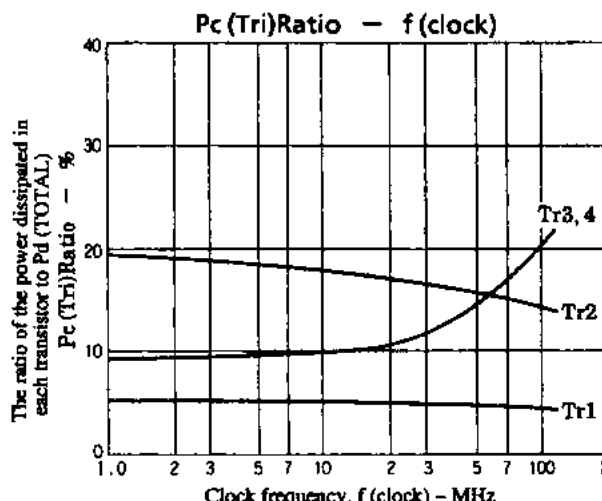
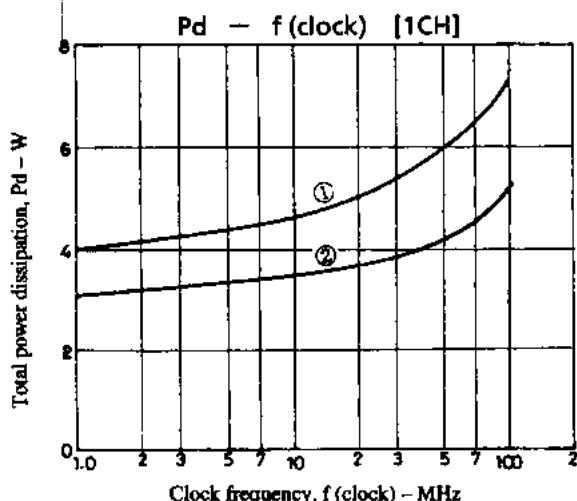
Therefore, T_j (max) will be $43.2 + T_c$ (max) = $43.2 + 100$. Since this will be under 100°C , it suffices to design a heat sink that guarantees that T_c will be under 100°C .

Therefore, a heat sink such that $T_c < 100^\circ\text{C}$ will have the following thermal resistance:

$$\theta_h = \Delta T_c \div P_d (\text{TOTAL}) = (T_c - T_a) \div [P_d (\text{1ch}) \times 3] = 40 \div (7.2 \times 3) = 1.85^\circ\text{C/W}$$

Thus the thermal resistance in this case is $\theta_h = 1.8^\circ\text{C/W}$.

In actual practice, the ambient temperature and operating conditions will allow a heat sink smaller than that indicated by this calculation to be used. Therefore, design optimization taking the actual conditions into account is also required.



Item	V_{CC} (V)	V_{BB} (V)	V_{OUT} (V)	V_O (center)
1	90	10	50	50
2	80	10	40	45

■ No products described or contained herein are intended for use in surgical implants, life-support systems, aerospace equipment, nuclear power control systems, vehicles, disaster/crime-prevention equipment and the like, the failure of which may directly or indirectly cause injury, death or property loss.

■ Anyone purchasing any products described or contained herein for an above-mentioned use shall:

- ① Accept full responsibility and indemnify and defend SANYO ELECTRIC CO., LTD., its affiliates, subsidiaries and distributors and all their officers and employees, jointly and severally, against any and all claims and litigation and all damages, cost and expenses associated with such use.
- ② Not impose any responsibility for any fault or negligence which may be cited in any such claim or litigation on SANYO ELECTRIC CO., LTD., its affiliates, subsidiaries and distributors or any of their officers and employees jointly or severally.

■ Information (including circuit diagrams and circuit parameters) herein is for example only; it is not guaranteed for volume production. SANYO believes information herein is accurate and reliable, but no guarantees are made or implied regarding its use or any infringements of intellectual property rights or other rights of third parties.

This catalog provides information as of March, 1997. Specifications and information herein are subject to change without notice.