

VFC121

## Precision Single Power Supply VOLTAGE-TO-FREQUENCY CONVERTER

### FEATURES

- SINGLE SUPPLY OPERATION:  
+4.5V to +36V
- $f_o = 1.5\text{MHz}$  max
- LOW NONLINEARITY: 0.03% max at  
100kHz, 0.1% max at 1MHz
- HIGH INPUT IMPEDANCE
- VOLTAGE REFERENCE OUTPUT
- THERMOMETER OUTPUT: 1mV/°K

### APPLICATIONS

- INTEGRATING A/D CONVERSION
- ANALOG SIGNAL TRANSMISSION
- PHASE-LOCKED LOOP VCO
- GALVANICALLY ISOLATED SYSTEMS

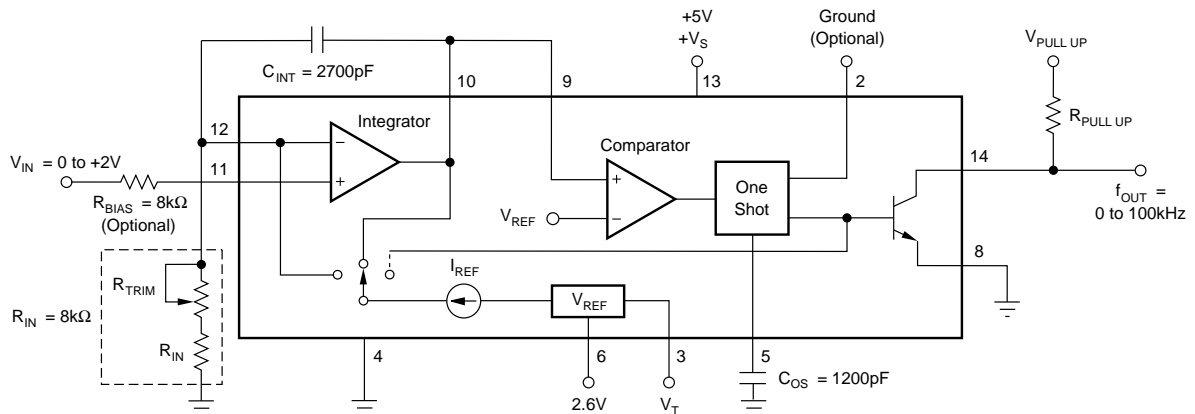
### DESCRIPTION

The VFC121 is a monolithic voltage-to-frequency converter consisting of an integrating amplifier, voltage reference, and one-shot charge pump circuitry. High-frequency complementary NPN/PNP circuitry is used to implement the charge-balance technique, achieving speed and accuracy far superior to previous single power supply VFCs.

The high-impedance input accepts signals from ground potential to  $V_S - 2.5\text{V}$ . Power supplies from 4.5V to

36V may be used. A 2.6V reference voltage output may be used to excite sensors or bias external circuitry. A thermometer output voltage proportional to absolute temperature (°K) may be used as a temperature sensor or for temperature compensation of applications circuits.

Frequency output is an open-collector transistor. A disable pin forces the output to the high impedance state, allowing multiple VFCs to share a common transmission path.



International Airport Industrial Park • Mailing Address: PO Box 11400 • Tucson, AZ 85734 • Street Address: 6730 S. Tucson Blvd. • Tucson, AZ 85706  
Tel: (520) 746-1111 • Twx: 910-952-1111 • Cable: BBRCORP • Telex: 066-6491 • FAX: (520) 889-1510 • Immediate Product Info: (800) 548-6132

# SPECIFICATIONS

## ELECTRICAL

At  $T_A = +25^\circ\text{C}$ ,  $V_S = +5\text{V}$ , and  $R_{IN} = 8\text{k}\Omega$ , unless otherwise noted.

PARAMETER	CONDITIONS	VFC121AP			VFC121BP			UNITS
		MIN	TYP	MAX	MIN	TYP	MAX	
<b>ACCURACY</b> Nonlinearity: $f_{FS} = 100\text{kHz}$ $f_{FS} = 1\text{MHz}$ Gain Error: $f_{FS} = 100\text{kHz}$ Gain Drift: $f_{FS} = 100\text{kHz}$ Relative to $V_{REF}$ PSRR	$C_{OS} 1200\text{pF}$ , $C_{INT} = 2700\text{pF}$ $C_{OS} 68\text{pF}$ , $C_{INT} = 270\text{pF}$ $C_{OS} 1200\text{pF}$ , $C_{INT} = 2700\text{pF}$ $T_{MIN}$ to $T_{MAX}$ $+V_S = +5\text{V}$ to $+36\text{V}$		0.1	0.05 10 80 100 0.025			0.03 0.1 * 40 40 *	%FS %FS %FS ppm/ $^\circ\text{C}$ ppm/ $^\circ\text{C}$ %/V
<b>INPUT</b> Minimum Input Voltage Maximum Input Voltage Impedance $I_{BIAS}$ $V_{OS}$ $V_{OS}$ Drift	$T_{MIN}$ to $T_{MAX}$	$V_S - 2.5$ 10	$V_S - 2$ 100 150 300 10	0  300 800	* *	* * * 100 *	*  * 400	V V M $\Omega$ nA $\mu\text{V}$ $\mu\text{V}/^\circ\text{C}$
<b>OPEN COLLECTOR OUTPUT</b> $V_{SAT}$ $I_{LEAKAGE}$ Fall Time Delay to Rise Settling Time	$I_{PULL UP} = 10\text{mA}$ $V_{PULL UP} = 5\text{V}$ $V_{PULL UP} = 36\text{V}$  $R_{PULL UP} = 470\Omega$ To Specified Linearity for Full Scale Input Step			0.4 1 10 100 100			* * * * *	V $\mu\text{A}$ $\mu\text{A}$ ns ns
<b>REFERENCE VOLTAGE</b> Voltage Voltage Drift Load Regulation PSRR Current Limit	$I_O = 0$ to $10\text{mA}$ $V_S = +5\text{V}$ to $+36\text{V}$	2.59	2.6	2.61 100 10 10	*   	*   	* 50 * *	V ppm/ $^\circ\text{C}$ mV mV
<b>INTEGRATOR AMPLIFIER OUTPUT</b> Output Voltage Range	$R_L = 100\text{k}\Omega$	0.8		2.9	*		*	V
<b>COMPARATOR INPUT</b> $I_{BIAS}$ Trigger Voltage Input Voltage Range			+1 2.6	2.9		* *	*	$\mu\text{A}$ V V
<b>THERMOMETER</b> $V_T$ $V_T$ Slope	$T_A = +25^\circ\text{C}$ $T_{MIN}$ to $T_{MAX}$		298 1			* *		mV mV/ $^\circ\text{K}$
<b>DISABLE INPUT</b> $V_{HIGH}$ (Disabled) $V_{LOW}$ $I_{HIGH}$ (Disabled) $I_{LOW}$	$V_{HIGH} = 2\text{V}$ $V_{LOW} = 0.8\text{V}$	2		0.8	*		*	V V $\mu\text{A}$ $\mu\text{A}$
<b>POWER SUPPLY</b> Voltage Current		4.5	5 7.5	36 10	*	* *	* *	V mA
<b>TEMPERATURE RANGE</b> Specified Storage		-25 -40		+85 +125	*		* *	$^\circ\text{C}$ $^\circ\text{C}$

\* Same specification as VFC121AP.

NOTE: (1) One pulse of new frequency plus  $1\mu\text{s}$ .

## ORDERING INFORMATION

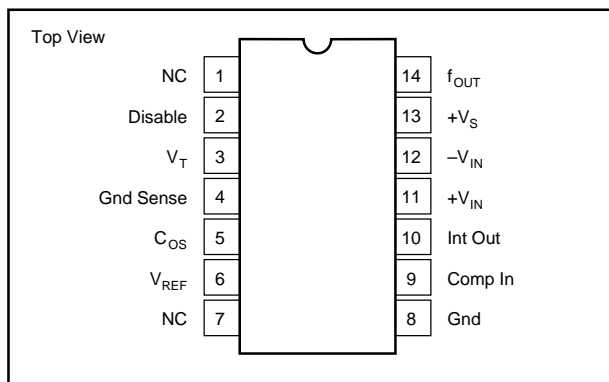
MODEL	PACKAGE	LINEARITY ERROR, MAX ( $f_s = 100\text{kHz}$ )	TEMPERATURE RANGE
VFC121AP	Plastic DIP	0.05%	$-25^\circ\text{C}$ to $+85^\circ\text{C}$
VFC121BP	Plastic DIP	0.03%	$-25^\circ\text{C}$ to $+85^\circ\text{C}$

The information provided herein is believed to be reliable; however, BURR-BROWN assumes no responsibility for inaccuracies or omissions. BURR-BROWN assumes no responsibility for the use of this information, and all use of such information shall be entirely at the user's own risk. Prices and specifications are subject to change without notice. No patent rights or licenses to any of the circuits described herein are implied or granted to any third party. BURR-BROWN does not authorize or warrant any BURR-BROWN product for use in life support devices and/or systems.



VFC121

## PIN CONFIGURATION



## ABSOLUTE MAXIMUM RATINGS

Power Supply Voltage ( $+V_S$ )	40V
$f_{OUT}$ Sink Current	20mA
Comparator In Voltage	-0.5V to +3V
Enable Input	-0.3V to $+V_S$
Integrator Common-Mode Voltage	0V to $+V_S - 2V$
Integrator Differential Input Voltage	-0.3V to +0.3V
$V_{REF}$ Out (short-circuit)	Indefinite
Operating Temperature Range	-40°C to +85°C
Storage Temperature	-40°C to +125°C
Lead Temperature (soldering, 10s)	+300°C

Stresses above these ratings may permanently damage the device. Exposure to absolute maximum rating conditions for extended periods may affect device reliability.

## PIN CONFIGURATION

PIN #	NAME	DESCRIPTION
1	NC	Not Connected
2	Disable	Input logic Low for normal operation. Input logic High to disable the VFC121. Has internal pull-down, for normal operation if not connected.
3	$V_T$	Temperature compensation voltage proportional to absolute temperature. Typically 298mV at room temperature (298°K), with a change of 1mV per °C (°K).
4	Gnd Sense	Defines ground for the internal voltage reference.
5	$C_{OS}$	One-shot capacitor is connected between here and ground to set full scale output frequency.
6	$V_{REF}$	Output from the internal band-gap voltage reference, typically 2.6V. Can be used externally to set levels or excite sensors.
7	NC	Not Connected
8	Gnd	Ground
9	Comp In	Comparator In
10	Int Out	Integrator Out
11	$+V_{IN}$	Non-inverting input of the integrating op amp. The input signal is applied here.
12	$-V_{IN}$	Inverting input of the integrating op amp. $C_{INT}$ is connected between here and the integrator output (pin 10), and $R_{IN}$ is connected between here and ground.
13	$+V_S$	Supply voltage connected here. Range is +4.5V to +36V.
14	$f_{OUT}$	Frequency output pin. This is the output of an open-collector transistor, and an external pull-up circuit should be used to generate the appropriate logic levels.

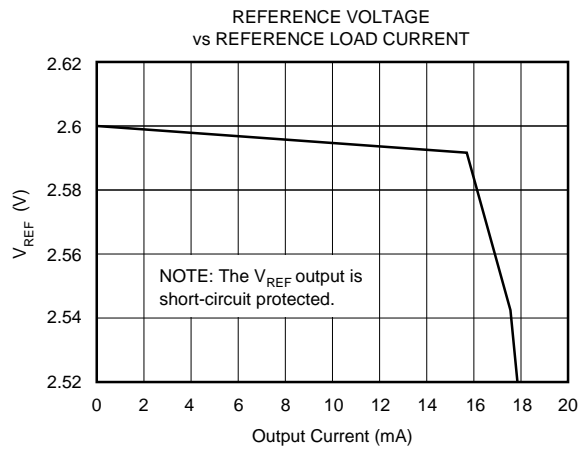
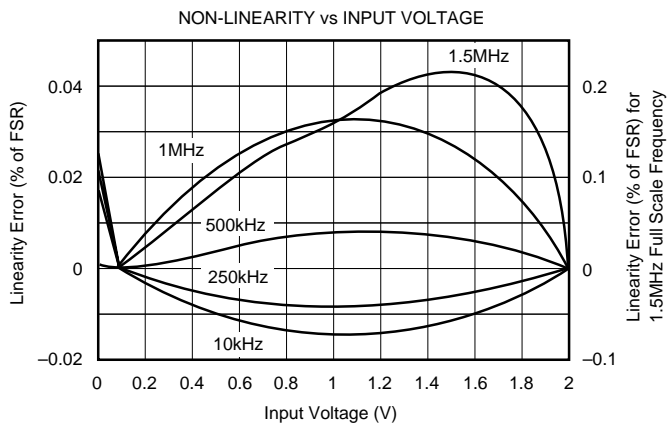
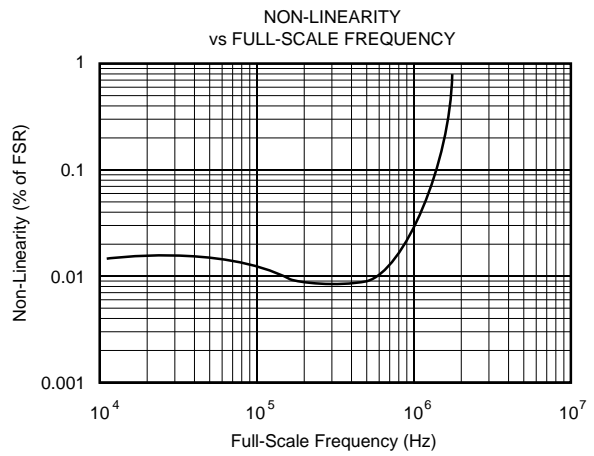
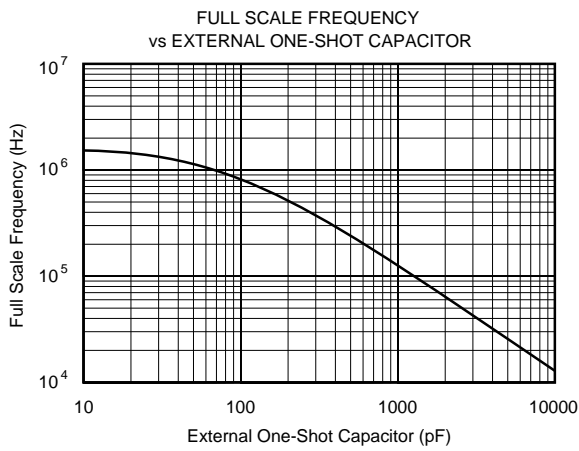
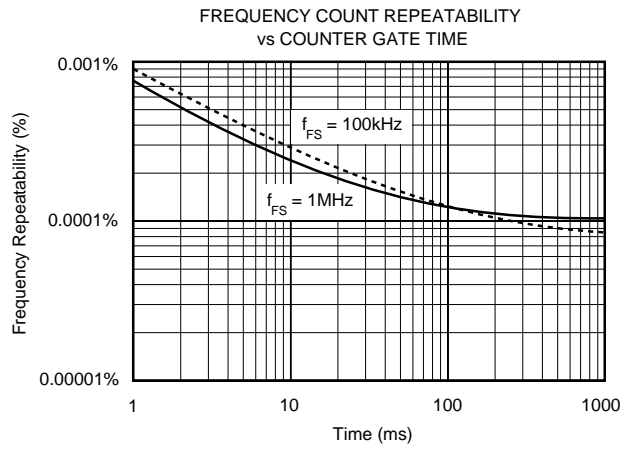
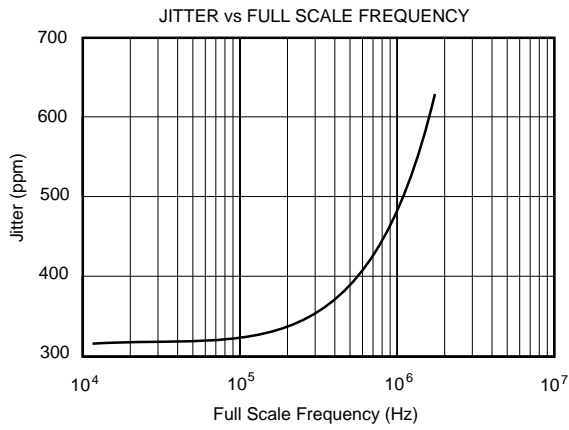
## PACKAGE INFORMATION

MODEL	PACKAGE	PACKAGE DRAWING NUMBER <sup>(1)</sup>
VFC121AP	14-Pin Plastic DIP	010
VFC121BP	14-Pin Plastic DIP	010

NOTE: (1) For detailed drawing and dimension table, please see end of data sheet, or Appendix D of Burr-Brown IC Data Book.

# TYPICAL PERFORMANCE CURVES

At  $T_A = +25^\circ\text{C}$ ,  $V_S = +5\text{V}$ , and  $R_{IN} = 8\text{k}\Omega$ , unless otherwise noted.





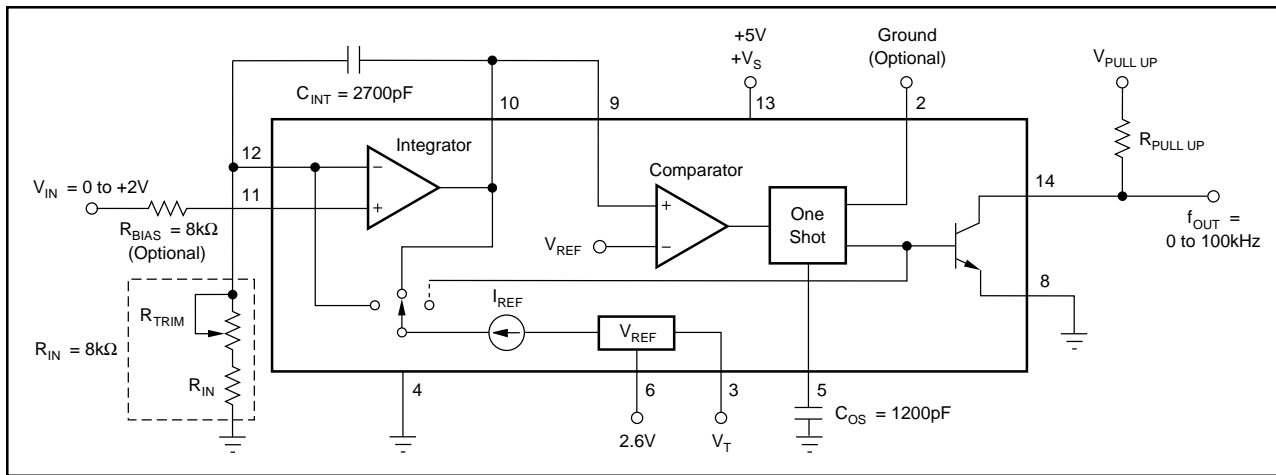


FIGURE 3. 2V Full Scale Input, 100kHz Full Scale Output.

the integrating op amp to see a constant current, reducing errors that might occur if the load were unbalanced.) In this state, the output of the integrator resumes a positive ramp, restarting the cycle.

The output frequency is regulated by the balance of current (or charge) between the current  $V_{IN}/R_{IN}$  and the time-averaged reset current. The size of the integrating capacitor,  $C_{INT}$ , determines the slew rate of the integrator, and thus how far down the integrator ramps during the one-shot period, but has no effect on the output frequency of the VFC121.

The reference voltage used internally is generated from a bandgap reference, which is actively trimmed to achieve the low drift characteristics of the VFC121. To maximize flexibility of designs using the VFC121, both the bandgap reference voltage and a thermometer voltage are available externally.

## INSTALLATION AND OPERATING INSTRUCTIONS

### BASIC OPERATION

The VFC121 allows users a wide range of input voltages and supply voltages, and easy control of the full scale output frequency. The basic connections are shown in Figure 3, with components that generate a 100kHz output with a 2V full scale input.

For other input and output ranges, the full scale input voltages and full scale output frequencies can be calculated as follows:

$$f_{FS} = \frac{V_{FS}}{2(R_{IN})(C_{OS} + 60)}$$

The full scale input current of 250µA was chosen to provide a 25% duty cycle in the output frequency. The VFC121 is designed to give optimum linearity under these conditions, but other current levels can be used without significantly degrading linearity. By reducing  $R_{IN}$ , the integrating current is increased, increasing the positive ramp rate of the integra-

tor output. Since the one-shot period is unchanged, the duty cycle of the output increases.

Stray capacitance at the  $C_{OS}$  pin typically adds about 60pF to the capacitance of the external  $C_{OS}$ , which accounts for the adjustment in the above equation. This usually becomes negligible as the required output frequency is reduced, and  $C_{OS}$  is increased.

$R_{BIAS}$  is included in the circuit in Figure 3 to compensate for the effects of bias currents at the input of the integrating op amp. It is optional in most applications, but when needed,  $R_{BIAS}$  should equal  $R_{IN}$ .

Table 1 indicates standard external component values for common input voltage ranges and output frequency ranges.

### COMPONENT SELECTION

Selection of the external resistor and capacitor type is important. Temperature drift of the external input resistor and one-shot capacitor will affect temperature stability of the output frequency. NPO ceramic capacitors will normally produce the best results. Silver-mica types will result in slightly higher drift, but may be adequate in many applications. A low temperature coefficient film resistor should be used for  $R_{IN}$ .

The integrator capacitor,  $C_{INT}$ , serves as a “charge bucket,” where charge accumulation is induced by the input,  $V_{IN}$ , and

FULL SCALE INPUT RANGE (V)	$R_{IN} + R_{TRIM}$ (kΩ)	
2	8	
5	20	
10	40	
FULL SCALE OUTPUT FREQUENCY (kHz)	$C_{OS}$ (pF)	$C_{INT}$ (pF)
1500	22	150
1000	68	270
500	180	470
250	470	1000
125	1000	2200
25	4700	10,000

NOTE: Higher output frequencies can be achieved by reducing  $R_{IN}$ .

TABLE 1. Standard External Component Values

repeatedly reduced during the one-shot period. The size of the bucket (the capacitor value) is not critical, since it primarily determines how far below  $V_{REF}$  the output of the integrator ramps during the one-shot period. At the same time, the capacitor used must not leak since capacitor leakage or dielectric absorption can affect the linearity and offset of the transfer function. High-quality ceramic capacitors can be used for values less than  $0.01\mu\text{F}$ , but caution should be used with higher value ceramic capacitors. High-k ceramic capacitors may have voltage non-linearities which can degrade overall linearity. Polystyrene, polycarbonate, or mylar film capacitors are superior for higher capacitance values.

During the one-shot period, the output of the integrator is ramping down. To prevent the integrating op amp from being saturated at its minimum output of  $0.8\text{V}$ ,  $C_{INT}$  should be kept at least  $1.7 \times C_{OS}$ .

### OUTPUT FREQUENCY ADJUSTMENT

The full scale output frequency of the VFC121 can be adjusted using a trim-pot,  $R_{TRIM}$  in Figure 3, in series with  $R_{IN}$ . For optimum drift vs temperature, a low temperature coefficient fixed resistor of approximately 90% of the calculated  $R_{IN}$  requirement should be used in series with a trim-pot approximately 20% of the size of the calculated  $R_{IN}$ . The low-drift fixed resistor contributes most of the final  $R_{IN}$  resistance, so that the effect of higher drift from the trim-pot is attenuated in the total  $R_{IN}$ .

### PULL-UP RESISTOR

The VFC121's frequency output is an open-collector transistor. A pull-up resistor should be connected from  $f_{OUT}$  to the logic supply,  $+V_L$ . The output transistor is On during the one-shot period, causing the output to be logic Low. The current flowing in this resistor should be limited to  $10\text{mA}$  to assure a  $0.4\text{V}$  maximum logic Low. The value chosen for the pull-up resistor may depend on the full-scale frequency and capacitance on the output line. Excessive capacitance on  $f_{OUT}$  will cause a slow, rounded rising edge at the end of an output pulse. This effect can be minimized by using a pull-up resistor which sets the output current to its maximum of  $10\text{mA}$ . The logic power supply can be any positive voltage up to  $+36\text{V}$ .

### ENABLE PIN

If left unconnected, the Enable input will assume a logic Low level, enabling the output stage. Alternatively, the Enable input may be connected directly to ground. This pin can also be driven by standard TTL or CMOS logic.

A logic High at the Enable input causes output pulses to cease. This is accomplished by interrupting the signal path through the one-shot circuitry. While disabled, all circuitry remains active and quiescent current is unchanged. Since no reset current pulses can occur while disabled, any positive input voltage will cause the integrator op amp to ramp positive and saturate at its most positive output swing of approximately  $V_{REF} + 0.7\text{V}$ .

When the Enable input receives a logic Low (less than  $0.8\text{V}$ ), a reset current cycle is initiated, (causing  $f_{OUT}$  to go Low). The integrator ramps negatively and normal operation is established. The time required for the output frequency to stabilize is equal to approximately one cycle of the final output frequency plus  $1\mu\text{s}$ .

Using the Enable input, the outputs from several VFCs can be connected to a single line. All disabled VFCs will have a high output impedance; one active VFC can then transmit on the line. Since disabled VFCs are not oscillating, they cannot interfere or "lock" with the operating VFC. Locking can occur when one VFC operates at nearly the same frequency, or a multiple, as a nearby VFC. Coupling between the two may cause them to lock to the same frequency or an exact multiple. It then takes a small incremental input voltage change on one of the VFCs to unlock them. Locking cannot occur when unneeded VFCs are disabled.

## APPLICATION INFORMATION

### OPERATION FROM $10\text{kHz}$ TO $210\text{kHz}$

The VFC121 is designed to provide an output frequency starting at  $0\text{Hz}$  for a  $0\text{V}$  input and increasing linearly to the full scale output frequency,  $f_{FS}$ , at the full scale input voltage,  $V_{FS}$ . For applications where low level inputs, near  $0\text{V}$ , are critical, it may be inconvenient to have an output frequency approaching  $0\text{Hz}$ . Figure 4 shows a circuit which transforms a  $0\text{V}$  to  $2\text{V}$  input level into output frequencies from  $10\text{kHz}$  to  $210\text{kHz}$ , by placing a resistor divider network between the input source and the  $V_{REF}$  output of the VFC121. This produces a positive voltage at  $+V_{IN}$  when the input to the circuit is grounded. This circuit makes use of the high input impedance at  $+V_{IN}$ .

The transfer function of this circuit is:

$$V_{IN} = \frac{f_{OUT} - 10\text{kHz}}{100\text{kHz}} \text{ V}$$

To trim the circuit, first apply  $2\text{V}$  to the analog input, and adjust  $R_1$  to give a full scale output frequency of  $210\text{kHz}$ . Then apply  $0\text{V}$  to the analog input, and adjust  $R_2$  until the output frequency is  $10\text{kHz}$ . For absolute precision, it may be necessary to make several iterations trimming  $R_1$  and  $R_2$ . In most cases, one iteration will be enough, since the effect of  $R_2$  on

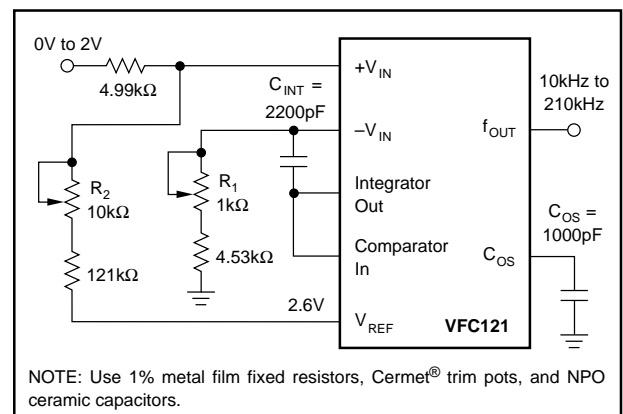


FIGURE 4. Offsetting the Output Frequency.

full scale output frequency is attenuated by the divider network, which sees only a 0.6V total delta at full scale (2.6V at  $V_{REF}$  minus 2V full scale input) as compared with a 2.6V delta at a 0V input level.

### USING THE VFC121 THERMOMETER VOLTAGE

Because of the high input impedance of the VFC121 (which results from using the non-inverting input to the integrating op amp), it is relatively simple to use a standard multiplexer in front of the VFC121. One of the possible reason to multiplex the input to the VFC121 is to use it to track temperature changes in the operating environment of the electronics in a system, in addition to using the VFC121 in its normal mode to measure an analog signal.

Figure 5 shows a way to do this. In this circuit, the normal analog input signals to be multiplexed through the VFC121 have a full scale voltage of 2V, and generate a full scale output frequency of 100kHz. To measure the electronics system temperature, the user selects the multiplexer channel connected to the thermometer voltage on pin 3. A measured output frequency from the VFC121, with the multiplexer on channel 8, now corresponds to the temperature of the electronics as follows:

$$\text{Temp } (^{\circ}\text{C}) = \frac{\text{Output Frequency} - 13,650}{50}$$

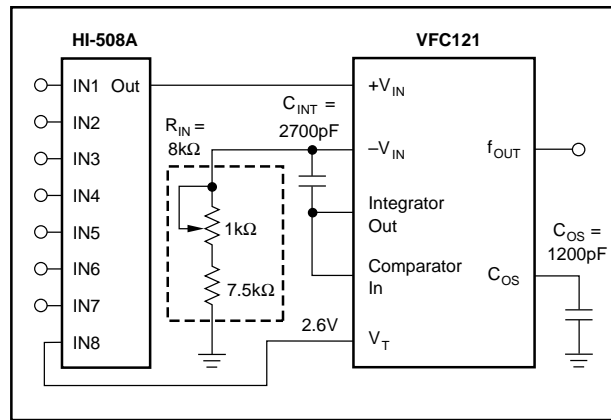


FIGURE 5. Measuring System Temperature.



## **IMPORTANT NOTICE**

Texas Instruments and its subsidiaries (TI) reserve the right to make changes to their products or to discontinue any product or service without notice, and advise customers to obtain the latest version of relevant information to verify, before placing orders, that information being relied on is current and complete. All products are sold subject to the terms and conditions of sale supplied at the time of order acknowledgment, including those pertaining to warranty, patent infringement, and limitation of liability.

TI warrants performance of its semiconductor products to the specifications applicable at the time of sale in accordance with TI's standard warranty. Testing and other quality control techniques are utilized to the extent TI deems necessary to support this warranty. Specific testing of all parameters of each device is not necessarily performed, except those mandated by government requirements.

Customers are responsible for their applications using TI components.

In order to minimize risks associated with the customer's applications, adequate design and operating safeguards must be provided by the customer to minimize inherent or procedural hazards.

TI assumes no liability for applications assistance or customer product design. TI does not warrant or represent that any license, either express or implied, is granted under any patent right, copyright, mask work right, or other intellectual property right of TI covering or relating to any combination, machine, or process in which such semiconductor products or services might be or are used. TI's publication of information regarding any third party's products or services does not constitute TI's approval, warranty or endorsement thereof.