

# TLC2543C, TLC2543I, TLC2543M 12-BIT ANALOG-TO-DIGITAL CONVERTERS WITH SERIAL CONTROL AND 11 ANALOG INPUTS

SLAS079F – DECEMBER 1993 – REVISED NOVEMBER 2001

- 12-Bit-Resolution A/D Converter
- 10- $\mu$ s Conversion Time Over Operating Temperature
- 11 Analog Input Channels
- 3 Built-In Self-Test Modes
- Inherent Sample-and-Hold Function
- Linearity Error . . .  $\pm 1$  LSB Max
- On-Chip System Clock
- End-of-Conversion Output
- Unipolar or Bipolar Output Operation (Signed Binary With Respect to 1/2 the Applied Voltage Reference)
- Programmable MSB or LSB First
- Programmable Power Down
- Programmable Output Data Length
- CMOS Technology
- Application Report Available†

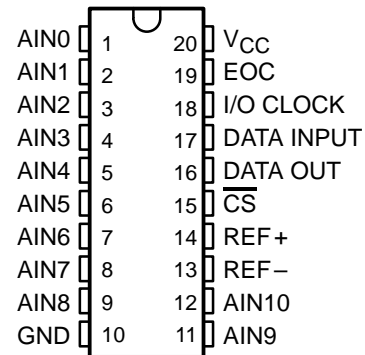
## description

The TLC2543C and TLC2543I are 12-bit, switched-capacitor, successive-approximation, analog-to-digital converters. Each device, with three control inputs [chip select ( $\overline{CS}$ ), the input-output clock, and the address input (DATA INPUT)], is designed for communication with the serial port of a host processor or peripheral through a serial 3-state output. The device allows high-speed data transfers from the host.

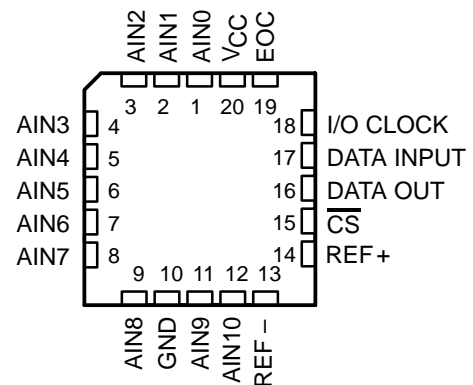
In addition to the high-speed converter and versatile control capability, the device has an on-chip 14-channel multiplexer that can select any one of 11 inputs or any one of three internal self-test voltages. The sample-and-hold function is automatic. At the end of conversion, the end-of-conversion (EOC) output goes high to indicate that conversion is complete. The converter incorporated in the device features differential high-impedance reference inputs that facilitate ratiometric conversion, scaling, and isolation of analog circuitry from logic and supply noise. A switched-capacitor design allows low-error conversion over the full operating temperature range.

The TLC2543C is characterized for operation from  $T_A = 0^\circ\text{C}$  to  $70^\circ\text{C}$ . The TLC2543I is characterized for operation from  $T_A = -40^\circ\text{C}$  to  $85^\circ\text{C}$ . The TLC2543M is characterized for operation from  $T_A = -55^\circ\text{C}$  to  $125^\circ\text{C}$ .

DB, DW, J, OR N PACKAGE  
(TOP VIEW)



FN PACKAGE  
(TOP VIEW)



Please be aware that an important notice concerning availability, standard warranty, and use in critical applications of Texas Instruments semiconductor products and disclaimers thereto appears at the end of this data sheet.

† Microcontroller Based Data Acquisition Using the TLC2543 12-bit Serial-Out ADC (SLAA012)

PRODUCTION DATA information is current as of publication date. Products conform to specifications per the terms of Texas Instruments standard warranty. Production processing does not necessarily include testing of all parameters.



POST OFFICE BOX 655303 • DALLAS, TEXAS 75265

Copyright © 2001, Texas Instruments Incorporated  
On products compliant to MIL-PRF-38535, all parameters are tested unless otherwise noted. On all other products, production processing does not necessarily include testing of all parameters.

# TLC2543C, TLC2543I, TLC2543M 12-BIT ANALOG-TO-DIGITAL CONVERTERS WITH SERIAL CONTROL AND 11 ANALOG INPUTS

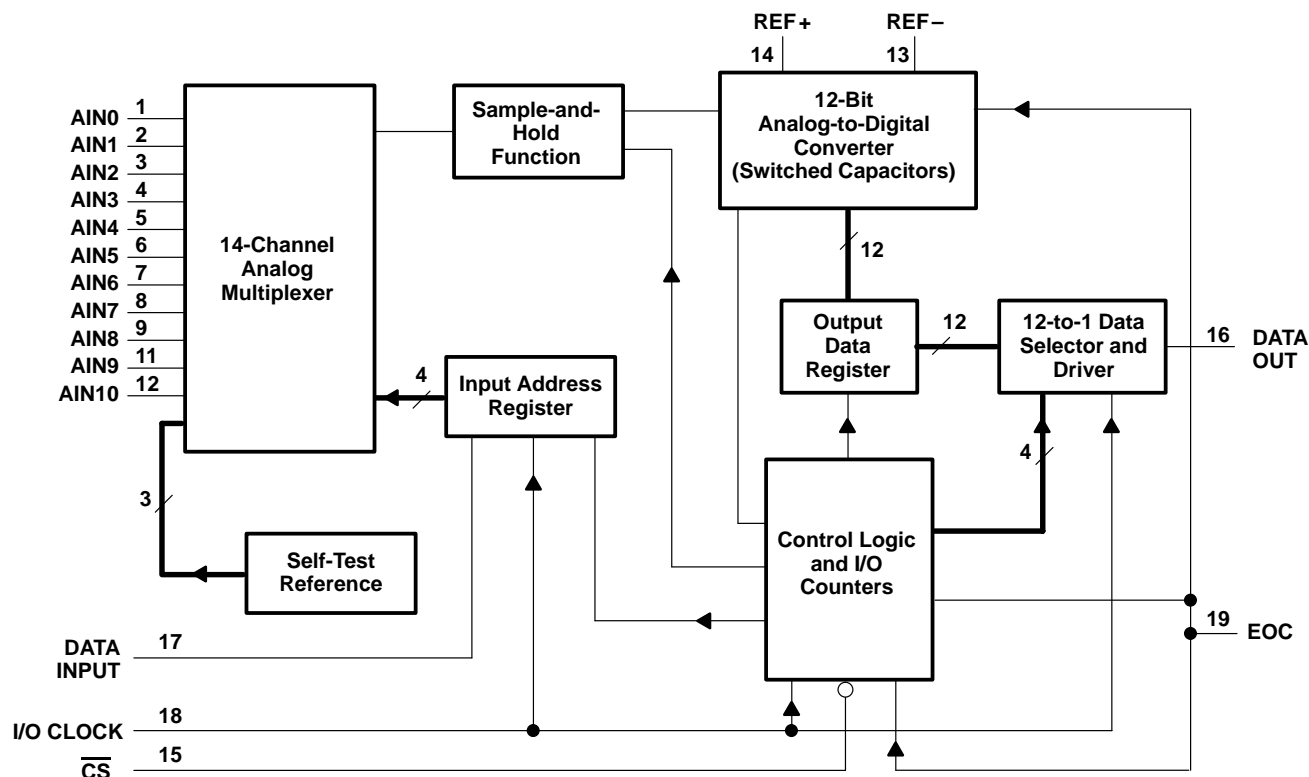
SLAS079F – DECEMBER 1993 – REVISED NOVEMBER 2001

## AVAILABLE OPTIONS

| T <sub>A</sub> | PACKAGE       |            |                      |             |             |
|----------------|---------------|------------|----------------------|-------------|-------------|
|                | SMALL OUTLINE |            | PLASTIC CHIP CARRIER | CERAMIC DIP | PLASTIC DIP |
|                | (DB)†         | (DW)†      | (FN)†                | (J)         | (N)         |
| 0°C to 70°C    | TLC2543CDB    | TLC2543CDW | TLC2543CFN           | —           | TLC2543CN   |
| –40°C to 85°C  | TLC2543IDB    | TLC2543IDW | TLC2543IFN           | —           | TLC2543IN   |
| –55°C to 125°C | —             | —          | —                    | TLC2543MJ   | —           |

† Available in tape and reel and ordered as the TLC2543CDBLE, TLC2543IDBR, TLC2543CDWR, TLC2543IDWR, TLC2543CFNR, or TLC2543IFNR.

## functional block diagram



**TLC2543C, TLC2543I, TLC2543M**  
**12-BIT ANALOG-TO-DIGITAL CONVERTERS**  
**WITH SERIAL CONTROL AND 11 ANALOG INPUTS**

SLAS079F – DECEMBER 1993 – REVISED NOVEMBER 2001

**Terminal Functions**

| TERMINAL<br>NAME | NO.            | I/O | DESCRIPTION   |
|------------------|----------------|-----|---|
| AIN0 – AIN10     | 1–9,<br>11, 12 | I   | Analog input. These 11 analog-signal inputs are internally multiplexed. The driving source impedance should be less than or equal to 50 $\Omega$ for 4.1-MHz I/O CLOCK operation and be capable of slewing the analog input voltage into a capacitance of 60 pF.  |
| $\overline{CS}$  | 15             | I   | Chip select. A high-to-low transition on $\overline{CS}$ resets the internal counters and controls and enables DATA OUT, DATA INPUT, and I/O CLOCK. A low-to-high transition disables DATA INPUT and I/O CLOCK within a setup time.   |
| DATA INPUT       | 17             | I   | Serial-data input. A 4-bit serial address selects the desired analog input or test voltage to be converted next. The serial data is presented with the MSB first and is shifted in on the first four rising edges of I/O CLOCK. After the four address bits are read into the address register, I/O CLOCK clocks the remaining bits in order.   |
| DATA OUT         | 16             | O   | The 3-state serial output for the A/D conversion result. DATA OUT is in the high-impedance state when $\overline{CS}$ is high and active when $\overline{CS}$ is low. With a valid $\overline{CS}$ , DATA OUT is removed from the high-impedance state and is driven to the logic level corresponding to the MSB/LSB <sup>†</sup> value of the previous conversion result. The next falling edge of I/O CLOCK drives DATA OUT to the logic level corresponding to the next MSB/LSB, and the remaining bits are shifted out in order.  |
| EOC              | 19             | O   | End of conversion. EOC goes from a high to a low logic level after the falling edge of the last I/O CLOCK and remains low until the conversion is complete and the data is ready for transfer.  |
| GND              | 10             |     | Ground. GND is the ground return terminal for the internal circuitry. Unless otherwise noted, all voltage measurements are with respect to GND.   |
| I/O CLOCK        | 18             | I   | Input/output clock. I/O CLOCK receives the serial input and performs the following four functions:<br>1. It clocks the eight input data bits into the input data register on the first eight rising edges of I/O CLOCK with the multiplexer address available after the fourth rising edge.<br>2. On the fourth falling edge of I/O CLOCK, the analog input voltage on the selected multiplexer input begins charging the capacitor array and continues to do so until the last falling edge of the I/O CLOCK.<br>3. It shifts the 11 remaining bits of the previous conversion data out on DATA OUT. Data changes on the falling edge of I/O CLOCK.<br>4. It transfers control of the conversion to the internal state controller on the falling edge of the last I/O CLOCK. |
| REF+             | 14             | I   | Positive reference voltage. The upper reference voltage value (nominally $V_{CC}$ ) is applied to REF+. The maximum input voltage range is determined by the difference between the voltage applied to this terminal and the voltage applied to the REF– terminal.  |
| REF–             | 13             | I   | Negative reference voltage. The lower reference voltage value (nominally ground) is applied to REF–.  |
| $V_{CC}$         | 20             |     | Positive supply voltage   |

<sup>†</sup> MSB/LSB = Most significant bit / least significant bit

# TLC2543C, TLC2543I, TLC2543M

## 12-BIT ANALOG-TO-DIGITAL CONVERTERS

### WITH SERIAL CONTROL AND 11 ANALOG INPUTS

SLAS079F – DECEMBER 1993 – REVISED NOVEMBER 2001

#### absolute maximum ratings over operating free-air temperature range (unless otherwise noted)†

|  |          |                            |
|--|----------|----------------------------|
| Supply voltage range, $V_{CC}$ (see Note 1)                      | .....    | -0.5 V to 6.5 V            |
| Input voltage range, $V_I$ (any input)                           | .....    | -0.3 V to $V_{CC} + 0.3$ V |
| Output voltage range, $V_O$                                      | .....    | -0.3 V to $V_{CC} + 0.3$ V |
| Positive reference voltage, $V_{ref+}$                           | .....    | $V_{CC} + 0.1$ V           |
| Negative reference voltage, $V_{ref-}$                           | .....    | -0.1 V                     |
| Peak input current, $I_I$ (any input)                            | .....    | $\pm 20$ mA                |
| Peak total input current, $I_I$ (all inputs)                     | .....    | $\pm 30$ mA                |
| Operating free-air temperature range, $T_A$ :                    | TLC2543C | 0°C to 70°C                |
|  | TLC2543I | -40°C to 85°C              |
|  | TLC2543M | -55°C to 125°C             |
| Storage temperature range, $T_{stg}$                             | .....    | -65°C to 150°C             |
| Lead temperature 1,6 mm (1/16 inch) from the case for 10 seconds | .....    | 260°C                      |

† Stresses beyond those listed under “absolute maximum ratings” may cause permanent damage to the device. These are stress ratings only, and functional operation of the device at these or any other conditions beyond those indicated under “recommended operating conditions” is not implied. Exposure to absolute-maximum-rated conditions for extended periods may affect device reliability.

NOTE 1: All voltage values are with respect to the GND terminal with REF- and GND wired together (unless otherwise noted).

#### recommended operating conditions

|  | MIN                       | NOM      | MAX            | UNIT       |
|--|---------------------------|----------|----------------|------------|
| Supply voltage, $V_{CC}$   | 4.5                       | 5        | 5.5            | V          |
| Positive reference voltage, $V_{ref+}$ (see Note 2)  | $V_{CC}$                  |          |                | V          |
| Negative reference voltage, $V_{ref-}$ (see Note 2)  | 0                         |          |                | V          |
| Differential reference voltage, $V_{ref+} - V_{ref-}$ (see Note 2)   | 2.5                       | $V_{CC}$ | $V_{CC} + 0.1$ | V          |
| Analog input voltage (see Note 2)  | 0                         | $V_{CC}$ |                | V          |
| High-level control input voltage, $V_{IH}$   | $V_{CC} = 4.5$ V to 5.5 V |          |                | V          |
| Low-level control input voltage, $V_{IL}$  | $V_{CC} = 4.5$ V to 5.5 V |          |                | V          |
| Clock frequency at I/O CLOCK   | 0                         | 4.1      |                | MHz        |
| Setup time, address bits at DATA INPUT before I/O CLOCK $\uparrow$ , $t_{su(A)}$ (see Figure 4)              | 100                       |          |                | ns         |
| Hold time, address bits after I/O CLOCK $\uparrow$ , $t_h(A)$ (see Figure 4)                                 | 0                         |          |                | ns         |
| Hold time, $\overline{CS}$ low after last I/O CLOCK $\downarrow$ , $t_h(CS)$ (see Figure 5)                  | 0                         |          |                | ns         |
| Setup time, $\overline{CS}$ low before clocking in first address bit, $t_{su(CS)}$ (see Note 3 and Figure 5) | 1.425                     |          |                | $\mu$ s    |
| Pulse duration, I/O CLOCK high, $t_{wH(I/O)}$  | 120                       |          |                | ns         |
| Pulse duration, I/O CLOCK low, $t_{wL(I/O)}$   | 120                       |          |                | ns         |
| Transition time, I/O CLOCK high to low, $t_{t(I/O)}$ (see Note 4 and Figure 6)                               |                           |          |                | 1 $\mu$ s  |
| Transition time, DATA INPUT and $\overline{CS}$ , $t_t(CS)$  |                           |          |                | 10 $\mu$ s |
| Operating free-air temperature, $T_A$  | TLC2543C                  | 0        | 70             | °C         |
|  | TLC2543I                  | -40      | 85             |            |
|  | TLC2543M                  | -55      | 125            |            |

NOTES: 2. Analog input voltages greater than that applied to REF+ convert as all ones (11111111111), while input voltages less than that applied to REF- convert as all zeros (000000000000).

3. To minimize errors caused by noise at the  $\overline{CS}$  input, the internal circuitry waits for a setup time after  $\overline{CS}\downarrow$  before responding to control input signals. No attempt should be made to clock in an address until the minimum  $\overline{CS}$  setup time has elapsed.

4. This is the time required for the clock input signal to fall from  $V_{IHmin}$  to  $V_{ILmax}$  or to rise from  $V_{ILmax}$  to  $V_{IHmin}$ . In the vicinity of normal room temperature, the devices function with input clock transition time as slow as 1  $\mu$ s for remote data acquisition applications where the sensor and the A/D converter are placed several feet away from the controlling microprocessor.



**TLC2543C, TLC2543I, TLC2543M**  
**12-BIT ANALOG-TO-DIGITAL CONVERTERS**  
**WITH SERIAL CONTROL AND 11 ANALOG INPUTS**

SLAS079F – DECEMBER 1993 – REVISED NOVEMBER 2001

**electrical characteristics over recommended operating free-air temperature range,**  
 **$V_{CC} = V_{ref+} = 4.5\text{ V to }5.5\text{ V}$ ,  $f_{(I/O\text{ CLOCK})} = 4.1\text{ MHz}$  (unless otherwise noted)**

| PARAMETER   |   | TEST CONDITIONS  | TLC2543C, TLC2543I   |      |     | UNIT |
|---|---|--|----------------------|------|-----|------|
|   |   |  | MIN                  | TYP† | MAX |      |
| V <sub>OH</sub>                                   | High-level output voltage               | V <sub>CC</sub> = 4.5 V, I <sub>OH</sub> = -1.6 mA   | 2.4                  |      |     | V    |
|   |   | V <sub>CC</sub> = 4.5 V to 5.5 V, I <sub>OH</sub> = -20 μA                                     | V <sub>CC</sub> -0.1 |      |     |      |
| V <sub>OL</sub>                                   | Low-level output voltage                | V <sub>CC</sub> = 4.5 V, I <sub>OL</sub> = 1.6 mA  | 0.4                  |      |     | V    |
|   |   | V <sub>CC</sub> = 4.5 V to 5.5 V, I <sub>OL</sub> = 20 μA                                      | 0.1                  |      |     |      |
| I <sub>OZ</sub>                                   | High-impedance off-state output current | V <sub>O</sub> = V <sub>CC</sub> , $\overline{\text{CS}}$ at V <sub>CC</sub>                   | 1                    | 2.5  |     | μA   |
|   |   | V <sub>O</sub> = 0, $\overline{\text{CS}}$ at V <sub>CC</sub>                                  | 1                    | -2.5 |     |      |
| I <sub>IH</sub>                                   | High-level input current                | V <sub>I</sub> = V <sub>CC</sub>   | 1                    | 2.5  |     | μA   |
| I <sub>IL</sub>                                   | Low-level input current                 | V <sub>I</sub> = 0   | 1                    | -2.5 |     | μA   |
| I <sub>CC</sub>                                   | Operating supply current                | $\overline{\text{CS}}$ at 0 V  | 1                    | 2.5  |     | mA   |
| I <sub>CC(PD)</sub>                               | Power-down current                      | For all digital inputs, 0 ≤ V <sub>I</sub> ≤ 0.5 V or V <sub>I</sub> ≥ V <sub>CC</sub> - 0.5 V | 4                    | 25   |     | μA   |
| Selected channel leakage current                  |   | Selected channel at V <sub>CC</sub> , Unselected channel at 0 V                                | 1                    |      |     | μA   |
|   |   | Selected channel at 0 V, Unselected channel at V <sub>CC</sub>                                 | -1                   |      |     |      |
| Maximum static analog reference current into REF+ |   | V <sub>ref+</sub> = V <sub>CC</sub> , V <sub>ref-</sub> = GND                                  | 1                    | 2.5  |     | μA   |
| C <sub>i</sub>                                    | Input capacitance                       | Analog inputs  | 30                   | 60   |     | pF   |
|   |   | Control inputs   | 5                    | 15   |     |      |

† All typical values are at V<sub>CC</sub> = 5 V, T<sub>A</sub> = 25°C.

**electrical characteristics over recommended operating free-air temperature range,**  
 **$V_{CC} = V_{ref+} = 4.5\text{ V to }5.5\text{ V}$ ,  $f_{(I/O\text{ CLOCK})} = 4.1\text{ MHz}$  (unless otherwise noted)**

| PARAMETER   |   | TEST CONDITIONS  | TLC2543M             |      |     | UNIT |
|---|---|--|----------------------|------|-----|------|
|   |   |  | MIN                  | TYP† | MAX |      |
| V <sub>OH</sub>                                   | High-level output voltage               | V <sub>CC</sub> = 4.5 V, I <sub>OH</sub> = -1.6 mA   | 2.4                  |      |     | V    |
|   |   | V <sub>CC</sub> = 4.5 V to 5.5 V, I <sub>OH</sub> = -20 μA                                     | V <sub>CC</sub> -0.1 |      |     |      |
| V <sub>OL</sub>                                   | Low-level output voltage                | V <sub>CC</sub> = 4.5 V, I <sub>OL</sub> = 1.6 mA  | 0.4                  |      |     | V    |
|   |   | V <sub>CC</sub> = 4.5 V to 5.5 V, I <sub>OL</sub> = 20 μA                                      | 0.1                  |      |     |      |
| I <sub>OZ</sub>                                   | High-impedance off-state output current | V <sub>O</sub> = V <sub>CC</sub> , $\overline{\text{CS}}$ at V <sub>CC</sub>                   | 1                    | 2.5  |     | μA   |
|   |   | V <sub>O</sub> = 0, $\overline{\text{CS}}$ at V <sub>CC</sub>                                  | 1                    | -2.5 |     |      |
| I <sub>IH</sub>                                   | High-level input current                | V <sub>I</sub> = V <sub>CC</sub>   | 1                    | 10   |     | μA   |
| I <sub>IL</sub>                                   | Low-level input current                 | V <sub>I</sub> = 0   | 1                    | -10  |     | μA   |
| I <sub>CC</sub>                                   | Operating supply current                | $\overline{\text{CS}}$ at 0 V  | 1                    | 2.5  |     | mA   |
| I <sub>CC(PD)</sub>                               | Power-down current                      | For all digital inputs, 0 ≤ V <sub>I</sub> ≤ 0.5 V or V <sub>I</sub> ≥ V <sub>CC</sub> - 0.5 V | 4                    | 25   |     | μA   |
| Selected channel leakage current                  |   | Selected channel at V <sub>CC</sub> , Unselected channel at 0 V                                | 10                   |      |     | μA   |
|   |   | Selected channel at 0 V, Unselected channel at V <sub>CC</sub>                                 | -10                  |      |     |      |
| Maximum static analog reference current into REF+ |   | V <sub>ref+</sub> = V <sub>CC</sub> , V <sub>ref-</sub> = GND                                  | 1                    | 2.5  |     | μA   |
| C <sub>i</sub>                                    | Input capacitance                       | Analog inputs  | 30                   | 60   |     | pF   |
|   |   | Control inputs   | 5                    | 15   |     |      |

† All typical values are at V<sub>CC</sub> = 5 V, T<sub>A</sub> = 25°C.



# TLC2543C, TLC2543I, TLC2543M

## 12-BIT ANALOG-TO-DIGITAL CONVERTERS

### WITH SERIAL CONTROL AND 11 ANALOG INPUTS

SLAS079F – DECEMBER 1993 – REVISED NOVEMBER 2001

operating characteristics over recommended operating free-air temperature range,  
 $V_{CC} = V_{ref+} = 4.5\text{ V to }5.5\text{ V}$ ,  $f_{(I/O\text{ CLOCK})} = 4.1\text{ MHz}$

| PARAMETER                                      |  | TEST CONDITIONS             | MIN | TYP† | MAX  | UNIT              |
|--|--|-----------------------------|-----|------|--|-------------------|
| $E_L$  | Linearity error (see Note 5)   | See Figure 2                |     |      | ±1   | LSB               |
| $E_D$  | Differential linearity error   | See Figure 2                |     |      | ±1   | LSB               |
| $E_O$  | Offset error (see Note 6)  | See Note 2 and Figure 2     |     |      | ±1.5   | LSB               |
| $E_G$  | Gain error (see Note 6)  | See Note 2 and Figure 2     |     |      | ±1   | LSB               |
| $E_T$  | Total unadjusted error (see Note 7)  |                             |     |      | ±1.75  | LSB               |
| Self-test output code (see Table 3 and Note 8) |  | DATA INPUT = 1011           |     | 2048 |  |                   |
|  |  | DATA INPUT = 1100           |     | 0    |  |                   |
|  |  | DATA INPUT = 1101           |     | 4095 |  |                   |
| $t_{(conv)}$                                   | Conversion time  | See Figures 9–14            |     | 8    | 10   | μs                |
| $t_c$  | Total cycle time (access, sample, and conversion)                                  | See Figures 9–14 and Note 9 |     |      | 10 + total I/O CLOCK periods + $t_d(I/O\text{-EOC})$ | μs                |
| $t_{acq}$                                      | Channel acquisition time (sample)  | See Figures 9–14 and Note 9 | 4   |      | 12   | I/O CLOCK periods |
| $t_v$  | Valid time, DATA OUT remains valid after I/O CLOCK↓                                | See Figure 6                | 10  |      |  | ns                |
| $t_d(I/O\text{-DATA})$                         | Delay time, I/O CLOCK↓ to DATA OUT valid   | See Figure 6                |     |      | 150  | ns                |
| $t_d(I/O\text{-EOC})$                          | Delay time, last I/O CLOCK↓ to EOC↓  | See Figure 7                |     | 1.5  | 2.2  | μs                |
| $t_d(\text{EOC-DATA})$                         | Delay time, EOC↑ to DATA OUT (MSB/LSB)   | See Figure 8                |     |      | 100  | ns                |
| $t_{PZH}$ , $t_{PZL}$                          | Enable time, $\overline{CS}$ ↓ to DATA OUT (MSB/LSB driven)                        | See Figure 3                |     | 0.7  | 1.3  | μs                |
| $t_{PHZ}$ , $t_{PLZ}$                          | Disable time, $\overline{CS}$ ↑ to DATA OUT (high impedance)                       | See Figure 3                |     | 70   | 150  | ns                |
| $t_r(\text{EOC})$                              | Rise time, EOC   | See Figure 8                |     | 15   | 50   | ns                |
| $t_f(\text{EOC})$                              | Fall time, EOC   | See Figure 7                |     | 15   | 50   | ns                |
| $t_r(\text{bus})$                              | Rise time, data bus  | See Figure 6                |     | 15   | 50   | ns                |
| $t_f(\text{bus})$                              | Fall time, data bus  | See Figure 6                |     | 15   | 50   | ns                |
| $t_d(I/O\text{-CS})$                           | Delay time, last I/O CLOCK↓ to $\overline{CS}$ ↓ to abort conversion (see Note 10) |                             |     |      | 5  | μs                |

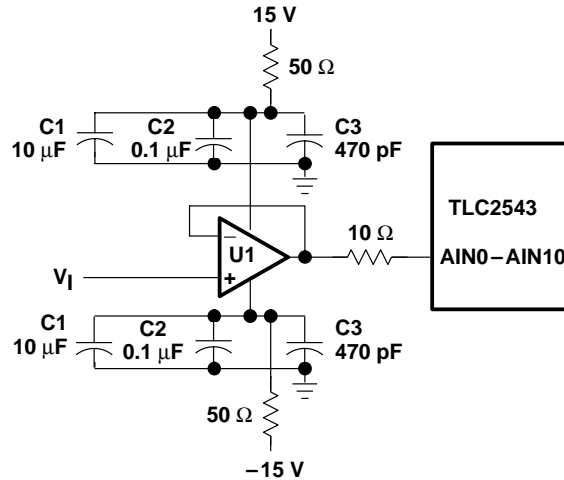
† All typical values are at  $T_A = 25^\circ\text{C}$ .

NOTES: 2. Analog input voltages greater than that applied to REF+ convert as all ones (11111111111), while input voltages less than that applied to REF– convert as all zeros (00000000000).

5. Linearity error is the maximum deviation from the best straight line through the A/D transfer characteristics.
6. Gain error is the difference between the actual midstep value and the nominal midstep value in the transfer diagram at the specified gain point after the offset error has been adjusted to zero. Offset error is the difference between the actual midstep value and the nominal midstep value at the offset point.
7. Total unadjusted error comprises linearity, zero-scale, and full-scale errors.
8. Both the input address and the output codes are expressed in positive logic.
9. I/O CLOCK period =  $1/(I/O\text{ CLOCK frequency})$  (see Figure 7).
10. Any transitions of  $\overline{CS}$  are recognized as valid only when the level is maintained for a setup time.  $\overline{CS}$  must be taken low at  $\leq 5\text{ }\mu\text{s}$  of the tenth I/O CLOCK falling edge to ensure a conversion is aborted. Between  $5\text{ }\mu\text{s}$  and  $10\text{ }\mu\text{s}$ , the result is uncertain as to whether the conversion is aborted or the conversion results are valid.

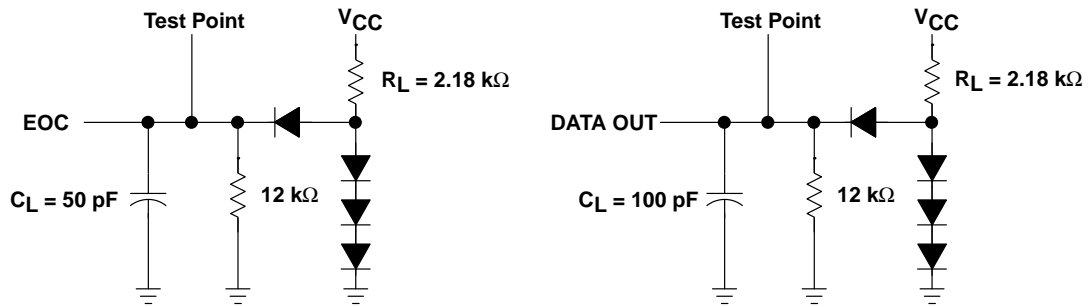


**PARAMETER MEASUREMENT INFORMATION**

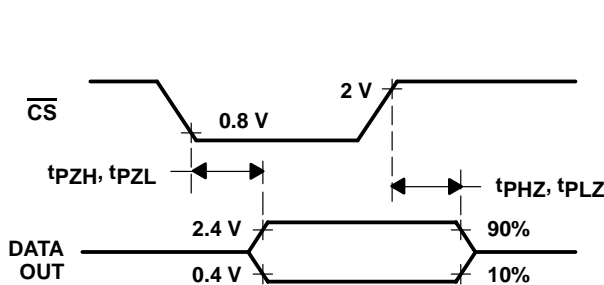


| LOCATION | DESCRIPTION                            | PART NUMBER                           |
|----------|--|---------------------------------------|
| U1       | OP27                                   | —                                     |
| C1       | 10- $\mu$ F 35-V tantalum capacitor    | —                                     |
| C2       | 0.1- $\mu$ F ceramic NPO SMD capacitor | AVX 12105C104KA105 or equivalent      |
| C3       | 470-pF porcelain Hi-Q SMD capacitor    | Johanson 201S420471JG4L or equivalent |

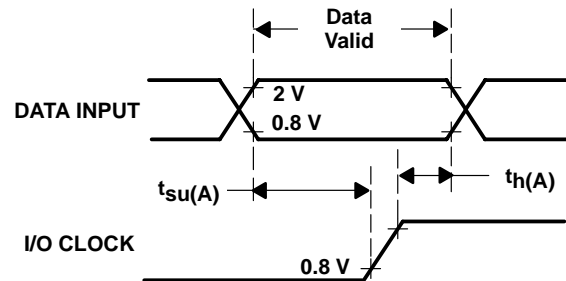
**Figure 1. Analog Input Buffer to Analog Inputs AIN0–AIN10**



**Figure 2. Load Circuits**



**Figure 3. DATA OUT to Hi-Z Voltage Waveforms**

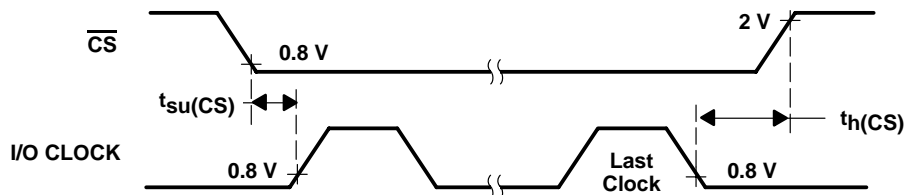


**Figure 4. DATA INPUT and I/O CLOCK Voltage Waveforms**

**TLC2543C, TLC2543I, TLC2543M**  
**12-BIT ANALOG-TO-DIGITAL CONVERTERS**  
**WITH SERIAL CONTROL AND 11 ANALOG INPUTS**

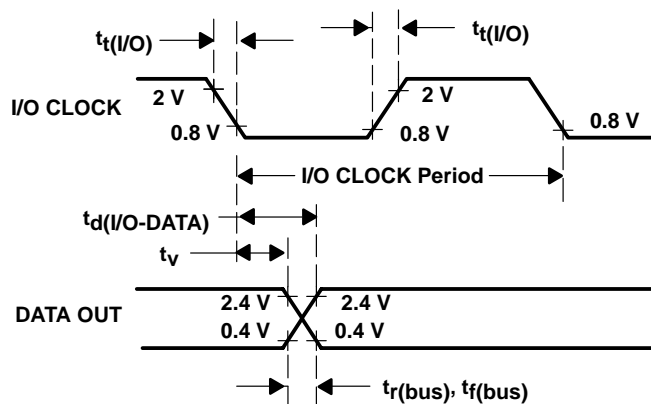
SLAS079F – DECEMBER 1993 – REVISED NOVEMBER 2001

**PARAMETER MEASUREMENT INFORMATION**

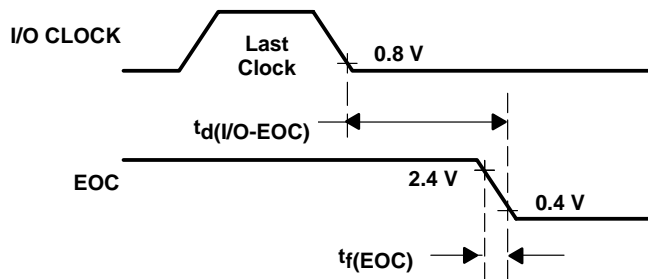


NOTE A: To ensure full conversion accuracy, it is recommended that no input signal change occurs while a conversion is ongoing.

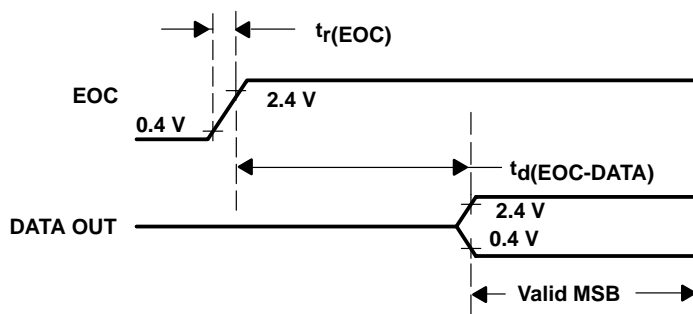
**Figure 5. CS and I/O CLOCK Voltage Waveforms**



**Figure 6. I/O CLOCK and DATA OUT Voltage Waveforms**



**Figure 7. I/O CLOCK and EOC Voltage Waveforms**

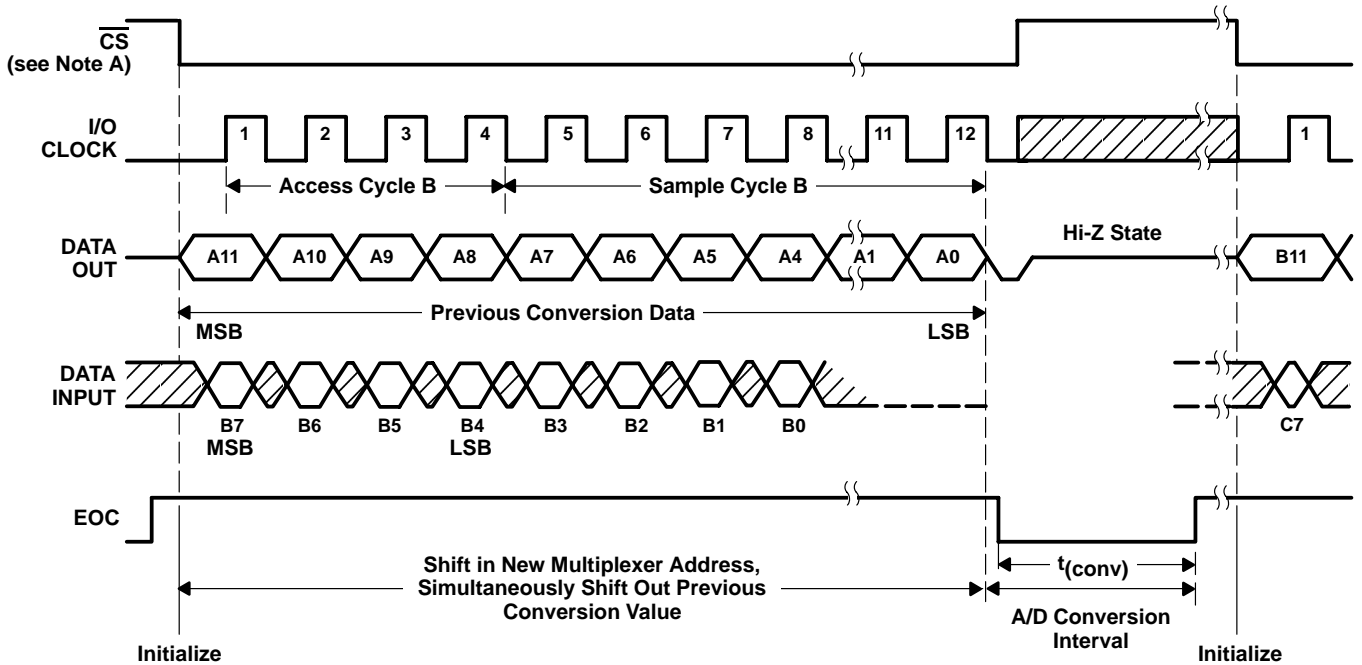


**Figure 8. EOC and DATA OUT Voltage Waveforms**



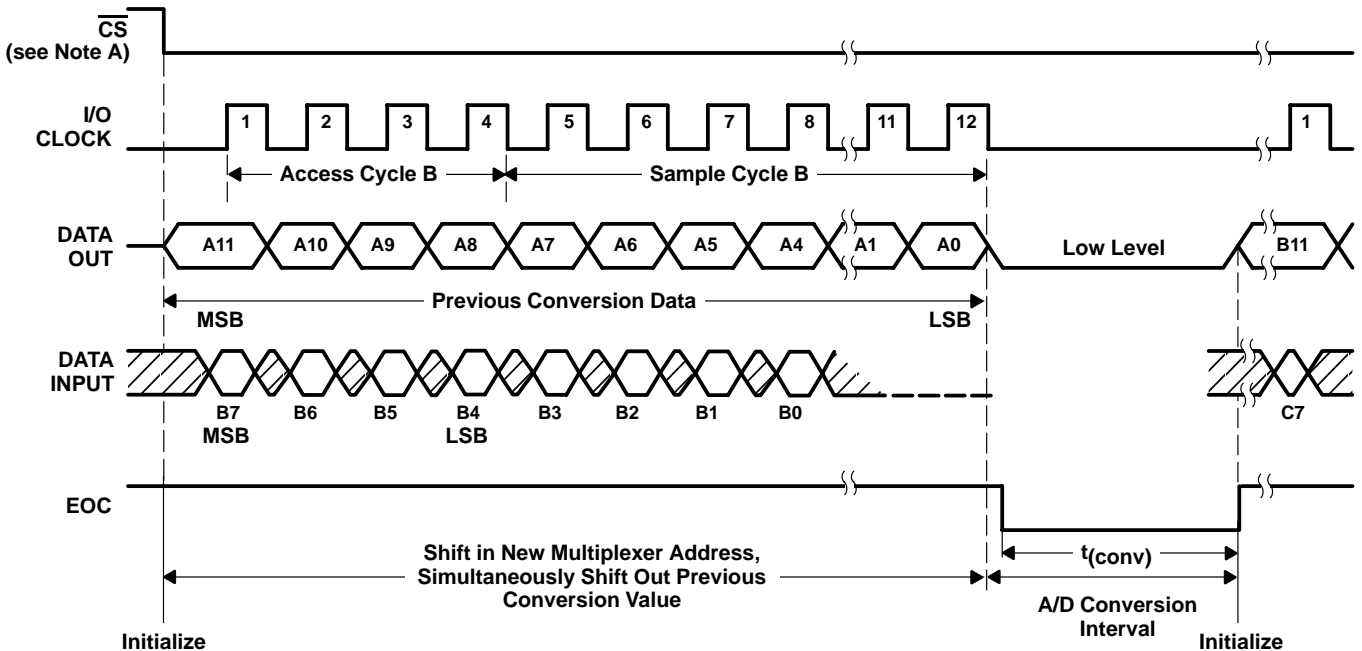


PARAMETER MEASUREMENT INFORMATION



NOTE A: To minimize errors caused by noise at  $\overline{CS}$ , the internal circuitry waits for a setup time after  $\overline{CS}\downarrow$  before responding to control input signals. Therefore, no attempt should be made to clock in an address until the minimum  $\overline{CS}$  setup time has elapsed.

Figure 9. Timing for 12-Clock Transfer Using  $\overline{CS}$  With MSB First



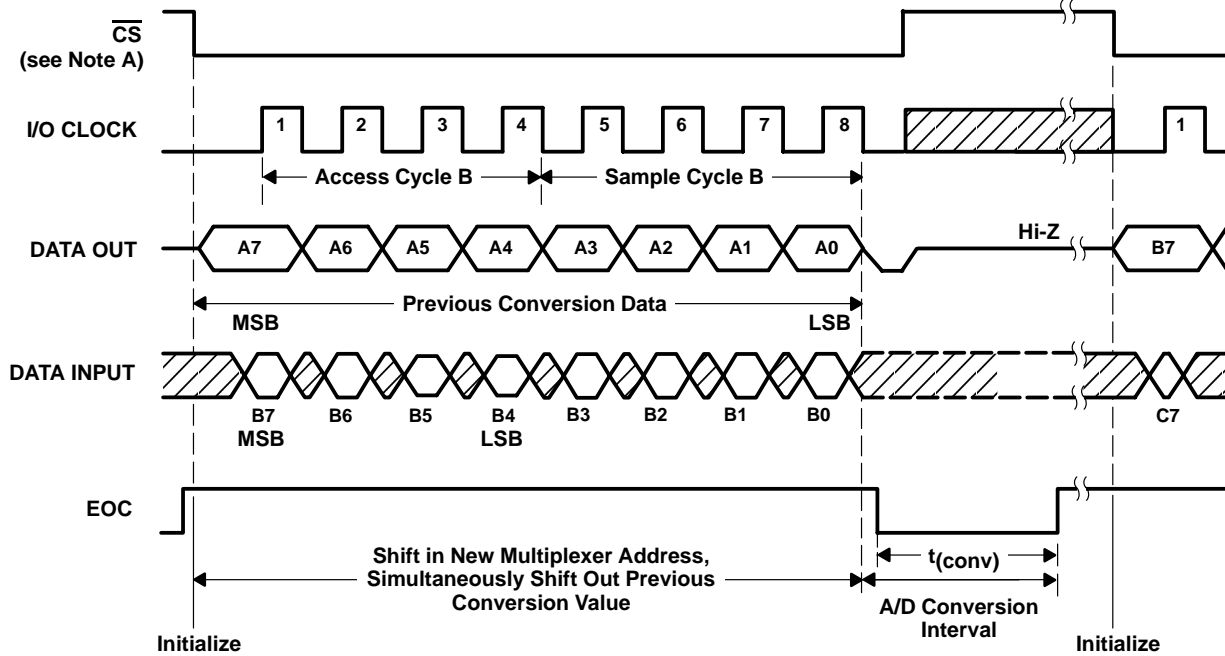
NOTE A: To minimize errors caused by noise at  $\overline{CS}$ , the internal circuitry waits for a setup time after  $\overline{CS}\downarrow$  before responding to control input signals. Therefore, no attempt should be made to clock in an address until the minimum  $\overline{CS}$  setup time has elapsed.

Figure 10. Timing for 12-Clock Transfer Not Using  $\overline{CS}$  With MSB First

**TLC2543C, TLC2543I, TLC2543M**  
**12-BIT ANALOG-TO-DIGITAL CONVERTERS**  
**WITH SERIAL CONTROL AND 11 ANALOG INPUTS**

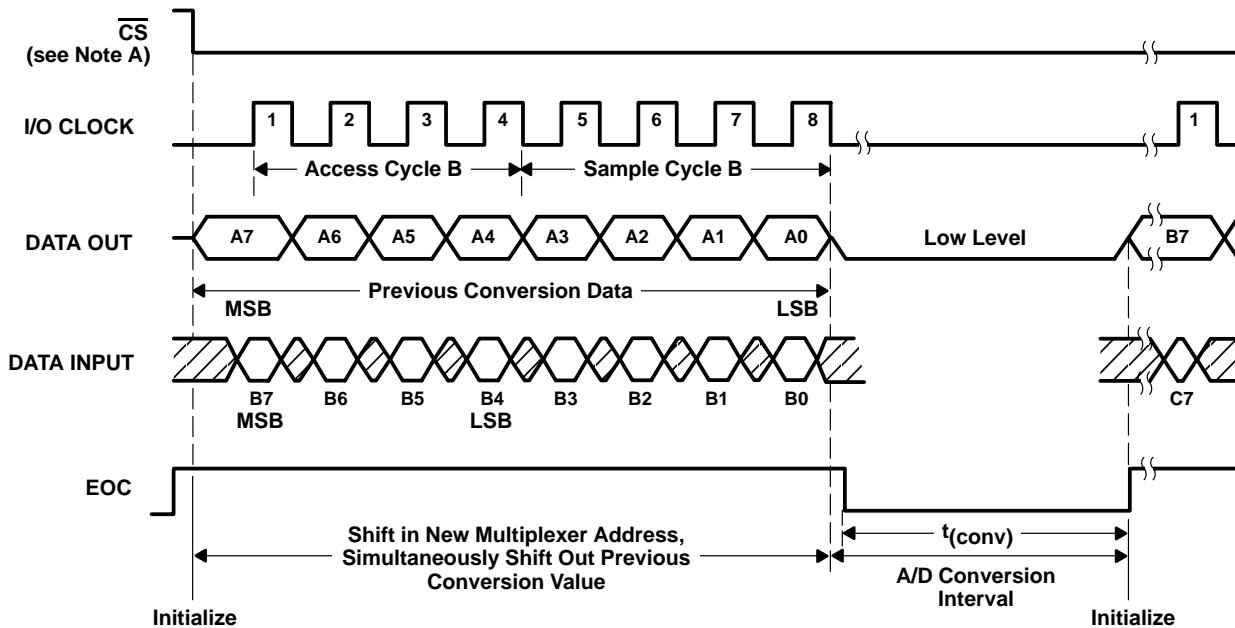
SLAS079F – DECEMBER 1993 – REVISED NOVEMBER 2001

**PARAMETER MEASUREMENT INFORMATION**



NOTE A: To minimize errors caused by noise at  $\overline{CS}$ , the internal circuitry waits for a setup time after  $\overline{CS}\downarrow$  before responding to control input signals. Therefore, no attempt should be made to clock in an address until the minimum  $\overline{CS}$  setup time has elapsed.

**Figure 11. Timing for 8-Clock Transfer Using  $\overline{CS}$  With MSB First**

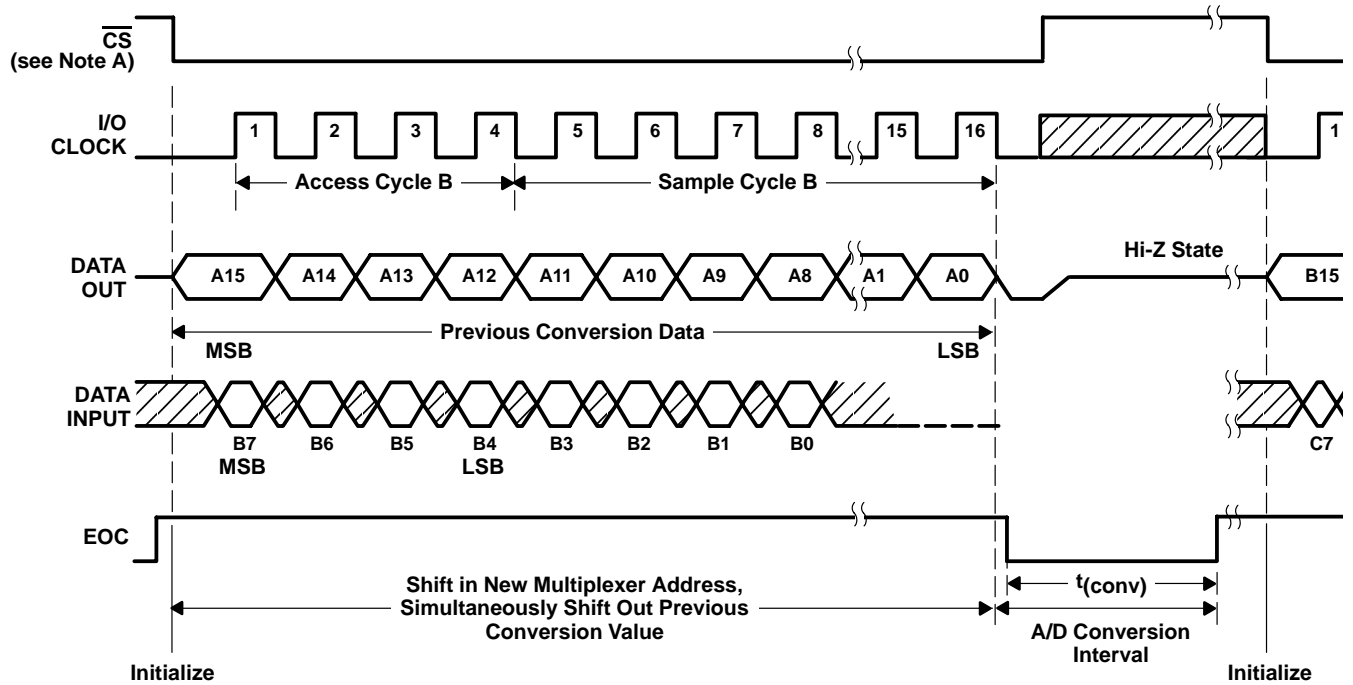


NOTE A: To minimize errors caused by noise at  $\overline{CS}$ , the internal circuitry waits for a setup time after  $\overline{CS}\downarrow$  before responding to control input signals. Therefore, no attempt should be made to clock in an address until the minimum  $\overline{CS}$  setup time has elapsed.

**Figure 12. Timing for 8-Clock Transfer Not Using  $\overline{CS}$  With MSB First**

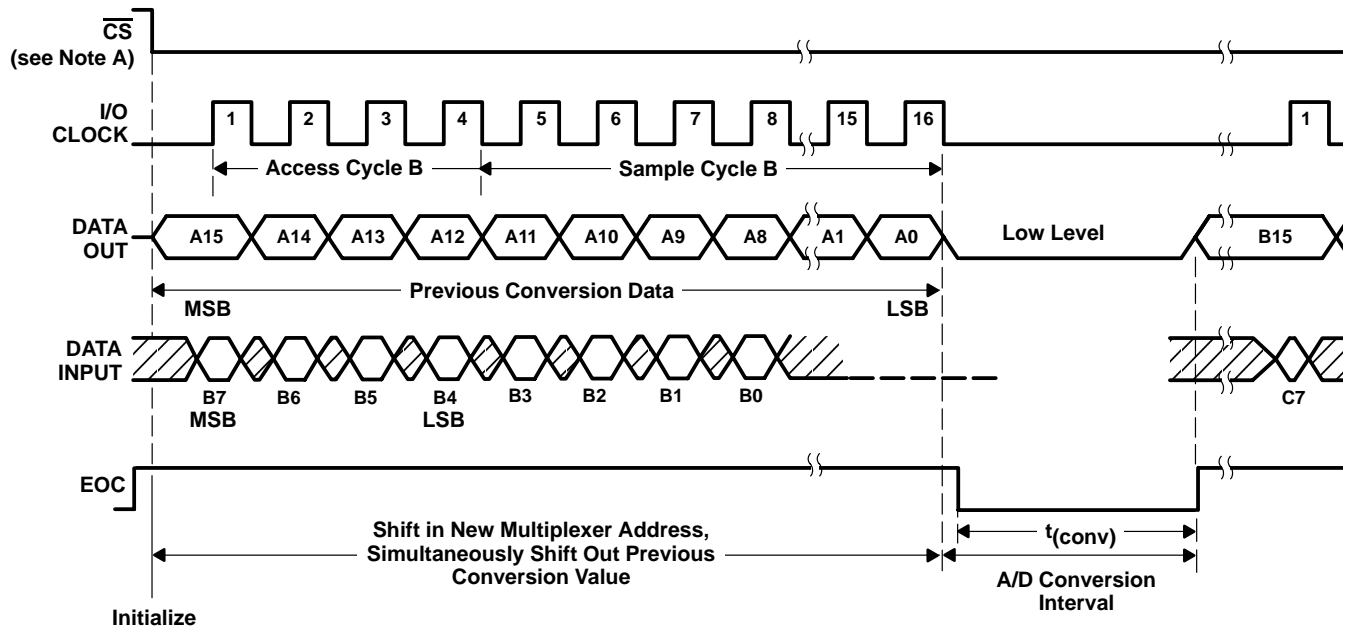


PARAMETER MEASUREMENT INFORMATION



NOTE A: To minimize errors caused by noise at  $\overline{CS}$ , the internal circuitry waits for a setup time after  $\overline{CS}$  before responding to control input signals. Therefore, no attempt should be made to clock in an address until the minimum  $\overline{CS}$  setup time has elapsed.

Figure 13. Timing for 16-Clock Transfer Using  $\overline{CS}$  With MSB First



NOTE A: To minimize errors caused by noise at  $\overline{CS}$ , the internal circuitry waits for a setup time after  $\overline{CS}$  before responding to control input signals. Therefore, no attempt should be made to clock in an address until the minimum  $\overline{CS}$  setup time has elapsed.

Figure 14. Timing for 16-Clock Transfer Not Using  $\overline{CS}$  With MSB First

# TLC2543C, TLC2543I, TLC2543M

## 12-BIT ANALOG-TO-DIGITAL CONVERTERS

### WITH SERIAL CONTROL AND 11 ANALOG INPUTS

SLAS079F – DECEMBER 1993 – REVISED NOVEMBER 2001

---

#### PRINCIPLES OF OPERATION

Initially, with chip select ( $\overline{CS}$ ) high, I/O CLOCK and DATA INPUT are disabled and DATA OUT is in the high-impedance state.  $\overline{CS}$  going low begins the conversion sequence by enabling I/O CLOCK and DATA INPUT and removes DATA OUT from the high-impedance state.

The input data is an 8-bit data stream consisting of a 4-bit analog channel address (D7–D4), a 2-bit data length select (D3–D2), an output MSB or LSB first bit (D1), and a unipolar or bipolar output select bit (D0) that are applied to DATA INPUT. The I/O CLOCK sequence applied to the I/O CLOCK terminal transfers this data to the input data register.

During this transfer, the I/O CLOCK sequence also shifts the previous conversion result from the output data register to DATA OUT. I/O CLOCK receives the input sequence of 8, 12, or 16 clock cycles long depending on the data-length selection in the input data register. Sampling of the analog input begins on the fourth falling edge of the input I/O CLOCK sequence and is held after the last falling edge of the I/O CLOCK sequence. The last falling edge of the I/O CLOCK sequence also takes EOC low and begins the conversion.

#### converter operation

The operation of the converter is organized as a succession of two distinct cycles: 1) the I/O cycle and 2) the actual conversion cycle.

#### I/O cycle

The I/O cycle is defined by the externally provided I/O CLOCK and lasts 8, 12, or 16 clock periods, depending on the selected output data length.

During the I/O cycle, the following two operations take place simultaneously.

An 8-bit data stream consisting of address and control information is provided to DATA INPUT. This data is shifted into the device on the rising edge of the first eight I/O CLOCKS. DATA INPUT is ignored after the first eight clocks during 12- or 16-clock I/O transfers.

The data output, with a length of 8, 12, or 16 bits, is provided serially on DATA OUT. When  $\overline{CS}$  is held low, the first output data bit occurs on the rising edge of EOC. When  $\overline{CS}$  is negated between conversions, the first output data bit occurs on the falling edge of  $\overline{CS}$ . This data is the result of the previous conversion period, and after the first output data bit, each succeeding bit is clocked out on the falling edge of each succeeding I/O CLOCK.

#### conversion cycle

The conversion cycle is transparent to the user, and it is controlled by an internal clock synchronized to I/O CLOCK. During the conversion period, the device performs a successive-approximation conversion on the analog input voltage. The EOC output goes low at the start of the conversion cycle and goes high when conversion is complete and the output data register is latched. A conversion cycle is started only after the I/O cycle is completed, which minimizes the influence of external digital noise on the accuracy of the conversion.



## PRINCIPLES OF OPERATION

### power up and initialization

After power up,  $\overline{CS}$  must be taken from high to low to begin an I/O cycle. EOC is initially high, and the input data register is set to all zeroes. The contents of the output data register are random, and the first conversion result should be ignored. To initialize during operation,  $\overline{CS}$  is taken high and is then returned low to begin the next I/O cycle. The first conversion after the device has returned from the power-down state may not read accurately due to internal device settling.

**Table 1. Operational Terminology**

|                                 |   |
|---------------------------------|---|
| Current (N) I/O cycle           | The entire I/O CLOCK sequence that transfers address and control data into the data register and clocks the digital result from the previous conversion from DATA OUT   |
| Current (N) conversion cycle    | The conversion cycle starts immediately after the current I/O cycle. The end of the current I/O cycle is the last clock falling edge in the I/O CLOCK sequence. The current conversion result is loaded into the output register when conversion is complete. |
| Current (N) conversion result   | The current conversion result is serially shifted out on the next I/O cycle.  |
| Previous (N-1) conversion cycle | The conversion cycle just prior to the current I/O cycle  |
| Next (N+1) I/O cycle            | The I/O period that follows the current conversion cycle  |

Example: In the 12-bit mode, the result of the current conversion cycle is a 12-bit serial-data stream clocked out during the next I/O cycle. The current I/O cycle must be exactly 12 bits long to maintain synchronization, even when this corrupts the output data from the previous conversion. The current conversion is begun immediately after the twelfth falling edge of the current I/O cycle.

**TLC2543C, TLC2543I, TLC2543M**  
**12-BIT ANALOG-TO-DIGITAL CONVERTERS**  
**WITH SERIAL CONTROL AND 11 ANALOG INPUTS**

SLAS079F – DECEMBER 1993 – REVISED NOVEMBER 2001

**PRINCIPLES OF OPERATION**

**data input**

The data input is internally connected to an 8-bit serial-input address and control register. The register defines the operation of the converter and the output data length. The host provides the data word with the MSB first. Each data bit is clocked in on the rising edge of the I/O CLOCK sequence (see Table 2 for the data input-register format).

**Table 2. Input-Register Format**

| FUNCTION SELECT                                  | INPUT DATA BYTE |    |    |    |    |    |      |             |
|--|-----------------|----|----|----|----|----|------|-------------|
|  | ADDRESS BITS    |    |    |    | L1 | L0 | LSBF | BIP         |
|  | D7<br>(MSB)     | D6 | D5 | D4 | D3 | D2 | D1   | D0<br>(LSB) |
| Select input channel                             |                 |    |    |    |    |    |      |             |
| AIN0 _____                                       | 0               | 0  | 0  | 0  |    |    |      |             |
| AIN1 _____                                       | 0               | 0  | 0  | 1  |    |    |      |             |
| AIN2 _____                                       | 0               | 0  | 1  | 0  |    |    |      |             |
| AIN3 _____                                       | 0               | 0  | 1  | 1  |    |    |      |             |
| AIN4 _____                                       | 0               | 1  | 0  | 0  |    |    |      |             |
| AIN5 _____                                       | 0               | 1  | 0  | 1  |    |    |      |             |
| AIN6 _____                                       | 0               | 1  | 1  | 0  |    |    |      |             |
| AIN7 _____                                       | 0               | 1  | 1  | 1  |    |    |      |             |
| AIN8 _____                                       | 1               | 0  | 0  | 0  |    |    |      |             |
| AIN9 _____                                       | 1               | 0  | 0  | 1  |    |    |      |             |
| AIN10 _____                                      | 1               | 0  | 1  | 0  |    |    |      |             |
| Select test voltage                              |                 |    |    |    |    |    |      |             |
| (V <sub>ref+</sub> – V <sub>ref-</sub> )/2 _____ | 1               | 0  | 1  | 1  |    |    |      |             |
| V <sub>ref-</sub> _____                          | 1               | 1  | 0  | 0  |    |    |      |             |
| V <sub>ref+</sub> _____                          | 1               | 1  | 0  | 1  |    |    |      |             |
| Software power down _____                        | 1               | 1  | 1  | 0  |    |    |      |             |
| Output data length                               |                 |    |    |    |    |    |      |             |
| 8 bits _____                                     |                 |    |    |    | 0  | 1  |      |             |
| 12 bits _____                                    |                 |    |    |    | X† | 0  |      |             |
| 16 bits _____                                    |                 |    |    |    | 1  | 1  |      |             |
| Output data format                               |                 |    |    |    |    |    |      |             |
| MSB first _____                                  |                 |    |    |    |    |    | 0    |             |
| LSB first (LSBF) _____                           |                 |    |    |    |    |    | 1    |             |
| Unipolar (binary) _____                          |                 |    |    |    |    |    |      | 0           |
| Bipolar (BIP) 2s complement _____                |                 |    |    |    |    |    |      | 1           |

† X represents a do not care condition.

**data input address bits**

The four MSBs (D7 – D4) of the data register address one of the 11 input channels, a reference-test voltage, or the power-down mode. The address bits affect the current conversion, which is the conversion that immediately follows the current I/O cycle. The reference voltage is nominally equal to V<sub>ref+</sub> – V<sub>ref-</sub>.



## PRINCIPLES OF OPERATION

### data output length

The next two bits (D3 and D2) of the data register select the output data length. The data-length selection is valid for the current I/O cycle (the cycle in which the data is read). The data-length selection, being valid for the current I/O cycle, allows device start-up without losing I/O synchronization. A data length of 8, 12, or 16 bits can be selected. Since the converter has 12-bit resolution, a data length of 12 bits is suggested.

With D3 and D2 set to 00 or 10, the device is in the 12-bit data-length mode and the result of the current conversion is output as a 12-bit serial data stream during the next I/O cycle. The current I/O cycle must be exactly 12 bits long for proper synchronization, even when this means corrupting the output data from a previous conversion. The current conversion is started immediately after the twelfth falling edge of the current I/O cycle.

With bits D3 and D2 set to 11, the 16-bit data-length mode is selected, which allows convenient communication with 16-bit serial interfaces. In the 16-bit mode, the result of the current conversion is output as a 16-bit serial data stream during the next I/O cycle with the four LSBs always reset to 0 (pad bits). The current I/O cycle must be exactly 16 bits long to maintain synchronization even when this means corrupting the output data from the previous conversion. The current conversion is started immediately after the sixteenth falling edge of the current I/O cycle.

With bits D3 and D2 set to 01, the 8-bit data-length mode is selected, which allows fast communication with 8-bit serial interfaces. In the 8-bit mode, the result of the current conversion is output as an 8-bit serial data stream during the next I/O cycle. The current I/O cycle must be exactly eight bits long to maintain synchronization, even when this means corrupting the output data from the previous conversion. The four LSBs of the conversion result are truncated and discarded. The current conversion is started immediately after the eighth falling edge of the current I/O cycle.

Since D3 and D2 take effect on the current I/O cycle when the data length is programmed, there can be a conflict with the previous cycle when the data-word length is changed from one cycle to the next. This may occur when the data format is selected to be least significant bit first, since at the time the data length change becomes effective (six rising edges of I/O CLOCK), the previous conversion result has already started shifting out.

In actual operation, when different data lengths are required within an application and the data length is changed between two conversions, no more than one conversion result can be corrupted and only when it is shifted out in LSB-first format.

### sampling period

During the sampling period, one of the analog inputs is internally connected to the capacitor array of the converter to store the analog input signal. The converter starts sampling the selected input immediately after the four address bits have been clocked into the input data register. Sampling starts on the fourth falling edge of I/O CLOCK. The converter remains in the sampling mode until the eighth, twelfth, or sixteenth falling edge of the I/O CLOCK depending on the data-length selection. After the EOC delay time from the last I/O CLOCK falling edge, the EOC output goes low indicating that the sampling period is over and the conversion period has begun. After EOC goes low, the analog input can be changed without affecting the conversion result. Since the delay from the falling edge of the last I/O CLOCK to EOC low is fixed, time-varying analog input signals can be digitized at a fixed rate without introducing systematic harmonic distortion or noise due to timing uncertainty.

After the 8-bit data stream has been clocked in, DATA INPUT should be held at a fixed digital level until EOC goes high (indicating that the conversion is complete) to maximize the sampling accuracy and minimize the influence of external digital noise.

# TLC2543C, TLC2543I, TLC2543M

## 12-BIT ANALOG-TO-DIGITAL CONVERTERS

### WITH SERIAL CONTROL AND 11 ANALOG INPUTS

SLAS079F – DECEMBER 1993 – REVISED NOVEMBER 2001

---

## PRINCIPLES OF OPERATION

### data register, LSB first

D1 in the input data register (LSB first) controls the direction of the output binary data transfer. When D1 is reset to 0, the conversion result is shifted out MSB first. When set to 1, the data is shifted out LSB first. Selection of MSB first or LSB first always affects the next I/O cycle and not the current I/O cycle. When changing from one data direction to another, the current I/O cycle is never disrupted.

### data register, bipolar format

D0 (BIP) in the input data register controls the binary data format used to represent the conversion result. When D0 is cleared to 0, the conversion result is represented as unipolar (unsigned binary) data. Nominally, the conversion result of an input voltage equal to  $V_{ref-}$  is a code of all zeros (000 . . . 0), the conversion result of an input voltage equal to  $V_{ref+}$  is a code of all ones (111 . . . 1), and the conversion result of  $(V_{ref+} + V_{ref-})/2$  is a code of a one followed by zeros (100 . . . 0).

When D0 is set to 1, the conversion result is represented as bipolar (signed binary) data. Nominally, conversion of an input voltage equal to  $V_{ref-}$  is a code of a one followed by zeros (100 . . . 0), conversion of an input voltage equal to  $V_{ref+}$  is a code of a zero followed by all ones (011 . . . 1), and the conversion of  $(V_{ref+} + V_{ref-})/2$  is a code of all zeros (000 . . . 0). The MSB is interpreted as the sign bit. The bipolar data format is related to the unipolar format in that the MSBs are always each other's complement.

Selection of the unipolar or bipolar format always affects the current conversion cycle, and the result is output during the next I/O cycle. When changing between unipolar and bipolar formats, the data output during the current I/O cycle is not affected.

### EOC output

The EOC signal indicates the beginning and the end of conversion. In the reset state, EOC is always high. During the sampling period (beginning after the fourth falling edge of the I/O CLOCK sequence), EOC remains high until the internal sampling switch of the converter is safely opened. The opening of the sampling switch occurs after the eighth, twelfth, or sixteenth I/O CLOCK falling edge, depending on the data-length selection in the input data register. After the EOC signal goes low, the analog input signal can be changed without affecting the conversion result.

The EOC signal goes high again after the conversion is completed and the conversion result is latched into the output data register. The rising edge of EOC returns the converter to a reset state and a new I/O cycle begins. On the rising edge of EOC, the first bit of the current conversion result is on DATA OUT when  $\overline{CS}$  is low. When  $\overline{CS}$  is negated between conversions, the first bit of the current conversion result occurs at DATA OUT on the falling edge of  $\overline{CS}$ .

### data format and pad bits

D3 and D2 of the input data register determine the number of significant bits in the digital output that represent the conversion result. The LSB-first bit determines the direction of the data transfer while the BIP bit determines the arithmetic conversion. The numerical data is always justified toward the MSB in any output format.

The internal conversion result is always 12 bits long. When an 8-bit data transfer is selected, the four LSBs of the internal result are discarded to provide a faster one-byte transfer. When a 12-bit transfer is used, all bits are transferred. When a 16-bit transfer is used, four LSB pad bits are always appended to the internal conversion result. In the LSB-first mode, four leading zeros are output. In the MSB-first mode, the last four bits output are zeros.





## PRINCIPLES OF OPERATION

### data format and pad bits (continued)

When  $\overline{CS}$  is held low continuously, the first data bit of the newly completed conversion occurs on DATA OUT on the rising edge of EOC. When a new conversion is started after the last falling edge of I/O CLOCK, EOC goes low and the serial output is forced to a setting of 0 until EOC goes high again.

When  $\overline{CS}$  is negated between conversions, the first data bit occurs on DATA OUT on the falling edge of  $\overline{CS}$ . On each subsequent falling edge of I/O CLOCK after the first data bit appears, the data is changed to the next bit in the serial conversion result until the required number of bits has been output.

### chip-select input ( $\overline{CS}$ )

$\overline{CS}$  enables and disables the device. During normal operation,  $\overline{CS}$  should be low. Although the use of  $\overline{CS}$  is not necessary to synchronize a data transfer, it can be brought high between conversions to coordinate the data transfer of several devices sharing the same bus.

When  $\overline{CS}$  is brought high, the serial-data output is immediately brought to the high-impedance state, releasing its output data line to other devices that may share it. After an internally generated debounce time, I/O CLOCK is inhibited, thus preventing any further change in the internal state.

When  $\overline{CS}$  is subsequently brought low again, the device is reset.  $\overline{CS}$  must be held low for an internal debounce time before the reset operation takes effect. After  $\overline{CS}$  is debounced low, I/O CLOCK must remain inactive (low) for a minimum time before a new I/O cycle can start.

$\overline{CS}$  can interrupt any ongoing data transfer or any ongoing conversion. When  $\overline{CS}$  is debounced low long enough before the end of the current conversion cycle, the previous conversion result is saved in the internal output buffer and shifted out during the next I/O cycle.

### power-down features

When a binary address of 1110 is clocked into the input data register during the first four I/O CLOCK cycles, the power-down mode is selected. Power down is activated on the falling edge of the fourth I/O CLOCK pulse.

During power down, all internal circuitry is put in a low-current standby mode. No conversions are performed, and the internal output buffer keeps the previous conversion cycle data results provided that all digital inputs are held above  $V_{CC} - 0.5\text{ V}$  or below  $0.5\text{ V}$ . The I/O logic remains active so the current I/O cycle must be completed even when the power-down mode is selected. Upon power-on reset and before the first I/O cycle, the converter normally begins in the power-down mode. The device remains in the power-down mode until a valid input address (other than 1110) is clocked in. Upon completion of that I/O cycle, a normal conversion is performed with the results being shifted out during the next I/O cycle.

**TLC2543C, TLC2543I, TLC2543M**  
**12-BIT ANALOG-TO-DIGITAL CONVERTERS**  
**WITH SERIAL CONTROL AND 11 ANALOG INPUTS**

SLAS079F – DECEMBER 1993 – REVISED NOVEMBER 2001

**PRINCIPLES OF OPERATION**

**analog input, test, and power-down mode**

The 11 analog inputs, three internal voltages, and power-down mode are selected by the input multiplexer according to the input addresses shown in Tables 2, 3, and 4. The input multiplexer is a break-before-make type to reduce input-to-input noise rejection resulting from channel switching. Sampling of the analog input starts on the falling edge of the fourth I/O CLOCK and continues for the remaining I/O CLOCK pulses. The sample is held on the falling edge of the last I/O CLOCK pulse. The three internal test inputs are applied to the multiplexer, then sampled and converted in the same manner as the external analog inputs. The first conversion after the device has returned from the power-down state may not read accurately due to internal device settling.

**Table 3. Analog-Channel-Select Address**

| ANALOG INPUT<br>SELECTED | VALUE SHIFTED INTO<br>DATA INPUT |     |
|--------------------------|----------------------------------|-----|
|                          | BINARY                           | HEX |
| AIN0                     | 0000                             | 0   |
| AIN1                     | 0001                             | 1   |
| AIN2                     | 0010                             | 2   |
| AIN3                     | 0011                             | 3   |
| AIN4                     | 0100                             | 4   |
| AIN5                     | 0101                             | 5   |
| AIN6                     | 0110                             | 6   |
| AIN7                     | 0111                             | 7   |
| AIN8                     | 1000                             | 8   |
| AIN9                     | 1001                             | 9   |
| AIN10                    | 1010                             | A   |

**Table 4. Test-Mode-Select Address**

| INTERNAL<br>SELF-TEST<br>VOLTAGE<br>SELECTED† | VALUE SHIFTED INTO<br>DATA INPUT |     | UNIPOLAR OUTPUT<br>RESULT (HEX)‡ |
|---|----------------------------------|-----|----------------------------------|
|   | BINARY                           | HEX |                                  |
| $\frac{V_{ref+} - V_{ref-}}{2}$               | 1011                             | B   | 800                              |
| $V_{ref-}$                                    | 1100                             | C   | 000                              |
| $V_{ref+}$                                    | 1101                             | D   | FFF                              |

†  $V_{ref+}$  is the voltage applied to REF+, and  $V_{ref-}$  is the voltage applied to REF-.

‡ The output results shown are the ideal values and may vary with the reference stability and with internal offsets.

**Table 5. Power-Down-Select Address**

| INPUT COMMAND | VALUE SHIFTED INTO<br>DATA INPUT |     | RESULT                 |
|---------------|----------------------------------|-----|------------------------|
|               | BINARY                           | HEX |                        |
| Power down    | 1110                             | E   | $I_{CC} \leq 25 \mu A$ |



## PRINCIPLES OF OPERATION

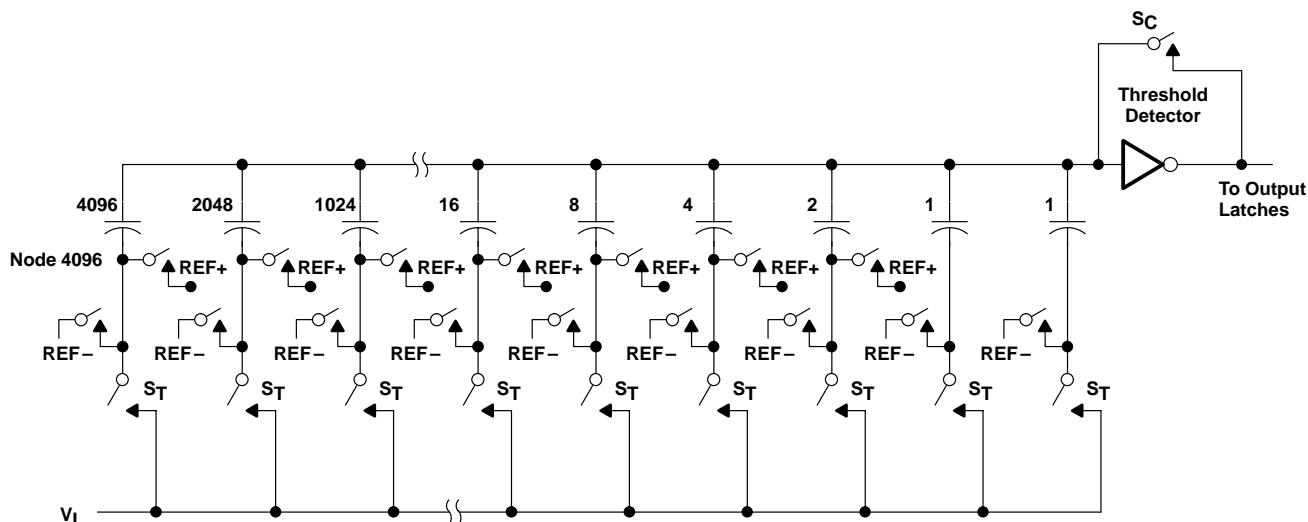
### converter and analog input

The CMOS threshold detector in the successive-approximation conversion system determines each bit by examining the charge on a series of binary-weighted capacitors (see Figure 1). In the first phase of the conversion process, the analog input is sampled by closing the  $S_C$  switch and all  $S_T$  switches simultaneously. This action charges all the capacitors to the input voltage.

In the next phase of the conversion process, all  $S_T$  and  $S_C$  switches are opened and the threshold detector begins identifying bits by identifying the charge (voltage) on each capacitor relative to the reference (REF–) voltage. In the switching sequence, 12 capacitors are examined separately until all 12 bits are identified and the charge-convert sequence is repeated. In the first step of the conversion phase, the threshold detector looks at the first capacitor (weight = 4096). Node 4096 of this capacitor is switched to the REF+ voltage, and the equivalent nodes of all the other capacitors on the ladder are switched to REF–. When the voltage at the summing node is greater than the trip point of the threshold detector (approximately  $1/2 V_{CC}$ ), a bit 0 is placed in the output register and the 4096-weight capacitor is switched to REF–. When the voltage at the summing node is less than the trip point of the threshold detector, a bit 1 is placed in the register and this 4096-weight capacitor remains connected to REF+ through the remainder of the successive-approximation process. The process is repeated for the 2048-weight capacitor, the 1024-weight capacitor, and so forth down the line until all bits are determined. With each step of the successive-approximation process, the initial charge is redistributed among the capacitors. The conversion process relies on charge redistribution to determine the bits from MSB to LSB.

### reference voltage inputs

The two reference inputs used with the device are the voltages applied to the REF+ and REF– terminals. These voltage values establish the upper and lower limits of the analog input to produce a full-scale and zero-scale reading respectively. These voltages and the analog input should not exceed the positive supply or be lower than ground consistent with the specified absolute maximum ratings. The digital output is at full scale when the input signal is equal to or higher than REF+ terminal voltage and at zero when the input signal is equal to or lower than REF– terminal voltage.

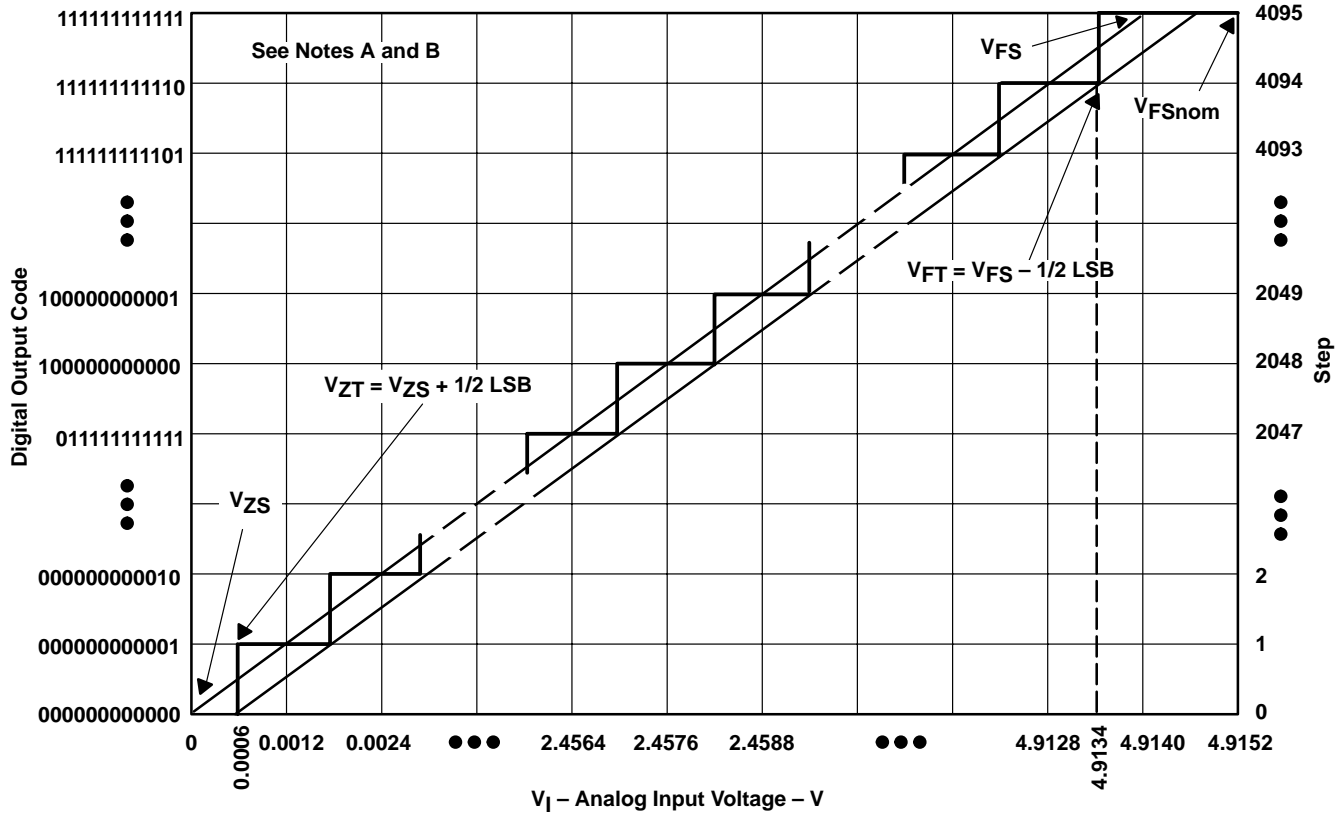


**Figure 15. Simplified Model of the Successive-Approximation System**

**TLC2543C, TLC2543I, TLC2543M**  
**12-BIT ANALOG-TO-DIGITAL CONVERTERS**  
**WITH SERIAL CONTROL AND 11 ANALOG INPUTS**

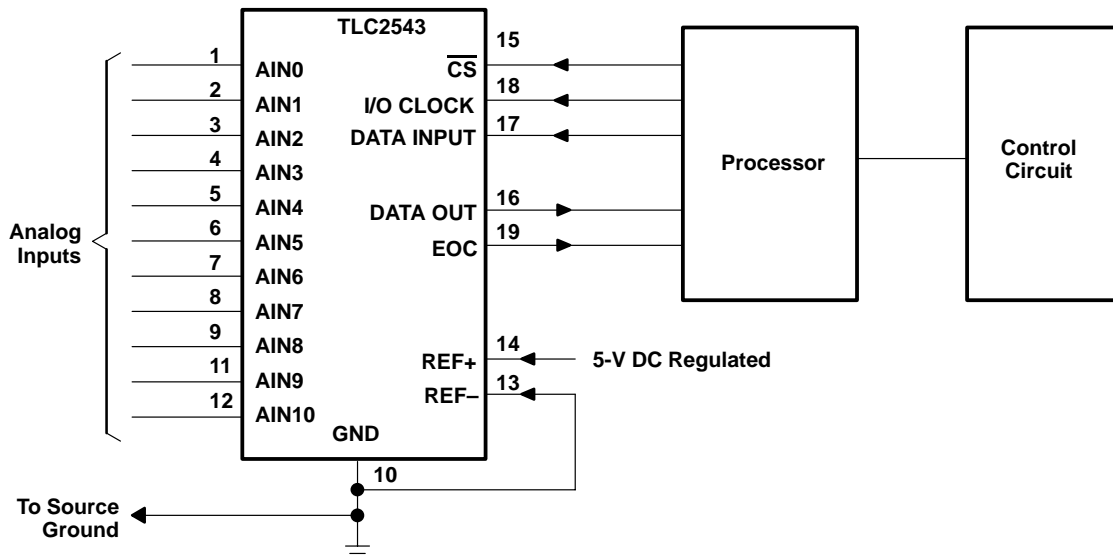
SLAS079F – DECEMBER 1993 – REVISED NOVEMBER 2001

**APPLICATION INFORMATION**



- NOTES: A. This curve is based on the assumption that  $V_{ref+}$  and  $V_{ref-}$  have been adjusted so that the voltage at the transition from digital 0 to 1 ( $V_{ZT}$ ) is 0.0006 V and the transition to full scale ( $V_{FT}$ ) is 4.9134 V. 1 LSB = 1.2 mV.  
 B. The full-scale value ( $V_{FS}$ ) is the step whose nominal midstep value has the highest absolute value. The zero-scale value ( $V_{ZS}$ ) is the step whose nominal midstep value equals zero.

**Figure 16. Ideal Conversion Characteristics**



**Figure 17. Serial Interface**



## APPLICATION INFORMATION

### simplified analog input analysis

Using the equivalent circuit in Figure 18, the time required to charge the analog input capacitance from 0 V to  $V_S$  within 1/2 LSB can be derived as follows:

The capacitance charging voltage is given by

$$V_C = V_S \left( 1 - e^{-t_c / R_t C_i} \right) \quad (1)$$

Where:

$$R_t = R_s + r_i$$

The final voltage to 1/2 LSB is given by

$$V_C (1/2 \text{ LSB}) = V_S - (V_S / 8192) \quad (2)$$

Equating equation 1 to equation 2 and solving for time  $t_c$  gives

$$V_S - (V_S / 8192) = V_S \left( 1 - e^{-t_c / R_t C_i} \right) \quad (3)$$

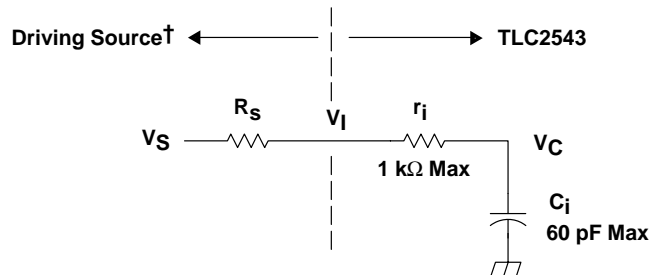
and

$$t_c (1/2 \text{ LSB}) = R_t \times C_i \times \ln(8192) \quad (4)$$

Therefore, with the values given, the time for the analog input signal to settle is

$$t_c (1/2 \text{ LSB}) = (R_s + 1 \text{ k}\Omega) \times 60 \text{ pF} \times \ln(8192) \quad (5)$$

This time must be less than the converter sample time shown in the timing diagrams.



$V_I$  = Input Voltage at AIN  
 $V_S$  = External Driving Source Voltage  
 $R_S$  = Source Resistance  
 $r_i$  = Input Resistance  
 $C_i$  = Input Capacitance  
 $V_C$  = Capacitance Charging Voltage

† Driving source requirements:

- Noise and distortion for the source must be equivalent to the resolution of the converter.
- $R_S$  must be real at the input frequency.

**Figure 18. Equivalent Input Circuit Including the Driving Source**

**PACKAGING INFORMATION**

| Orderable Device | Status<br>(1) | Package Type | Package<br>Drawing | Pins | Package Qty | Eco Plan<br>(2)            | Lead/Ball Finish | MSL Peak Temp<br>(3) | Op Temp (°C) | Top-Side Markings<br>(4)          | Samples                 |
|------------------|---------------|--------------|--------------------|------|-------------|----------------------------|------------------|----------------------|--------------|-----------------------------------|-------------------------|
| 5962-9688601QRA  | ACTIVE        | CDIP         | J                  | 20   | 1           | TBD                        | Call TI          | Call TI              | -55 to 125   | 5962-9688601QR<br>A<br>TLC2543MJB | <a href="#">Samples</a> |
| TLC2543CDB       | ACTIVE        | SSOP         | DB                 | 20   | 70          | Green (RoHS<br>& no Sb/Br) | CU NIPDAU        | Level-1-260C-UNLIM   |              | P2543                             | <a href="#">Samples</a> |
| TLC2543CDBG4     | ACTIVE        | SSOP         | DB                 | 20   | 70          | Green (RoHS<br>& no Sb/Br) | CU NIPDAU        | Level-1-260C-UNLIM   |              | P2543                             | <a href="#">Samples</a> |
| TLC2543CDBLE     | OBSOLETE      | SSOP         | DB                 | 20   |             | TBD                        | Call TI          | Call TI              |              |                                   |                         |
| TLC2543CDBR      | ACTIVE        | SSOP         | DB                 | 20   | 2000        | Green (RoHS<br>& no Sb/Br) | CU NIPDAU        | Level-1-260C-UNLIM   |              | P2543                             | <a href="#">Samples</a> |
| TLC2543CDBRG4    | ACTIVE        | SSOP         | DB                 | 20   | 2000        | Green (RoHS<br>& no Sb/Br) | CU NIPDAU        | Level-1-260C-UNLIM   |              | P2543                             | <a href="#">Samples</a> |
| TLC2543CDW       | ACTIVE        | SOIC         | DW                 | 20   | 25          | Green (RoHS<br>& no Sb/Br) | CU NIPDAU        | Level-1-260C-UNLIM   |              | TLC2543C                          | <a href="#">Samples</a> |
| TLC2543CDWG4     | ACTIVE        | SOIC         | DW                 | 20   | 25          | Green (RoHS<br>& no Sb/Br) | CU NIPDAU        | Level-1-260C-UNLIM   |              | TLC2543C                          | <a href="#">Samples</a> |
| TLC2543CDWR      | ACTIVE        | SOIC         | DW                 | 20   | 2000        | Green (RoHS<br>& no Sb/Br) | CU NIPDAU        | Level-1-260C-UNLIM   |              | TLC2543C                          | <a href="#">Samples</a> |
| TLC2543CDWRG4    | ACTIVE        | SOIC         | DW                 | 20   | 2000        | Green (RoHS<br>& no Sb/Br) | CU NIPDAU        | Level-1-260C-UNLIM   |              | TLC2543C                          | <a href="#">Samples</a> |
| TLC2543CFN       | ACTIVE        | PLCC         | FN                 | 20   | 46          | Green (RoHS<br>& no Sb/Br) | CU SN            | Level-1-260C-UNLIM   |              | TLC2543C                          | <a href="#">Samples</a> |
| TLC2543CFNG3     | ACTIVE        | PLCC         | FN                 | 20   | 46          | Green (RoHS<br>& no Sb/Br) | CU SN            | Level-1-260C-UNLIM   |              | TLC2543C                          | <a href="#">Samples</a> |
| TLC2543CFNR      | ACTIVE        | PLCC         | FN                 | 20   | 1000        | Green (RoHS<br>& no Sb/Br) | CU SN            | Level-1-260C-UNLIM   |              | TLC2543C                          | <a href="#">Samples</a> |
| TLC2543CFNRG3    | ACTIVE        | PLCC         | FN                 | 20   | 1000        | Green (RoHS<br>& no Sb/Br) | CU SN            | Level-1-260C-UNLIM   |              | TLC2543C                          | <a href="#">Samples</a> |
| TLC2543CN        | ACTIVE        | PDIP         | N                  | 20   | 20          | Pb-Free<br>(RoHS)          | CU NIPDAU        | N / A for Pkg Type   |              | TLC2543CN                         | <a href="#">Samples</a> |
| TLC2543CNE4      | ACTIVE        | PDIP         | N                  | 20   | 20          | Pb-Free<br>(RoHS)          | CU NIPDAU        | N / A for Pkg Type   |              | TLC2543CN                         | <a href="#">Samples</a> |
| TLC2543IDB       | ACTIVE        | SSOP         | DB                 | 20   | 70          | Green (RoHS<br>& no Sb/Br) | CU NIPDAU        | Level-1-260C-UNLIM   |              | Y2543                             | <a href="#">Samples</a> |

| Orderable Device | Status<br>(1) | Package Type | Package Drawing | Pins | Package Qty | Eco Plan<br>(2)         | Lead/Ball Finish | MSL Peak Temp<br>(3) | Op Temp (°C) | Top-Side Markings<br>(4)          | Samples                 |
|------------------|---------------|--------------|-----------------|------|-------------|-------------------------|------------------|----------------------|--------------|-----------------------------------|-------------------------|
| TLC2543IDBG4     | ACTIVE        | SSOP         | DB              | 20   | 70          | Green (RoHS & no Sb/Br) | CU NIPDAU        | Level-1-260C-UNLIM   |              | Y2543                             | <a href="#">Samples</a> |
| TLC2543IDBR      | ACTIVE        | SSOP         | DB              | 20   | 2000        | Green (RoHS & no Sb/Br) | CU NIPDAU        | Level-1-260C-UNLIM   |              | Y2543                             | <a href="#">Samples</a> |
| TLC2543IDBRG4    | ACTIVE        | SSOP         | DB              | 20   | 2000        | Green (RoHS & no Sb/Br) | CU NIPDAU        | Level-1-260C-UNLIM   |              | Y2543                             | <a href="#">Samples</a> |
| TLC2543IDW       | ACTIVE        | SOIC         | DW              | 20   | 25          | Green (RoHS & no Sb/Br) | CU NIPDAU        | Level-1-260C-UNLIM   |              | TLC2543I                          | <a href="#">Samples</a> |
| TLC2543IDWG4     | ACTIVE        | SOIC         | DW              | 20   | 25          | Green (RoHS & no Sb/Br) | CU NIPDAU        | Level-1-260C-UNLIM   |              | TLC2543I                          | <a href="#">Samples</a> |
| TLC2543IDWR      | ACTIVE        | SOIC         | DW              | 20   | 2000        | Green (RoHS & no Sb/Br) | CU NIPDAU        | Level-1-260C-UNLIM   |              | TLC2543I                          | <a href="#">Samples</a> |
| TLC2543IDWRG4    | ACTIVE        | SOIC         | DW              | 20   | 2000        | Green (RoHS & no Sb/Br) | CU NIPDAU        | Level-1-260C-UNLIM   |              | TLC2543I                          | <a href="#">Samples</a> |
| TLC2543IFN       | ACTIVE        | PLCC         | FN              | 20   | 46          | Green (RoHS & no Sb/Br) | CU SN            | Level-1-260C-UNLIM   |              | TLC2543I                          | <a href="#">Samples</a> |
| TLC2543IFNG3     | ACTIVE        | PLCC         | FN              | 20   | 46          | Green (RoHS & no Sb/Br) | CU SN            | Level-1-260C-UNLIM   |              | TLC2543I                          | <a href="#">Samples</a> |
| TLC2543IFNR      | OBSOLETE      | PLCC         | FN              | 20   |             | TBD                     | Call TI          | Call TI              |              |                                   |                         |
| TLC2543IN        | ACTIVE        | PDIP         | N               | 20   | 20          | Pb-Free (RoHS)          | CU NIPDAU        | N / A for Pkg Type   |              | TLC2543IN                         | <a href="#">Samples</a> |
| TLC2543INE4      | ACTIVE        | PDIP         | N               | 20   | 20          | Pb-Free (RoHS)          | CU NIPDAU        | N / A for Pkg Type   |              | TLC2543IN                         | <a href="#">Samples</a> |
| TLC2543MJ        | ACTIVE        | CDIP         | J               | 20   | 1           | TBD                     | A42              | N / A for Pkg Type   | -55 to 125   | TLC2543MJ                         | <a href="#">Samples</a> |
| TLC2543MJB       | ACTIVE        | CDIP         | J               | 20   | 1           | TBD                     | A42              | N / A for Pkg Type   | -55 to 125   | 5962-9688601QR<br>A<br>TLC2543MJB | <a href="#">Samples</a> |

(1) The marketing status values are defined as follows:

**ACTIVE:** Product device recommended for new designs.

**LIFEBUY:** TI has announced that the device will be discontinued, and a lifetime-buy period is in effect.

**NRND:** Not recommended for new designs. Device is in production to support existing customers, but TI does not recommend using this part in a new design.

**PREVIEW:** Device has been announced but is not in production. Samples may or may not be available.

**OBSOLETE:** TI has discontinued the production of the device.

(2) Eco Plan - The planned eco-friendly classification: Pb-Free (RoHS), Pb-Free (RoHS Exempt), or Green (RoHS & no Sb/Br) - please check <http://www.ti.com/productcontent> for the latest availability information and additional product content details.

**TBD:** The Pb-Free/Green conversion plan has not been defined.

**Pb-Free (RoHS):** TI's terms "Lead-Free" or "Pb-Free" mean semiconductor products that are compatible with the current RoHS requirements for all 6 substances, including the requirement that lead not exceed 0.1% by weight in homogeneous materials. Where designed to be soldered at high temperatures, TI Pb-Free products are suitable for use in specified lead-free processes.

**Pb-Free (RoHS Exempt):** This component has a RoHS exemption for either 1) lead-based flip-chip solder bumps used between the die and package, or 2) lead-based die adhesive used between the die and leadframe. The component is otherwise considered Pb-Free (RoHS compatible) as defined above.

**Green (RoHS & no Sb/Br):** TI defines "Green" to mean Pb-Free (RoHS compatible), and free of Bromine (Br) and Antimony (Sb) based flame retardants (Br or Sb do not exceed 0.1% by weight in homogeneous material)

(3) MSL, Peak Temp. -- The Moisture Sensitivity Level rating according to the JEDEC industry standard classifications, and peak solder temperature.

(4) Only one of markings shown within the brackets will appear on the physical device.

**Important Information and Disclaimer:** The information provided on this page represents TI's knowledge and belief as of the date that it is provided. TI bases its knowledge and belief on information provided by third parties, and makes no representation or warranty as to the accuracy of such information. Efforts are underway to better integrate information from third parties. TI has taken and continues to take reasonable steps to provide representative and accurate information but may not have conducted destructive testing or chemical analysis on incoming materials and chemicals. TI and TI suppliers consider certain information to be proprietary, and thus CAS numbers and other limited information may not be available for release.

In no event shall TI's liability arising out of such information exceed the total purchase price of the TI part(s) at issue in this document sold by TI to Customer on an annual basis.

#### **OTHER QUALIFIED VERSIONS OF TLC2543, TLC2543M :**

- Catalog: [TLC2543](#)
  
- Automotive: [TLC2543-Q1](#), [TLC2543-Q1](#)
  
- Enhanced Product: [TLC2543-EP](#), [TLC2543-EP](#)
  
- Military: [TLC2543M](#)

#### **NOTE: Qualified Version Definitions:**

- Catalog - TI's standard catalog product
  
- Automotive - Q100 devices qualified for high-reliability automotive applications targeting zero defects
  
- Enhanced Product - Supports Defense, Aerospace and Medical Applications



- Military - QML certified for Military and Defense Applications

**TAPE AND REEL INFORMATION**

**QUADRANT ASSIGNMENTS FOR PIN 1 ORIENTATION IN TAPE**


\*All dimensions are nominal

| Device      | Package Type | Package Drawing | Pins | SPQ  | Reel Diameter (mm) | Reel Width W1 (mm) | A0 (mm) | B0 (mm) | K0 (mm) | P1 (mm) | W (mm) | Pin1 Quadrant |
|-------------|--------------|-----------------|------|------|--------------------|--------------------|---------|---------|---------|---------|--------|---------------|
| TLC2543CDBR | SSOP         | DB              | 20   | 2000 | 330.0              | 16.4               | 8.2     | 7.5     | 2.5     | 12.0    | 16.0   | Q1            |
| TLC2543CDWR | SOIC         | DW              | 20   | 2000 | 330.0              | 24.4               | 10.8    | 13.3    | 2.7     | 12.0    | 24.0   | Q1            |
| TLC2543IDBR | SSOP         | DB              | 20   | 2000 | 330.0              | 16.4               | 8.2     | 7.5     | 2.5     | 12.0    | 16.0   | Q1            |
| TLC2543IDWR | SOIC         | DW              | 20   | 2000 | 330.0              | 24.4               | 10.8    | 13.3    | 2.7     | 12.0    | 24.0   | Q1            |

**TAPE AND REEL BOX DIMENSIONS**


\*All dimensions are nominal

| Device      | Package Type | Package Drawing | Pins | SPQ  | Length (mm) | Width (mm) | Height (mm) |
|-------------|--------------|-----------------|------|------|-------------|------------|-------------|
| TLC2543CDBR | SSOP         | DB              | 20   | 2000 | 367.0       | 367.0      | 38.0        |
| TLC2543CDWR | SOIC         | DW              | 20   | 2000 | 367.0       | 367.0      | 45.0        |
| TLC2543IDBR | SSOP         | DB              | 20   | 2000 | 367.0       | 367.0      | 38.0        |
| TLC2543IDWR | SOIC         | DW              | 20   | 2000 | 367.0       | 367.0      | 45.0        |

J (R-GDIP-T\*\*)

14 LEADS SHOWN

CERAMIC DUAL IN-LINE PACKAGE



| DIM \ PINS ** | 14                     | 16                     | 18                     | 20                     |
|---------------|------------------------|------------------------|------------------------|------------------------|
| A             | 0.300<br>(7,62)<br>BSC | 0.300<br>(7,62)<br>BSC | 0.300<br>(7,62)<br>BSC | 0.300<br>(7,62)<br>BSC |
| B MAX         | 0.785<br>(19,94)       | .840<br>(21,34)        | 0.960<br>(24,38)       | 1.060<br>(26,92)       |
| B MIN         | —                      | —                      | —                      | —                      |
| C MAX         | 0.300<br>(7,62)        | 0.300<br>(7,62)        | 0.310<br>(7,87)        | 0.300<br>(7,62)        |
| C MIN         | 0.245<br>(6,22)        | 0.245<br>(6,22)        | 0.220<br>(5,59)        | 0.245<br>(6,22)        |



4040083/F 03/03

- NOTES:
- All linear dimensions are in inches (millimeters).
  - This drawing is subject to change without notice.
  - This package is hermetically sealed with a ceramic lid using glass frit.
  - Index point is provided on cap for terminal identification only on press ceramic glass frit seal only.
  - Falls within MIL STD 1835 GDIP1-T14, GDIP1-T16, GDIP1-T18 and GDIP1-T20.

N (R-PDIP-T\*\*)

PLASTIC DUAL-IN-LINE PACKAGE

16 PINS SHOWN

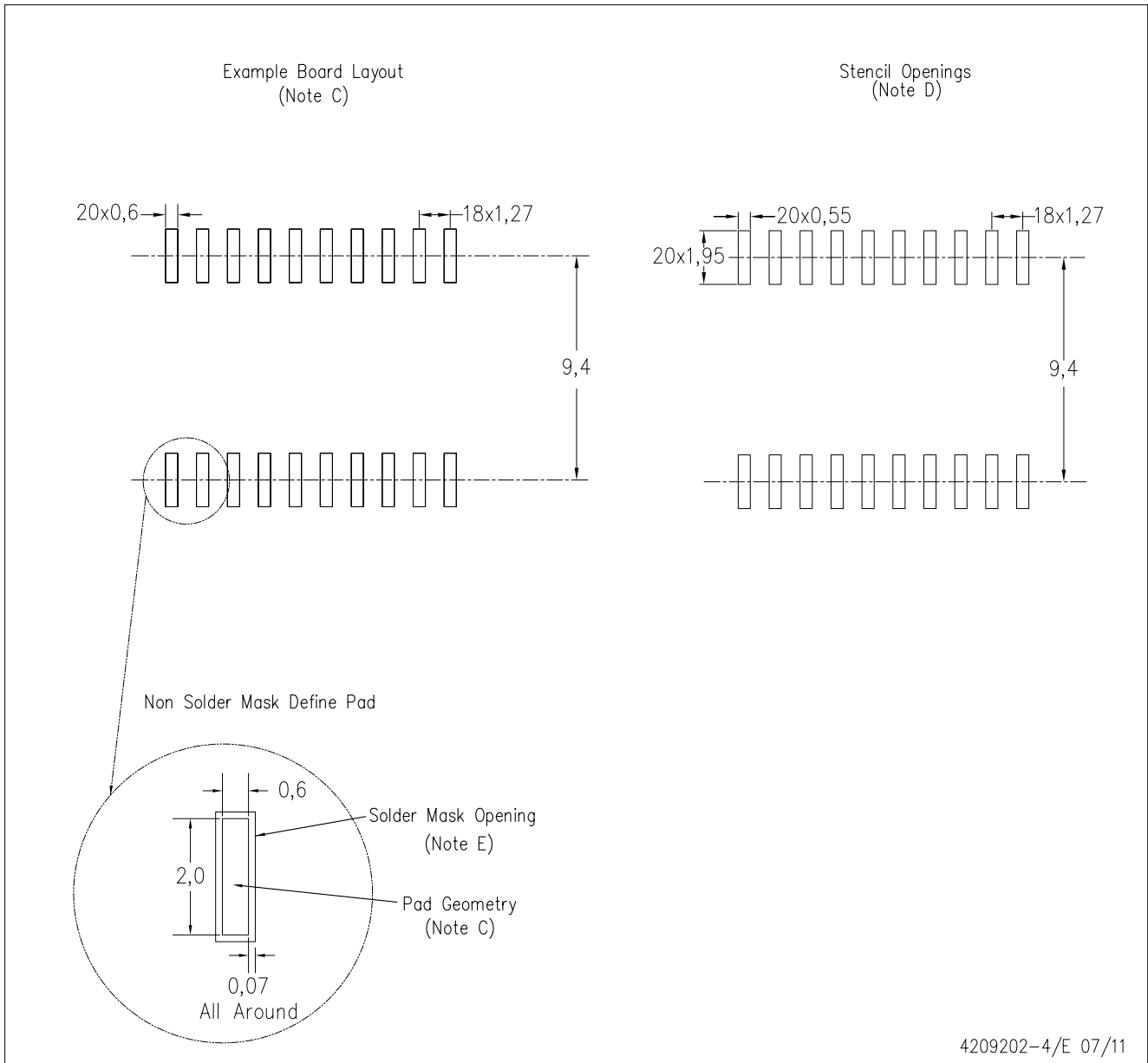


- NOTES:
- A. All linear dimensions are in inches (millimeters).
  - B. This drawing is subject to change without notice.
  - Falls within JEDEC MS-001, except 18 and 20 pin minimum body length (Dim A).
  - The 20 pin end lead shoulder width is a vendor option, either half or full width.



DW (R-PDSO-G20)

PLASTIC SMALL OUTLINE



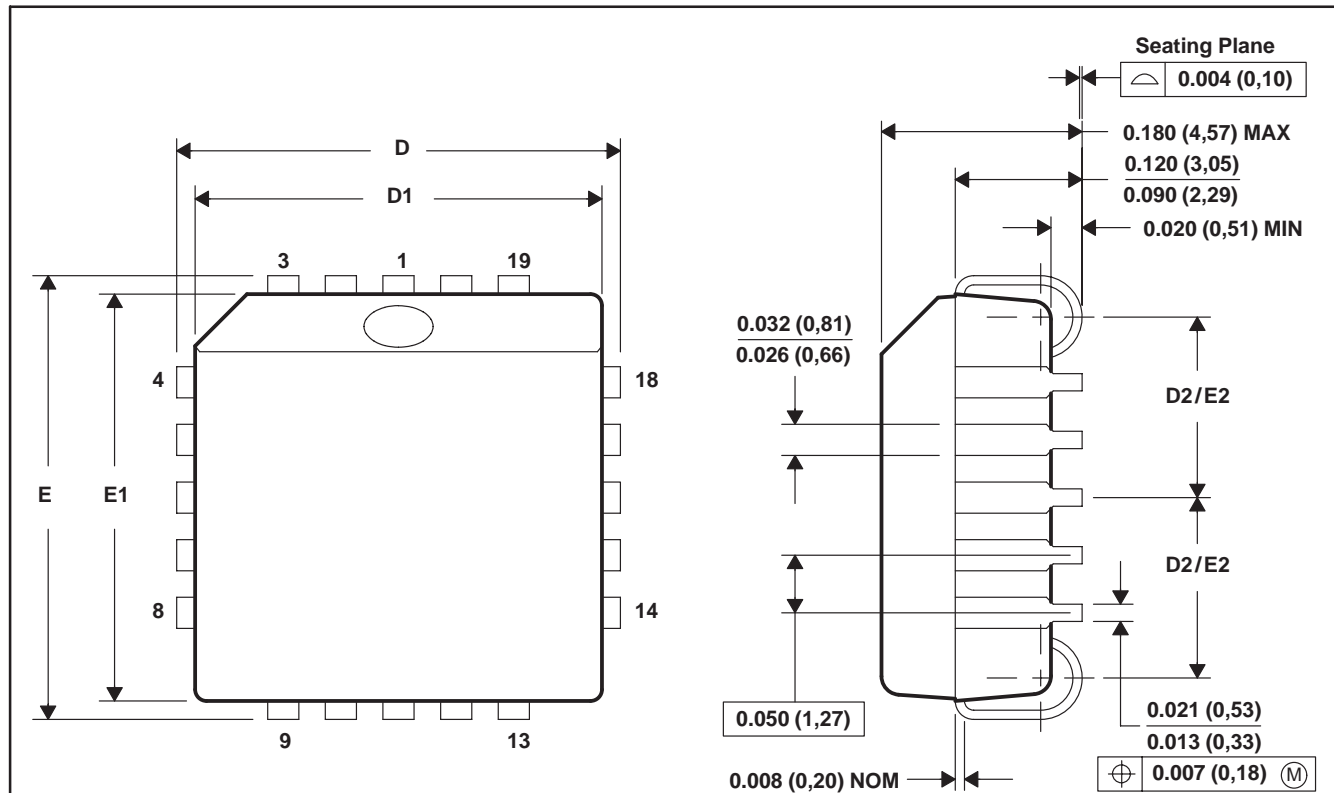
4209202-4/E 07/11

- NOTES:
- A. All linear dimensions are in millimeters.
  - B. This drawing is subject to change without notice.
  - C. Refer to IPC7351 for alternate board design.
  - D. Laser cutting apertures with trapezoidal walls and also rounding corners will offer better paste release. Customers should contact their board assembly site for stencil design recommendations. Refer to IPC-7525
  - E. Customers should contact their board fabrication site for solder mask tolerances between and around signal pads.

FN (S-PQCC-J\*\*)

PLASTIC J-LEADED CHIP CARRIER

20 PIN SHOWN



| NO. OF PINS ** | D/E           |               | D1/E1         |               | D2/E2         |               |
|----------------|---------------|---------------|---------------|---------------|---------------|---------------|
|                | MIN           | MAX           | MIN           | MAX           | MIN           | MAX           |
| 20             | 0.385 (9,78)  | 0.395 (10,03) | 0.350 (8,89)  | 0.356 (9,04)  | 0.141 (3,58)  | 0.169 (4,29)  |
| 28             | 0.485 (12,32) | 0.495 (12,57) | 0.450 (11,43) | 0.456 (11,58) | 0.191 (4,85)  | 0.219 (5,56)  |
| 44             | 0.685 (17,40) | 0.695 (17,65) | 0.650 (16,51) | 0.656 (16,66) | 0.291 (7,39)  | 0.319 (8,10)  |
| 52             | 0.785 (19,94) | 0.795 (20,19) | 0.750 (19,05) | 0.756 (19,20) | 0.341 (8,66)  | 0.369 (9,37)  |
| 68             | 0.985 (25,02) | 0.995 (25,27) | 0.950 (24,13) | 0.958 (24,33) | 0.441 (11,20) | 0.469 (11,91) |
| 84             | 1.185 (30,10) | 1.195 (30,35) | 1.150 (29,21) | 1.158 (29,41) | 0.541 (13,74) | 0.569 (14,45) |

4040005/B 03/95

- NOTES: A. All linear dimensions are in inches (millimeters).  
 B. This drawing is subject to change without notice.  
 C. Falls within JEDEC MS-018



DB (R-PDSO-G\*\*)

PLASTIC SMALL-OUTLINE

28 PINS SHOWN



- NOTES: A. All linear dimensions are in millimeters.  
 B. This drawing is subject to change without notice.  
 C. Body dimensions do not include mold flash or protrusion not to exceed 0,15.  
 D. Falls within JEDEC MO-150

## IMPORTANT NOTICE

Texas Instruments Incorporated and its subsidiaries (TI) reserve the right to make corrections, enhancements, improvements and other changes to its semiconductor products and services per JESD46, latest issue, and to discontinue any product or service per JESD48, latest issue. Buyers should obtain the latest relevant information before placing orders and should verify that such information is current and complete. All semiconductor products (also referred to herein as "components") are sold subject to TI's terms and conditions of sale supplied at the time of order acknowledgment.

TI warrants performance of its components to the specifications applicable at the time of sale, in accordance with the warranty in TI's terms and conditions of sale of semiconductor products. Testing and other quality control techniques are used to the extent TI deems necessary to support this warranty. Except where mandated by applicable law, testing of all parameters of each component is not necessarily performed.

TI assumes no liability for applications assistance or the design of Buyers' products. Buyers are responsible for their products and applications using TI components. To minimize the risks associated with Buyers' products and applications, Buyers should provide adequate design and operating safeguards.

TI does not warrant or represent that any license, either express or implied, is granted under any patent right, copyright, mask work right, or other intellectual property right relating to any combination, machine, or process in which TI components or services are used. Information published by TI regarding third-party products or services does not constitute a license to use such products or services or a warranty or endorsement thereof. Use of such information may require a license from a third party under the patents or other intellectual property of the third party, or a license from TI under the patents or other intellectual property of TI.

Reproduction of significant portions of TI information in TI data books or data sheets is permissible only if reproduction is without alteration and is accompanied by all associated warranties, conditions, limitations, and notices. TI is not responsible or liable for such altered documentation. Information of third parties may be subject to additional restrictions.

Resale of TI components or services with statements different from or beyond the parameters stated by TI for that component or service voids all express and any implied warranties for the associated TI component or service and is an unfair and deceptive business practice. TI is not responsible or liable for any such statements.

Buyer acknowledges and agrees that it is solely responsible for compliance with all legal, regulatory and safety-related requirements concerning its products, and any use of TI components in its applications, notwithstanding any applications-related information or support that may be provided by TI. Buyer represents and agrees that it has all the necessary expertise to create and implement safeguards which anticipate dangerous consequences of failures, monitor failures and their consequences, lessen the likelihood of failures that might cause harm and take appropriate remedial actions. Buyer will fully indemnify TI and its representatives against any damages arising out of the use of any TI components in safety-critical applications.

In some cases, TI components may be promoted specifically to facilitate safety-related applications. With such components, TI's goal is to help enable customers to design and create their own end-product solutions that meet applicable functional safety standards and requirements. Nonetheless, such components are subject to these terms.

No TI components are authorized for use in FDA Class III (or similar life-critical medical equipment) unless authorized officers of the parties have executed a special agreement specifically governing such use.

Only those TI components which TI has specifically designated as military grade or "enhanced plastic" are designed and intended for use in military/aerospace applications or environments. Buyer acknowledges and agrees that any military or aerospace use of TI components which have **not** been so designated is solely at the Buyer's risk, and that Buyer is solely responsible for compliance with all legal and regulatory requirements in connection with such use.

TI has specifically designated certain components as meeting ISO/TS16949 requirements, mainly for automotive use. In any case of use of non-designated products, TI will not be responsible for any failure to meet ISO/TS16949.

### Products

|                              |  |
|------------------------------|--|
| Audio                        | <a href="http://www.ti.com/audio">www.ti.com/audio</a>                               |
| Amplifiers                   | <a href="http://amplifier.ti.com">amplifier.ti.com</a>                               |
| Data Converters              | <a href="http://dataconverter.ti.com">dataconverter.ti.com</a>                       |
| DLP® Products                | <a href="http://www.dlp.com">www.dlp.com</a>   |
| DSP                          | <a href="http://dsp.ti.com">dsp.ti.com</a>   |
| Clocks and Timers            | <a href="http://www.ti.com/clocks">www.ti.com/clocks</a>                             |
| Interface                    | <a href="http://interface.ti.com">interface.ti.com</a>                               |
| Logic                        | <a href="http://logic.ti.com">logic.ti.com</a>                                       |
| Power Mgmt                   | <a href="http://power.ti.com">power.ti.com</a>                                       |
| Microcontrollers             | <a href="http://microcontroller.ti.com">microcontroller.ti.com</a>                   |
| RFID                         | <a href="http://www.ti-rfid.com">www.ti-rfid.com</a>                                 |
| OMAP Applications Processors | <a href="http://www.ti.com/omap">www.ti.com/omap</a>                                 |
| Wireless Connectivity        | <a href="http://www.ti.com/wirelessconnectivity">www.ti.com/wirelessconnectivity</a> |

### Applications

|                               |  |
|-------------------------------|--|
| Automotive and Transportation | <a href="http://www.ti.com/automotive">www.ti.com/automotive</a>                         |
| Communications and Telecom    | <a href="http://www.ti.com/communications">www.ti.com/communications</a>                 |
| Computers and Peripherals     | <a href="http://www.ti.com/computers">www.ti.com/computers</a>                           |
| Consumer Electronics          | <a href="http://www.ti.com/consumer-apps">www.ti.com/consumer-apps</a>                   |
| Energy and Lighting           | <a href="http://www.ti.com/energy">www.ti.com/energy</a>                                 |
| Industrial                    | <a href="http://www.ti.com/industrial">www.ti.com/industrial</a>                         |
| Medical                       | <a href="http://www.ti.com/medical">www.ti.com/medical</a>                               |
| Security                      | <a href="http://www.ti.com/security">www.ti.com/security</a>                             |
| Space, Avionics and Defense   | <a href="http://www.ti.com/space-avionics-defense">www.ti.com/space-avionics-defense</a> |
| Video and Imaging             | <a href="http://www.ti.com/video">www.ti.com/video</a>                                   |

### TI E2E Community

[e2e.ti.com](http://e2e.ti.com)