



STK6711AMK4

4-Phase Stepping Motor Driver Unipolar Self-Excitation Type (I_o=1.5A)

Overview

The STK6711AMK4 is a unipolar fixed-current choppertype self-excitation 4-phase stepping motor driver hybrid IC which uses MOSFET power devices. The excitation sequence signal is active-high.

Applications

- Serial printer, line printer, and laser beam printer (LBP) paper feed and carriage motor drivers.
- PPC scanner and LBP feed drivers.

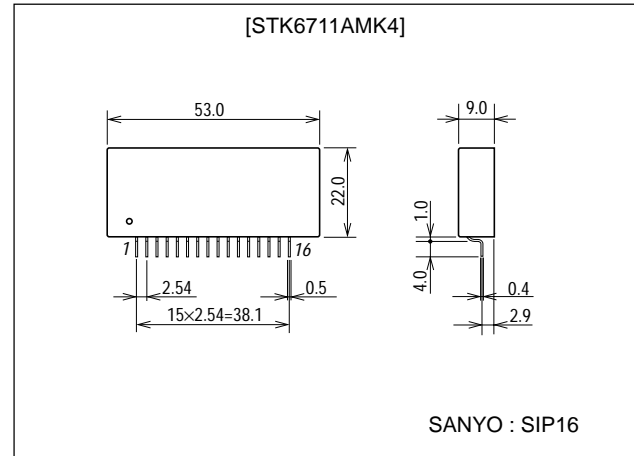
Features

- Simultaneous ON prevention circuit built-in to prevent driver breakdown due to simultaneous ON control signals from the control system's microcontroller, etc.
- Self-excitation design means chopping frequency is determined by motor L and R. Supports chopping at 20kHz or higher.
- Two 0.33Ω current detection resistors built-in for fixed-current chopping operation.
- Wide operating supply voltage range (18 to 42V for motor drive).
- Unipolar design enables use as a driver for hybrid, PM, or VR-type stepping motors
- Supports W1-2 phase operation, with dual Vref pins.

Package Dimensions

unit:mm

4129



Series Organization

The following devices from a series with differing excitation signal active level and output capacity. Some of the following devices are under development. Contact your Sanyo sales representative if you require more detailed information.

Type No.	Excitation signal	Output current (per phase)	Type
STK6711AMK4	Active-high	1.5A	Self-excitation
STK6711BMK4	Active-low		
STK6712AMK4	Active-high	1.7A	
STK6712BMK4	Active-low		
STK6713AMK4	Active-high	3.0A	
STK6713BMK4	Active-low		
STK6714AMK4	Active-high	4.0A	Fixed excitation
STK6714BMK4	Active-low		

■ Any and all SANYO products described or contained herein do not have specifications that can handle applications that require extremely high levels of reliability, such as life-support systems, aircraft's control systems, or other applications whose failure can be reasonably expected to result in serious physical and/or material damage. Consult with your SANYO representative nearest you before using any SANYO products described or contained herein in such applications.

■ SANYO assumes no responsibility for equipment failures that result from using products at values that exceed, even momentarily, rated values (such as maximum ratings, operating condition ranges, or other parameters) listed in products specifications of any and all SANYO products described or contained herein.

STK6711AMK4

Specifications

Maximum Ratings at Ta = 25°C

Parameter	Symbol	Conditions	Ratings	Unit
Maximum supply voltage 1	V _{CC1} max	No input signal	52	V
Maximum supply voltage 2	V _{CC2} max	No input signal	7	V
Maximum phase current	I _{OH} max	R=5Ω, L=10mH, 1×0.5s pulse, V _{CC} applied	2.2	A
Repeated avalanche handling capability	Ear max		38	mJ
Junction temperature	T _J max		150	°C
Operating substrate temperature	T _c max		105	°C
Storage temperature	T _{stg}		-40 to +125	°C

Allowable Operating Ranges at Ta = 25°C

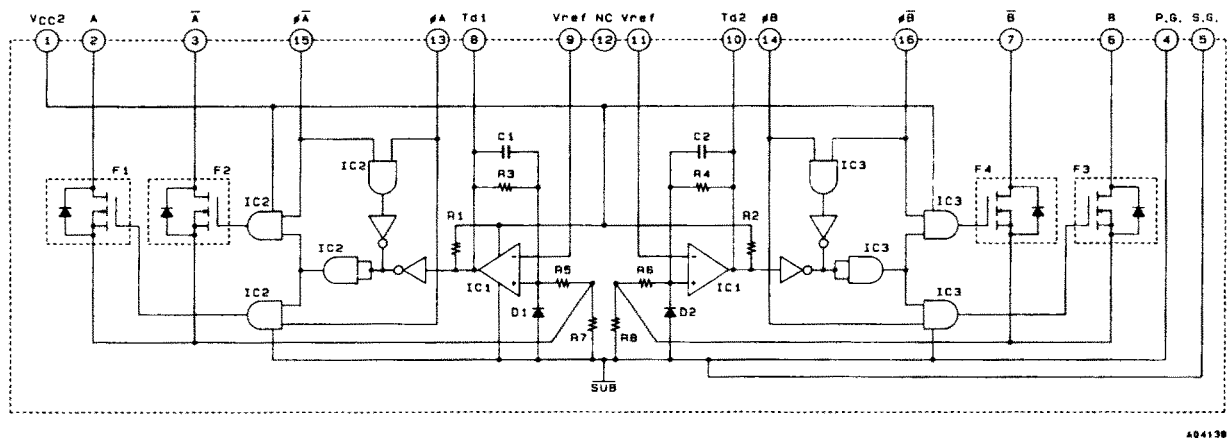
Parameter	Symbol	Conditions	Ratings			Unit
			min	typ	max	
Supply voltage 1	V _{CC1}	With input signal	18		42	V
Supply voltage 2	V _{CC2}	With input signal	4.75	5.00	5.25	V
Phase driver withstand voltage	V _{DSS}		100			V
Phase current	I _{OH} max	50% duty			1.5	A

Electrical Characteristics at Ta = 25°C, V_{CC1}=36V, V_{CC2}=5V

Parameter	Symbol	Conditions	Ratings			Unit
			min	typ	max	
Output saturation voltage	V _{st}	R _L =23Ω, V _{in} =2.4V		1.4	1.9	V
Average output current	I _{oave}	Load : R=3.5Ω, L=3.8mH, V _{in} =2.4V, per phase	0.45	0.50	0.55	A
Pin current drain	I _{CC2}	Load : R=3.5Ω, L=3.8mH, V _{in} =2.4V, per phase		15	25	mA
FET diode forward voltage	V _{df}	I _f =1.0A		1.2	1.8	V
TTL-input high level voltage	V _{IH}	Input voltage when F1, F2, F3, F4 ON	2.0			V
TTL-input low level voltage	V _{IL}	Input voltage when F1, F2, F3, F4 OFF			0.8	V
Switching time	t _{ON}	R _L =24Ω, V _{in} =2.4V		50		ns
	t _{OFF}	R _L =24Ω, V _{in} =2.4V		0.1		μs

Note : All tests are made using a constant-voltage supply.

Equivalent Circuit

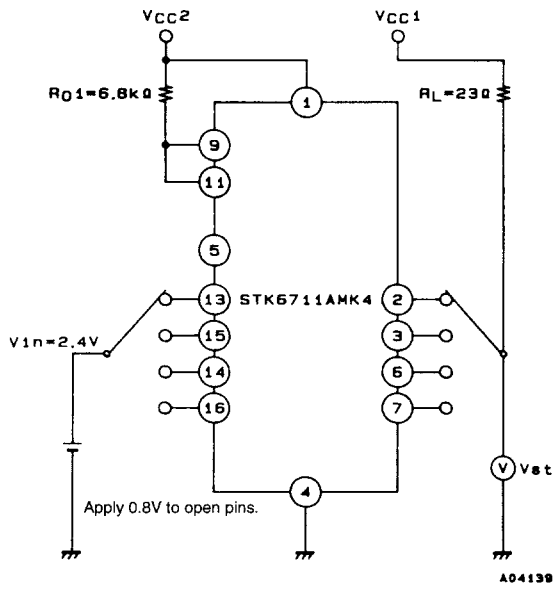


A04130

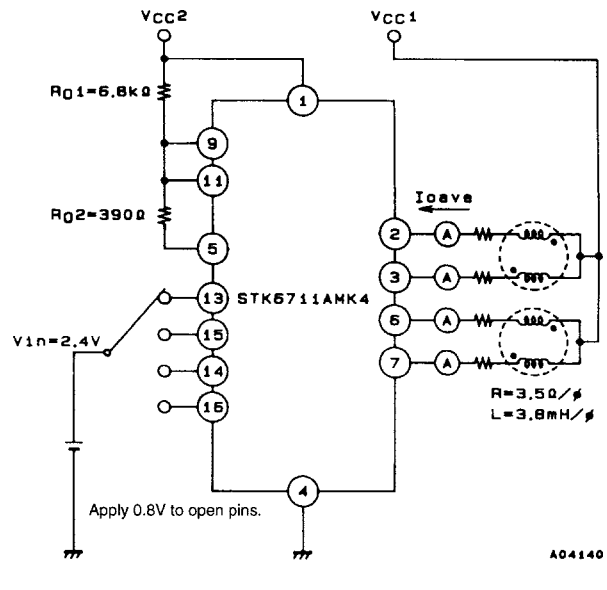
STK6711AMK4

Test Circuit

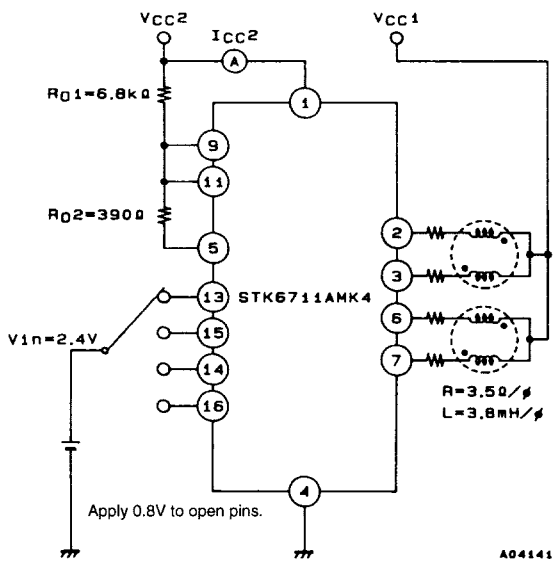
Vst



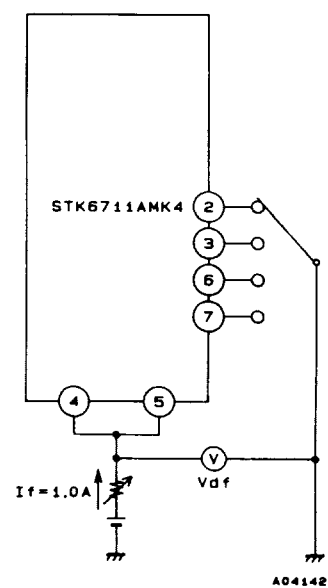
Ioave



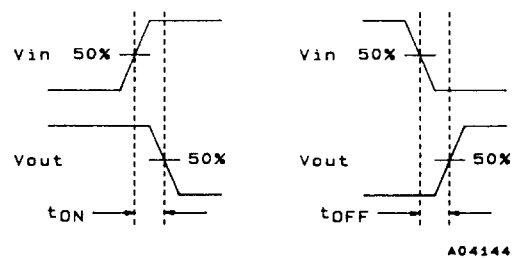
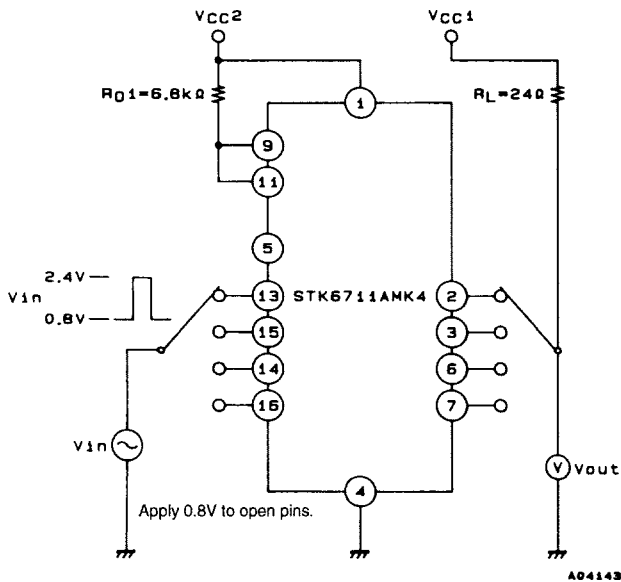
Icc2



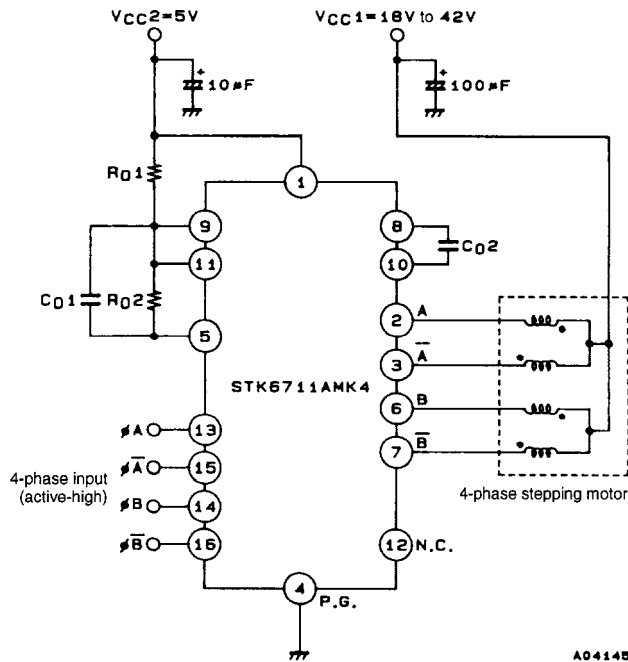
Vdf



tON, tOFF

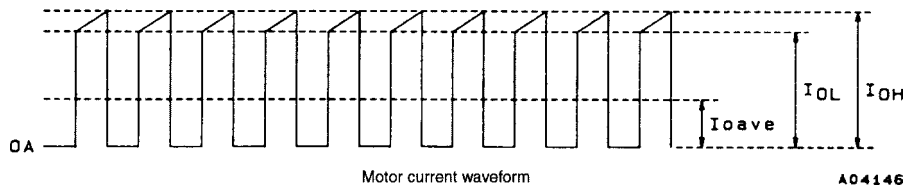


Sample Application Circuit



Motor Current

The following figure shows the motor current waveform when all 4-phase inputs are locked.



The motor current is set by the Vref voltage which is determined by the resistors RO1 and RO2 connected to pins 9 and 11. IOH and Vref are related as shown in the following equations, where K is a correction coefficient for actual measurement.

$$I_{OH} = K \times \frac{R_{O2}}{R_{O1} + R_{O2}} \times \frac{V_{CC2}}{R7}$$

$$V_{ref} = \frac{R_{O2}}{R_{O1} + R_{O2}} \times V_{CC2}$$

$K \approx 1.2$ and $R7 = R8 \approx 0.33\Omega \pm 3\%$

Reference values are such that $R_{O1} = 6.8k\Omega$ and $R_{O2} = 390\Omega$ at $I_{OH} \approx 1A$.

Motor Hold Noise Countermeasures (CO1 and CO2 Capacitors)

During motor hold, there may be cases where the motor generates audible noise. In this case, capacitors CO1 $\approx 0.01\mu F$ and CO2 ≈ 100 to $200pF$ can be added to prevent this noise as shown in the Sample Application Circuit. During normal operation, however, these capacitors are not necessary.

- Specifications of any and all SANYO products described or contained herein stipulate the performance, characteristics, and functions of the described products in the independent state, and are not guarantees of the performance, characteristics, and functions of the described products as mounted in the customer's products or equipment. To verify symptoms and states that cannot be evaluated in an independent device, the customer should always evaluate and test devices mounted in the customer's products or equipment.
- SANYO Electric Co., Ltd. strives to supply high-quality high-reliability products. However, any and all semiconductor products fail with some probability. It is possible that these probabilistic failures could give rise to accidents or events that could endanger human lives, that could give rise to smoke or fire, or that could cause damage to other property. When designing equipment, adopt safety measures so that these kinds of accidents or events cannot occur. Such measures include but are not limited to protective circuits and error prevention circuits for safe design, redundant design, and structural design.
- In the event that any or all SANYO products(including technical data, services) described or contained herein are controlled under any of applicable local export control laws and regulations, such products must not be exported without obtaining the export license from the authorities concerned in accordance with the above law.
- No part of this publication may be reproduced or transmitted in any form or by any means, electronic or mechanical, including photocopying and recording, or any information storage or retrieval system, or otherwise, without the prior written permission of SANYO Electric Co., Ltd.
- Any and all information described or contained herein are subject to change without notice due to product/technology improvement, etc. When designing equipment, refer to the "Delivery Specification" for the SANYO product that you intend to use.
- Information (including circuit diagrams and circuit parameters) herein is for example only ; it is not guaranteed for volume production. SANYO believes information herein is accurate and reliable, but no guarantees are made or implied regarding its use or any infringements of intellectual property rights or other rights of third parties.

This catalog provides information as of November, 1999. Specifications and information herein are subject to change without notice.