

STK 050,070

high hybrid IC

50, 70Wmin AF POWER AMP



Features

- © IMST, 1 Channel by 2 Power Supplies.
- AF output power of STK 050: 50W min.
AF output power of STK 070: 70W min.
- With constant current driven differential amp.
Direct coupled.
- Superior DC stability, low distortion.
- Protection circuit unrelated to error operation or tone distortion.

MAXIMUM RATINGS / Ta=25°C

		STK 050	STK 070	unit
Maximum Supply Voltage	V _{CCmax}	±45	+55	V
Operating Case Temperature	T _C	→	85	°C
Storage Temperature	T _{stg}	→	-30 to +100	°C

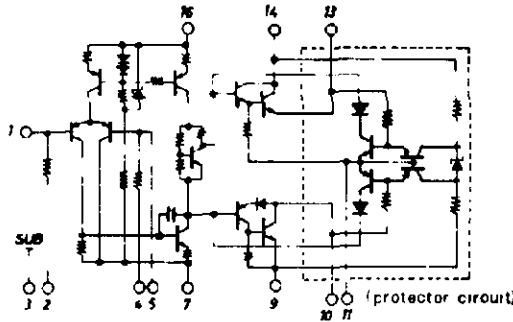
RECOMMENDED OPERATION CONDITION / Ta=25°C

		STK 050	STK 070	unit
Recommended Supply Voltage	V _{CC}	±35	±42	V
Load Resistance	R _L	→	8	ohm

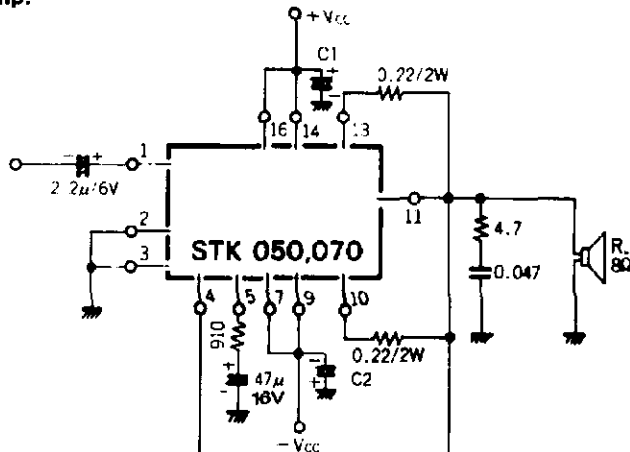
OPERATION CHARACTERISTICS / Ta=25°C, in recommended condition, R_g=600ohm, f=1kHz

			STK 050	STK 070	unit
Quiescent Current	I _{cco}	STK-050: V _{CC} =±35V STK-070: V _{CC} =±50V	→	60	mA max
Output Power	P _o	THD=0.2%	50	—	Wmin
		THD=0.5%, f=20 to 20k Hz	—	70	Wmin
Voltage Gain	V _G	P _o =0.1W	→	30.5	dB
Total Harmonic Distortion	THD	P _o =0.1W	→	0.2	%max
Input Resistance	r _i	P _o =0.1W	→	30k	ohm
Power Bandwidth	PBW	THD=0.5%, P _o =50W	20 to 20k	—	Hz
Frequency Response	f	P _o =0.1W ⁺⁰ ₋₃ dB	—	10 to 100k	Hz

EQUIVALENT CIRCUIT



APPLICATION: AF Power Amp.



	STK 050	STK 070
C1	10µ/50V	10µ/63V