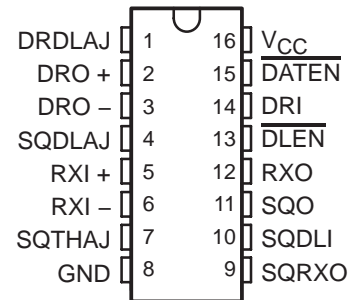


SN75061 DRIVER/RECEIVER PAIR WITH SQUELCH

SLLS026C – JANUARY 1987 – REVISED JULY 1990

- IEEE 802.3 1BASE5 Driver and Receiver
- On-Chip Receiver Squelch With Adjustable Threshold
- Adjustable Squelch Delay
- Direct TTL-Level Squelch Output
- Squelch Circuit Allows for External Noise Filtering
- Two Driver-Enable Options
- On-Chip Start-of-Idle Detection and Disable
- Driver Provides 2-V Minimum into a 50-Ω Differential Load Allowing for Use With Doubly-Terminated Lines and Multipoint Architectures
- On-Chip Driver Slew-Rate Control for Very Closely Matched Output Rise and Fall Times

N PACKAGE
(TOP VIEW)



Function Tables

DRIVER				
INPUTS			OUTPUTS	
DRI	DATEN	DLEN	DRO +	DRO -
L	L	X	L	H
H	L	X	H	L
X	H	H	Z	Z
H	H	L	H [†]	L [†]
L	H	L	L [‡]	H [‡]

CONDITION	RECEIVER [§]		INPUTS		OUTPUTS	
	RXI +	RXI -	RXO	SQO		
No active signal [¶]	X	X	H	H		
Active signal [¶]	L	H	L	L		
	H	L	H	L		

[†] This condition is valid during the time period set by DRDLAJ following a rising transition on DRI. Following this, when a subsequent positive transition does not occur on DRI, the outputs go to the high-impedance state.

[‡] This condition is valid when it occurs within the enable time set by DRDLAJ after a rising transition on DRI. Otherwise, the outputs are in the high-impedance state.

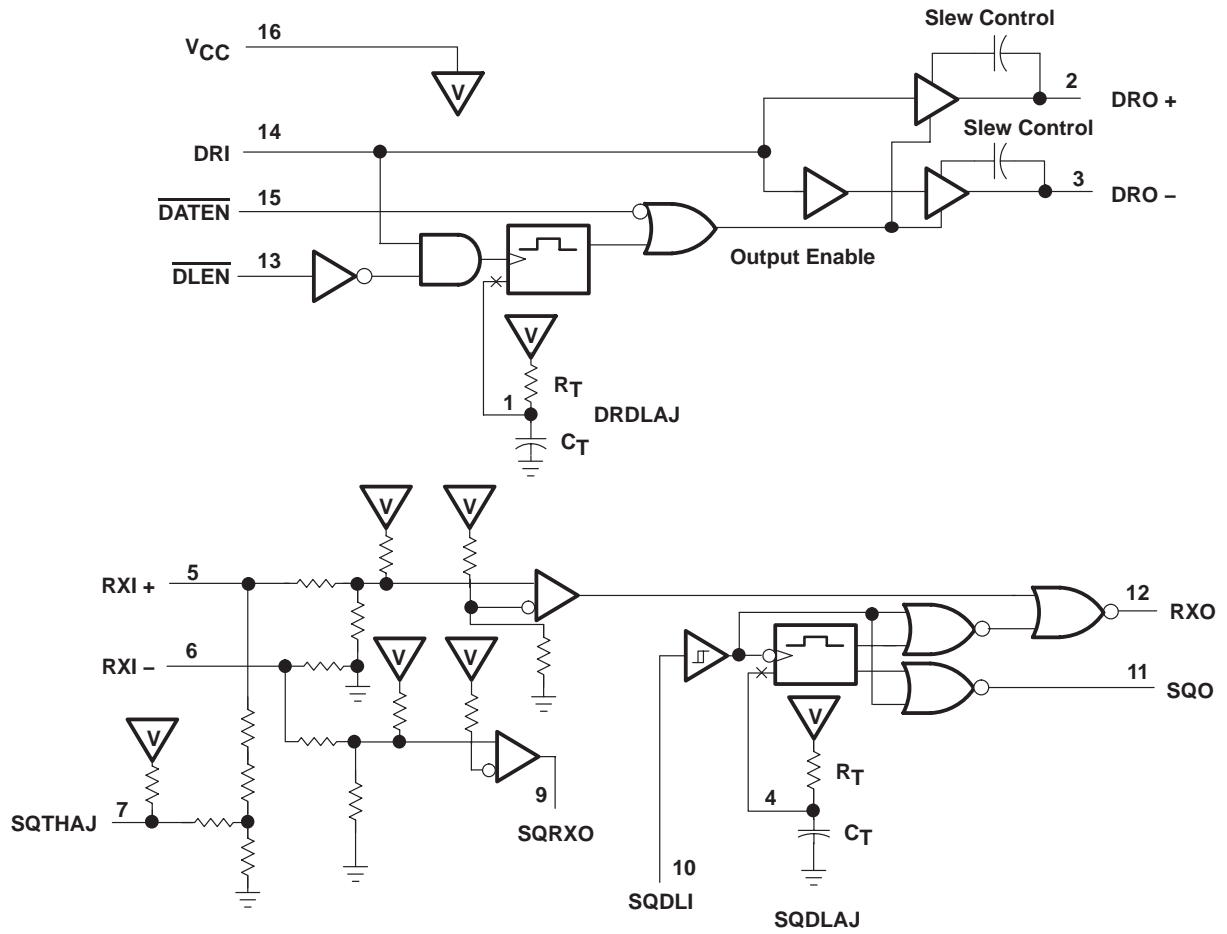
[§] Pins 9 and 10 are tied together.

[¶] An active signal is one that has an amplitude greater than the threshold level set by SQTHAJ.

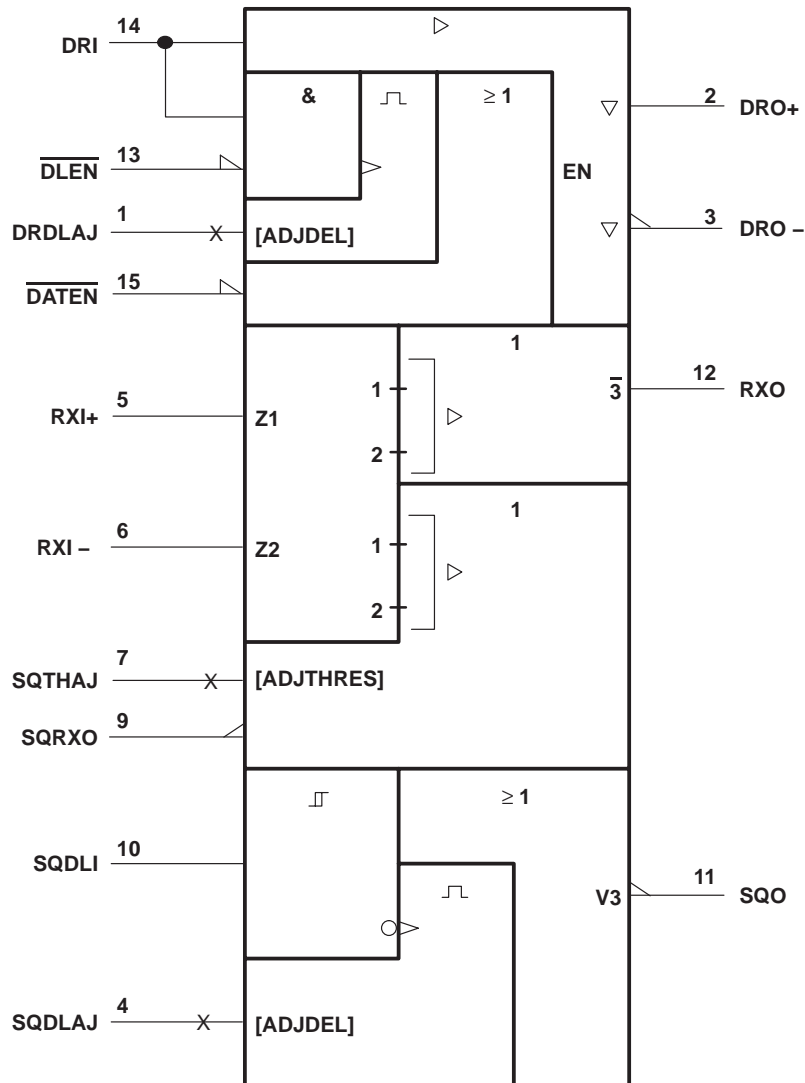
SN75061 DRIVER/RECEIVER PAIR WITH SQUELCH

SLLS026C – JANUARY 1987 – REVISED JULY 1990

logic diagram (positive logic)



logic symbol†



† This symbol is in accordance with ANSI/IEEE Std 91-1984 and IEC Publication 617-12.

description

The SN75061 is a single-channel driver/receiver pair designed for use in IEEE 802.3, 1BASE5 applications as well as other general data communications circuits. The SN75061 offers both a driver and a receiver that are easily configured for use with a variety of controllers and data encoder/decoders.

The receiver features a full analog squelch circuit with an adjustable threshold and a programmable squelch delay. Internal nodes of the squelch circuitry are brought out to external connections to allow for the insertion of noise-filtering circuitry of the designer's choice.

As with the receiver, the driver offers a variety of implementation options. Driver enabling may be directly controlled by an external logic input or by use of an on-chip one-shot that is retriggered as long as data is being sent to the driver. The driver then automatically goes to the high-impedance state when end-of-packet common phrase occurs. The driver features internal slew-rate control for optimal matching of rise and fall times allowing for reduction of driver-induced jitter.

SN75061

DRIVER/RECEIVER PAIR WITH SQUELCH

SLLS026C – JANUARY 1987 – REVISED JULY 1990

receiver

The SN75061 receiver implements full analog squelch functions by integrating both a separate, parallel squelch receiver with an externally programmable threshold, and a programmable one-shot. The output of the squelch receiver and the input to the high-level, dc-triggered one-shot are brought out to external connections. These pins can be shorted for direct implementation or used for the insertion of noise-filtering circuitry of the implementer's design. The receiver one-shot can be effectively bypassed by applying a high logic level to SQDLI. The squelch threshold may be set externally by applying an external voltage set to a level that is -2 times the desired threshold voltage. When SQTHAJ is left open, the squelch receiver defaults to its internal preset value of -600 mV. The receiver also outputs a high logic squelch signal when there is not any active data present at the receiver inputs. When data is not present on the transmission line, the receiver output assumes a high level. The unsquelch duration is set externally with an R-C combination at SQDLAJ.

driver

The driver offers a variety of implementation options. Driver enabling may be controlled directly by an active-low, external logic input on DATEN or by use of another on-chip one-shot that retriggers with positive-going transitions on the driver input line. When positive transition does not occur within the pulse duration set by an external R-C combination, the one-shot times out and the driver is automatically put into a high-impedance state. When operating in the delay-enable mode, the 2-bit-time, high-level, start-of-idle pulse prescribed by IEEE 802.3 1BASE5 causes the one-shot to time out and automatically place the driver outputs in the high-impedance state. This delay time is also adjustable for use in other applications. The driver implements an output slew-rate control that is internally set for nominally 40 mV/ns. (This is roughly a 100-ns peak-to-peak differential transition time.) The driver outputs are capable of driving a 50- Ω differential load with a minimum output level of 2 V. Short-circuit output current is greater than 100 mA.

Terminal Functions

PIN NAME	NO.	DESCRIPTION
$\overline{\text{DATEN}}$	15	Driver data enable. When this sign is low, driver outputs are in an active state. When the signal is high, the driver outputs are in a high-impedance state when $\overline{\text{DLEN}}$ is also high.
$\overline{\text{DLEN}}$	13	Driver delay enable. When this signal is low and $\overline{\text{DATEN}}$ is high, the driver outputs are active for a period of time set by DRDLAJ after a positive-going transition on DRI. When there is not any active data on DRI, the outputs are in a high-impedance state.
DRDLAJ	1	Driver delay adjust is a connection for the external R-C combination that determines the duration of the driver output active state after a positive transition on DRI when $\overline{\text{DLEN}}$ is low and $\overline{\text{DATEN}}$ is high.
DRI	14	Driver data input
DRO+	2	Noninverting driver output
DRO-	3	Inverting driver output
GND	8	Ground. Common for all voltages
RXI+	5	Noninverting receiver input
RXI-	6	Inverting receiver input
RXO	12	Main receiver input
SQDLAJ	4	Squelch delay adjust is a connection for an external R-C combination that determines the duration of the receiver unsquelch after a negative-going transition on SQDLI.
SQDLI	10	Squelch delay input is the input to the one-shot that controls the duration of the receiver unsquelch period. The main receiver output remains unsquelched as long as SQDLI is held high. Timing of the unsquelch period begins on the high-to-low transition of SQDLI.
SQO	11	Squelch output is high while the receiver is squelched.
SQRXO	9	Squelch receiver output is high only when the differential receiver input exceeds the threshold set by SQTHAJ.
SQTHAJ	7	Squelch receiver threshold adjust. The voltage at this input determines the threshold of the squelch receiver in a ratio of -2 , SQTHAJ to threshold. When the receiver is left open, the squelch receiver threshold defaults to -600 mV.
V _{CC}	16	Supply-voltage input

absolute maximum ratings over operating free-air temperature range (unless otherwise noted)†

Supply voltage, V _{CC}	7 V
Input voltage, V _I (any logic input)	7 V
Receiver differential input voltage	±25 V
Receiver input voltage	±15 V
Driver output voltage	-0.5 V to 15 V
Continuous total dissipation at (or below) 25°C free-air temperature (see Note 1)	1150 mW
Operating free-air temperature range, T _A	0°C to 70°C
Storage temperature range, T _{stg}	-65°C to 150°C
Lead temperature 1,6 mm (1/16 inch) from case for 10 seconds	260°C

† Stresses beyond those listed under “absolute maximum ratings” may cause permanent damage to the device. These are stress ratings only, and functional operation of the device at these or any other conditions beyond those indicated under “recommended operating conditions” is not implied. Exposure to absolute-maximum-rated conditions for extended periods may affect device reliability.

NOTE 1: For operation above 25°C free-air temperature, derate to 736 mW at 70°C at the rate of 9.2 mW/°C.

SN75061

DRIVER/RECEIVER PAIR WITH SQUELCH

SLLS026C – JANUARY 1987 – REVISED JULY 1990

recommended operating conditions

	MIN	NOM	MAX	UNIT
Supply voltage, V_{CC}	4.75	5	5.25	V
Driver high-level input voltage, V_{IH}	2			V
Driver low-level input voltage, V_{IL}			0.8	V
Receiver common-mode input voltage, V_{IC} (see Note 2)	-2.5		5	V
Driver high-level output current, I_{OH}			-150	mA
Driver low-level output current, I_{OL}			150	mA
External timing resistance, R_{ext}	5		260	k Ω
External timing capacitance, C_{ext}	No restriction			
Operating free-air temperature, T_A	0		70	$^{\circ}$ C

NOTE 2: The algebraic convention, in which the less-positive (more negative) limit is designated as minimum, is used in this data sheet for common-mode input voltage V_{IC} and threshold levels V_{IT+} and V_{IT-} .

electrical characteristics over recommended operating free-air temperature and supply voltage ranges (unless otherwise noted)

driver

PARAMETER		TEST CONDITIONS	MIN	TYP [†]	MAX	UNIT
V_{IK}	Input clamp voltage	$I_I = -18$ mA			-1.5	V
V_{OD}	Differential output voltage	$R_L = 50$ Ω	2	2.4	3.3	V
		$R_L = 115$ Ω			3.65	
ΔV_{OD}	Change in differential output voltage for a change in logic input state				50	mV
I_{IH}	High-level input current	$V_I = 2.4$ V			20	μ A
I_{IL}	Low-level input current	$V_I = 0.5$ V	± 100		-35	μ A
I_{OS}	Short-circuit output current	$V_O = 0$ or 6 V, $V_I = 0.8$ V or 2.5 V			± 300	mA
I_{OZ}	High-impedance output current	$V_{CC} = 5.25$ V	$V_{OC} = 10$ V		100	μ A
			$V_{OC} = 0$		-100	

[†] All typical values are at $V_{CC} = 5$ V, $T_A = 25^{\circ}$ C.

SN75061 DRIVER/RECEIVER PAIR WITH SQUELCH

SLLS026C – JANUARY 1987 – REVISED JULY 1990

electrical characteristics over recommended operating free-air temperature and supply voltage ranges (unless otherwise noted) (continued)

receiver

PARAMETER		TEST CONDITIONS		MIN	TYP†	MAX	UNIT		
V_{IK}	Input clamp voltage, squelch delay	$I_I = -18 \text{ mA}$				-1.5	V		
V_{IT+}	Positive-going input threshold voltage	$V_O = 2.7 \text{ V}$,	$I_O = -0.4 \text{ mA}$			50	mV		
V_{IT-}	Negative-going input threshold voltage	$V_O = 0.5 \text{ V}$,	$I_O = 16 \text{ mA}$	-50‡			mV		
V_{hys}	Hysteresis voltage ($V_{IT+} - V_{IT-}$)				50		mV		
V_{IC}	Common-mode input voltage					5	V		
V_{OH}	High-level output voltage	RXO	$V_{CC} = 4.75 \text{ V}$, SQDLAJ at 0.8 V	$I_{OH} = -400 \mu\text{A}$,	2.7		V		
		SQO			2.7	3.5			
		SQRXO	$V_{CC} = 4.75 \text{ V}$, $V_{ID(RXI)} = -0.7 \text{ V}$,	$I_{OH} = -20 \mu\text{A}$, SQDLAJ open	2.7	4.65			
V_{OL}	Low-level output voltage	RXO	$V_{CC} = 4.75 \text{ V}$, SQDLAJ at 2 V	$I_{OL} = 8 \text{ mA}$	0.45		V		
				$I_{OL} = 16 \text{ mA}$	0.5				
		SQO		$I_{OL} = 8 \text{ mA}$	0.35	0.5			
				SQRXO	$V_{CC} = 4.75 \text{ V}$, $V_{ID(RXI)} = 50 \text{ mV}$	$I_{OL} = 8 \text{ mA}$		0.45	
					$I_{OL} = 16 \text{ mA}$	0.5			
I_{IH}	High-level input current	SQDLI	$V_I = 2.4 \text{ V}$		20		μA		
I_{IL}	Low-level input current	SQDLI	$V_I = 0.5 \text{ V}$		-35		μA		
I_{OS}	Short-circuit output current	RXO	$V_{CC} = 5.25 \text{ V}$,	$V_O = 0$	-15	-85	mA		
		SQO			-15	-100			
		SQRXO			$V_{CC} = 5 \text{ V}$,	$V_O = 0$		-0.8	-1
r_i	Input resistance			10			k Ω		
$V_{IT-(sq)}$	Squelch preset input threshold voltage	$V_{CC} = 5 \text{ V}$, SQTHAJ open	$V_{IC} = 1.5 \text{ V to } 3.5 \text{ V}$	-525	-600	-675	mV		
			$V_{IC} = -2.5 \text{ V to } 1.5 \text{ V}$ or $3.5 \text{ V to } 5 \text{ V}$	-500	-700		mV		
Ratio of SQTHAJ input voltage to actual squelch threshold voltage		SQTHAJ at 200 mV to 4 V		-1.9	-2.1				

driver and receiver

I_{CC}	Supply current	$V_{CC} = 5.25 \text{ V}$, No load	Driver outputs disabled,		70		mA
----------	----------------	--	--------------------------	--	----	--	----

† All typical values are at $V_{CC} = 5 \text{ V}$, $T_A = 25^\circ\text{C}$.

‡ The algebraic convention, in which the less positive (more negative) limit is designated as minimum, is used in this data sheet for common-mode input voltage V_{IC} and threshold levels V_{IT+} and V_{IT-} .



SN75061 DRIVER/RECEIVER PAIR WITH SQUELCH

SLLS026C – JANUARY 1987 – REVISED JULY 1990

switching characteristics, $V_{CC} = 5\text{ V}$, $T_A = 25^\circ\text{C}$

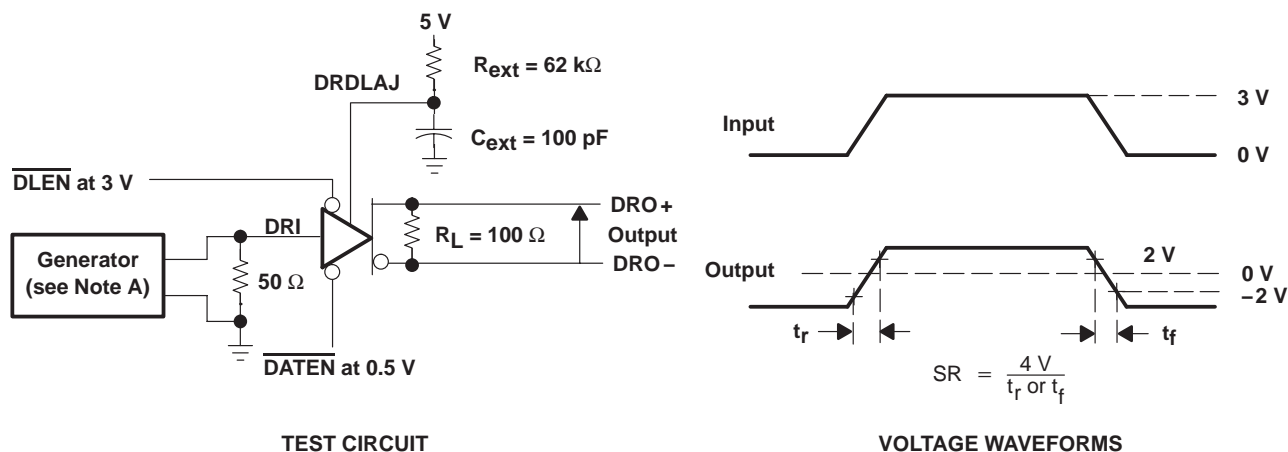
driver

PARAMETER		TEST CONDITIONS	MIN	TYP	MAX	UNIT	
SR	Differential-output slew rate	$V_O = -2\text{ V to } 2\text{ V}$, $R_L = 100\ \Omega$ (differential), See Figure 1	28	40	52	mV/ns	
$t_{d(OD)}$	Differential-output delay time ($t_{d(OD)+}$ and $t_{d(OD)-}$)	$C_{ext} = 15\text{ pF}$, $R_L = 100\ \Omega$ (differential), See Figure 2			160	ns	
	Differential-output delay time difference ($t_{d(OD)+} - t_{d(OD)-}$)	$R_L = 100\ \Omega$ (differential), See Figure 2			5	ns	
t_{PHZ}	Disable time from $\overline{\text{DATEN}}$	See Figure 3, 4, and 5			220	ns	
t_{PLZ}					300	ns	
t_{PZH}	Enable time from $\overline{\text{DATEN}}$				220	ns	
t_{PZL}					290	ns	
t_{PZH}	Enable time from $\overline{\text{DLEN}}$				250	ns	
$t_{w(en)}$	Enable pulse duration time (with $\overline{\text{DLEN}}$ low)	$C_{ext} = 100\text{ pF}$, See Figure 6	$R_{ext} = 62\text{ k}\Omega$	2	2.5	3	μs

receiver

PARAMETER		TEST CONDITIONS	MIN	TYP	MAX	UNIT	
$t_{en(RX)}$	Receiver enable time	Squelch off, See Figure 7		117		ns	
t_{PLH}	Propagation delay time, low- to high level output	Squelch off, See Figure 8		20	35	ns	
t_{PHL}	Propagation delay time, high- to low level output	Squelch off, See Figure 8		22	35	ns	
$t_{d(unsq)}$	Unsquench delay time	$C_{ext} = 50\text{ pF}$, See Figure 9	$R_{ext} = 51\text{ k}\Omega$	1	1.2	1.45	μs
		$C_{ext} = 15\text{ pF}$, See Figure 9	$R_{ext} = 6.8\text{ k}\Omega$			180	ns

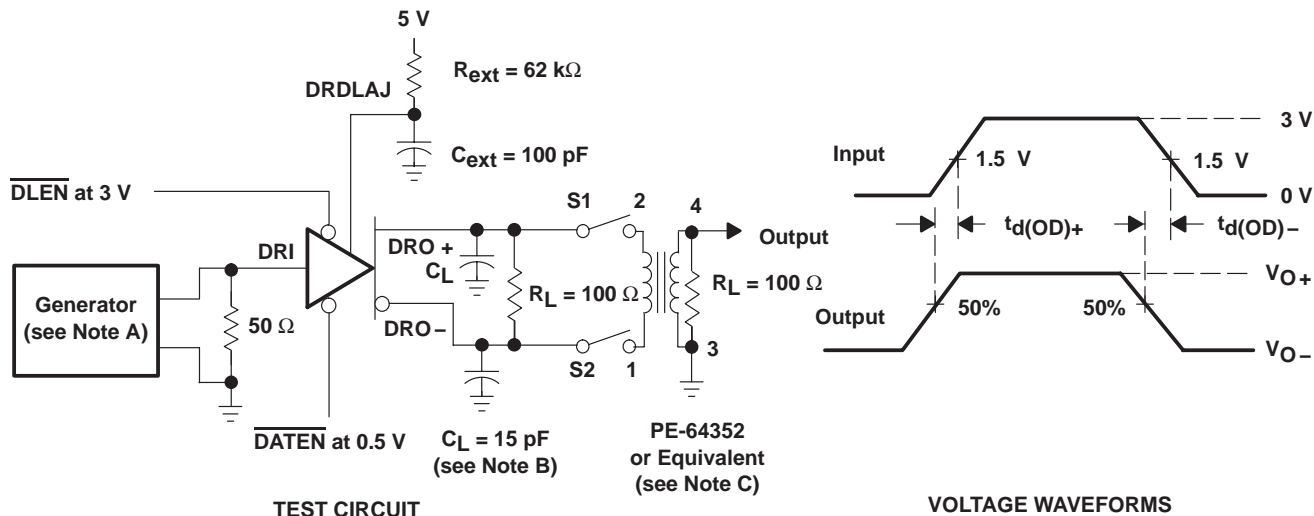
PARAMETER MEASUREMENT INFORMATION



NOTE A: The input pulse is supplied by a generator having the following characteristics: PRR $\leq 1\text{ MHz}$, duty cycle $\leq 50\%$, $t_r \leq 6\text{ ns}$, $t_f \leq 6\text{ ns}$, $Z_O = 50\ \Omega$.

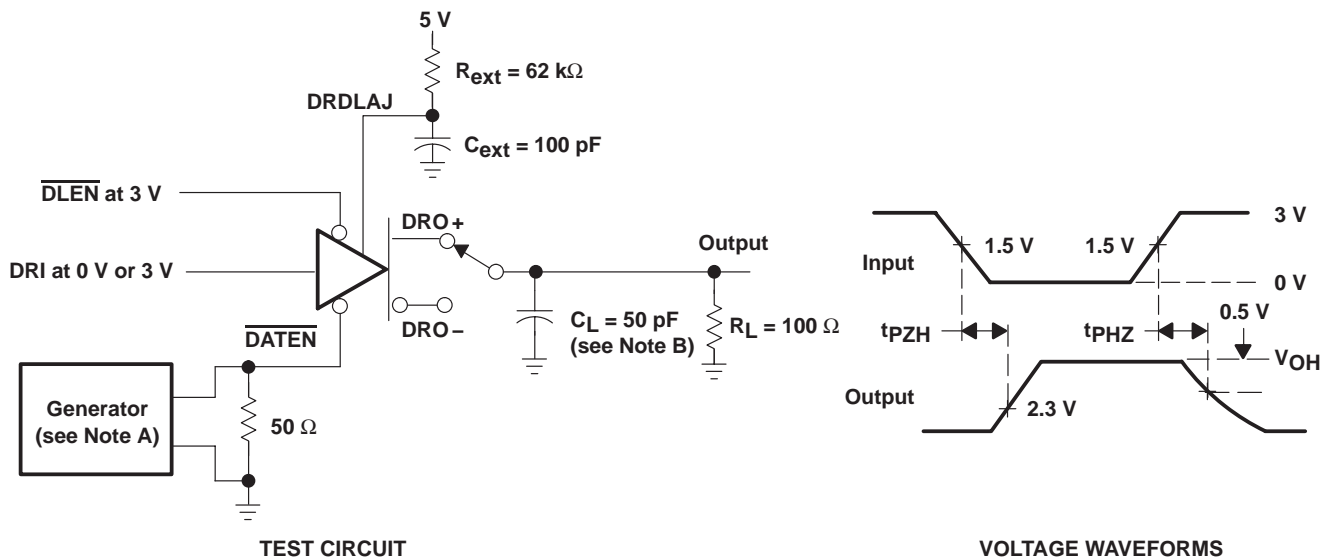
Figure 1. Test Circuit and Voltage Waveforms for Driver Slew Rate

PARAMETER MEASUREMENT INFORMATION



- NOTES: A. The input pulse is supplied by a generator having the following characteristics: PRR \leq 1 MHz, duty cycle \leq 50%, $t_r \leq$ 6 ns, $t_f \leq$ 6 ns, $Z_O = 50 \Omega$.
 B. C_L includes probe and jig capacitance.
 C. When measuring differential-output delay time difference, switches S1 and S2 are closed (Isolation transformer from Pulse Engineering P/N PE-64352).

Figure 2. Test Circuit and Voltage Waveforms for Driver Differential Delay Time



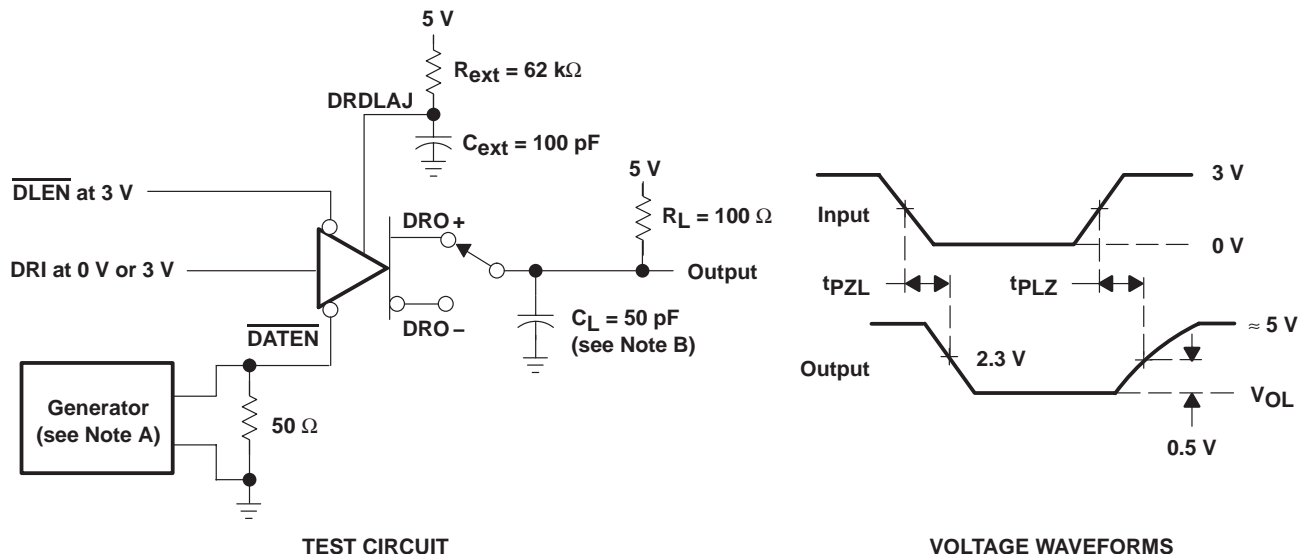
- NOTES: A. The input pulse is supplied by a generator having the following characteristics: PRR \leq 500 kHz, duty cycle \leq 50%, $t_r \leq$ 6 ns, $t_f \leq$ 6 ns, $Z_O = 50 \Omega$.
 B. C_L includes probe and jig capacitance.

Figure 3. Test Circuit and Voltage Waveforms for Driver Enable and Disable Time

SN75061 DRIVER/RECEIVER PAIR WITH SQUELCH

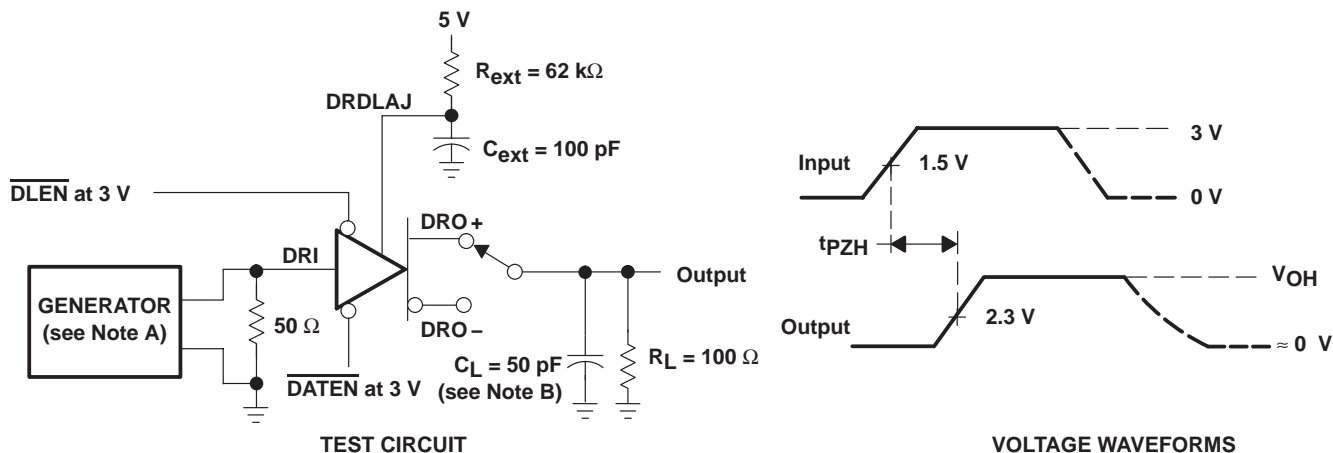
SLLS026C – JANUARY 1987 – REVISED JULY 1990

PARAMETER MEASUREMENT INFORMATION



- NOTES: A. The input pulse is supplied by a generator having the following characteristics: PRR \leq 200 kHz, duty cycle \leq 50%, $t_r \leq$ 6 ns, $t_f \leq$ 6 ns, $Z_O = 50 \Omega$.
B. C_L includes probe and jig capacitance.

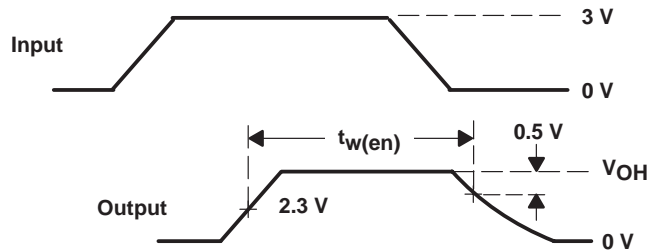
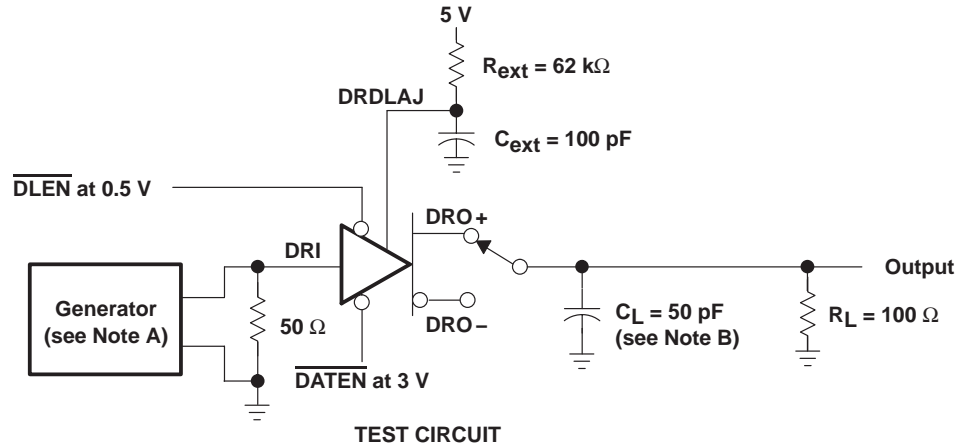
Figure 4. Test Circuit and Voltage Waveforms for Driver Enable and Disable Time



- NOTES: A. The input pulse is supplied by a generator having the following characteristics: PRR \leq 1 MHz, duty cycle \leq 50%, $t_r \leq$ 6 ns, $t_f \leq$ 6 ns, $Z_O = 50 \Omega$.
B. C_L includes probe and jig capacitance.

Figure 5. Test Circuit and Voltage Waveforms for Enable Time From Delay Enable

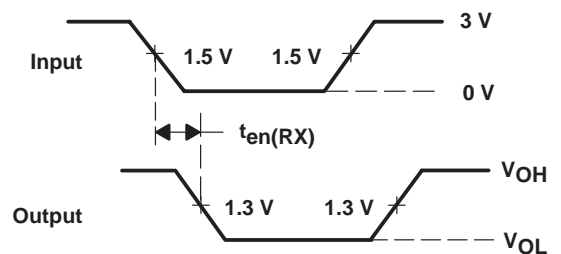
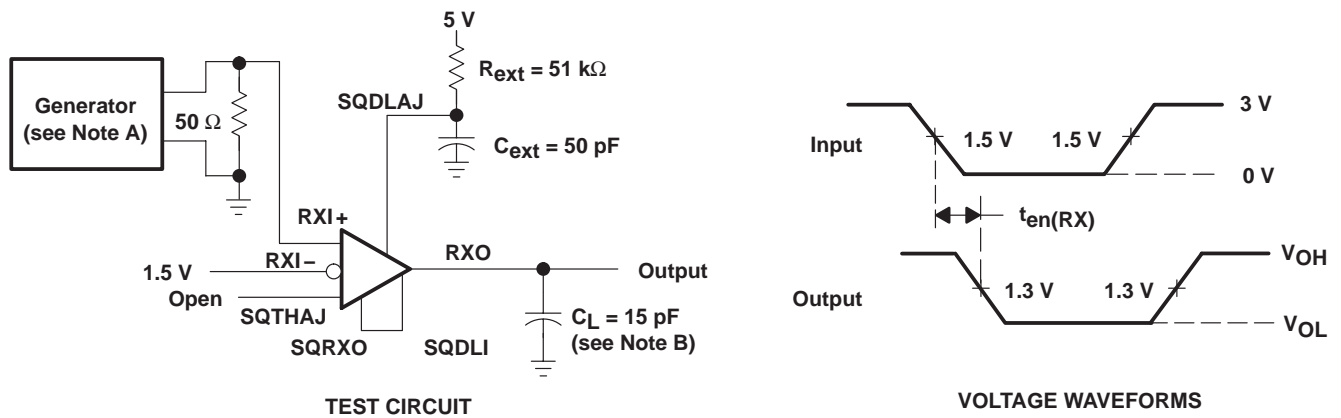
PARAMETER MEASUREMENT INFORMATION



VOLTAGE WAVEFORMS

- NOTES: A. The input pulse is supplied by a generator having the following characteristics: PRR \leq 200 kHz, duty cycle \leq 50%, $t_r \leq$ 6 ns, $t_f \leq$ 6 ns, $Z_0 = 50 \Omega$.
B. C_L includes probe and jig capacitance.

Figure 6. Test Circuit and Voltage Waveforms for Enable Pulse Duration With Delay Enable Low



VOLTAGE WAVEFORMS

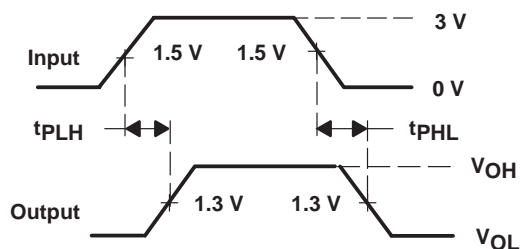
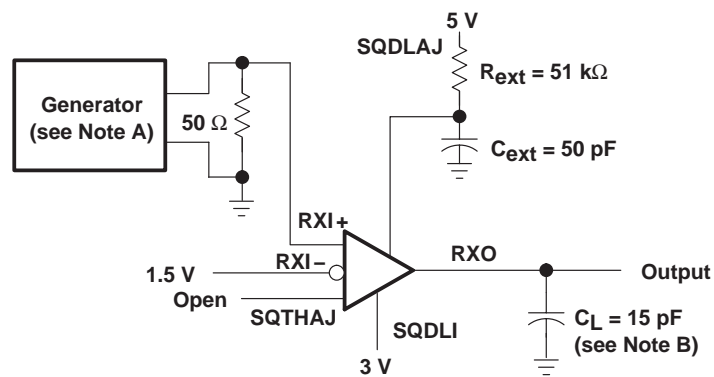
- NOTES: A. The input pulse is supplied by a generator having the following characteristics: PRR \leq 500 kHz, duty cycle \leq 50%, $t_r \leq$ 6 ns, $t_f \leq$ 6 ns, $Z_0 = 50 \Omega$.
B. C_L includes probe and jig capacitance.

Figure 7. Test Circuit and Voltage Waveforms for Receiver Enable (Unsquench) Time

SN75061 DRIVER/RECEIVER PAIR WITH SQUELCH

SLLS026C – JANUARY 1987 – REVISED JULY 1990

PARAMETER MEASUREMENT INFORMATION

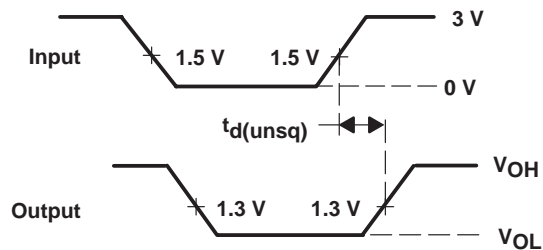
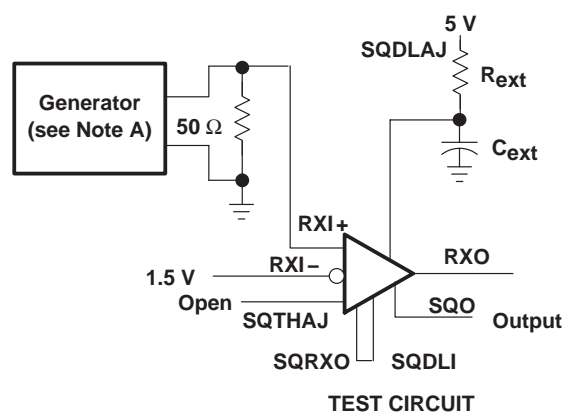


TEST CIRCUIT

VOLTAGE WAVEFORMS

- NOTES: A. The input pulse is supplied by a generator having the following characteristics: PRR \leq 1 MHz, duty cycle \leq 50%, $t_r \leq$ 6 ns, $t_f \leq$ 6 ns, $Z_O = 50 \Omega$.
B. C_L includes probe and jig capacitance.

Figure 8. Test Circuit and Voltage Waveforms for Receiver Propagation Delay Time



TEST CIRCUIT

VOLTAGE WAVEFORMS

Figure 9. Test Circuit and Voltage Waveforms for Unsquelch Duration Time

- NOTE A: The input pulse is supplied by a generator having the following characteristics: PRR \leq 100 kHz, duty cycle \leq 50%, $t_r \leq$ 6 ns, $t_f \leq$ 6 ns, $Z_O = 50 \Omega$.

IMPORTANT NOTICE

Texas Instruments Incorporated and its subsidiaries (TI) reserve the right to make corrections, modifications, enhancements, improvements, and other changes to its products and services at any time and to discontinue any product or service without notice. Customers should obtain the latest relevant information before placing orders and should verify that such information is current and complete. All products are sold subject to TI's terms and conditions of sale supplied at the time of order acknowledgment.

TI warrants performance of its hardware products to the specifications applicable at the time of sale in accordance with TI's standard warranty. Testing and other quality control techniques are used to the extent TI deems necessary to support this warranty. Except where mandated by government requirements, testing of all parameters of each product is not necessarily performed.

TI assumes no liability for applications assistance or customer product design. Customers are responsible for their products and applications using TI components. To minimize the risks associated with customer products and applications, customers should provide adequate design and operating safeguards.

TI does not warrant or represent that any license, either express or implied, is granted under any TI patent right, copyright, mask work right, or other TI intellectual property right relating to any combination, machine, or process in which TI products or services are used. Information published by TI regarding third-party products or services does not constitute a license from TI to use such products or services or a warranty or endorsement thereof. Use of such information may require a license from a third party under the patents or other intellectual property of the third party, or a license from TI under the patents or other intellectual property of TI.

Reproduction of TI information in TI data books or data sheets is permissible only if reproduction is without alteration and is accompanied by all associated warranties, conditions, limitations, and notices. Reproduction of this information with alteration is an unfair and deceptive business practice. TI is not responsible or liable for such altered documentation. Information of third parties may be subject to additional restrictions.

Resale of TI products or services with statements different from or beyond the parameters stated by TI for that product or service voids all express and any implied warranties for the associated TI product or service and is an unfair and deceptive business practice. TI is not responsible or liable for any such statements.

TI products are not authorized for use in safety-critical applications (such as life support) where a failure of the TI product would reasonably be expected to cause severe personal injury or death, unless officers of the parties have executed an agreement specifically governing such use. Buyers represent that they have all necessary expertise in the safety and regulatory ramifications of their applications, and acknowledge and agree that they are solely responsible for all legal, regulatory and safety-related requirements concerning their products and any use of TI products in such safety-critical applications, notwithstanding any applications-related information or support that may be provided by TI. Further, Buyers must fully indemnify TI and its representatives against any damages arising out of the use of TI products in such safety-critical applications.

TI products are neither designed nor intended for use in military/aerospace applications or environments unless the TI products are specifically designated by TI as military-grade or "enhanced plastic." Only products designated by TI as military-grade meet military specifications. Buyers acknowledge and agree that any such use of TI products which TI has not designated as military-grade is solely at the Buyer's risk, and that they are solely responsible for compliance with all legal and regulatory requirements in connection with such use.

TI products are neither designed nor intended for use in automotive applications or environments unless the specific TI products are designated by TI as compliant with ISO/TS 16949 requirements. Buyers acknowledge and agree that, if they use any non-designated products in automotive applications, TI will not be responsible for any failure to meet such requirements.

Following are URLs where you can obtain information on other Texas Instruments products and application solutions:

Products

Amplifiers	amplifier.ti.com
Data Converters	dataconverter.ti.com
DSP	dsp.ti.com
Clocks and Timers	www.ti.com/clocks
Interface	interface.ti.com
Logic	logic.ti.com
Power Mgmt	power.ti.com
Microcontrollers	microcontroller.ti.com
RFID	www.ti-rfid.com
RF/IF and ZigBee® Solutions	www.ti.com/lprf

Applications

Audio	www.ti.com/audio
Automotive	www.ti.com/automotive
Broadband	www.ti.com/broadband
Digital Control	www.ti.com/digitalcontrol
Medical	www.ti.com/medical
Military	www.ti.com/military
Optical Networking	www.ti.com/opticalnetwork
Security	www.ti.com/security
Telephony	www.ti.com/telephony
Video & Imaging	www.ti.com/video
Wireless	www.ti.com/wireless

Mailing Address: Texas Instruments, Post Office Box 655303, Dallas, Texas 75265
Copyright © 2008, Texas Instruments Incorporated