

SN74ALVC16721 3.3-V 20-BIT FLIP-FLOP WITH 3-STATE OUTPUTS

SCAS267A – MARCH 1993 – REVISED MAY 1995

- Member of the Texas Instruments *Widebus™* Family
- *EPIC™* (Enhanced-Performance Implanted CMOS) Submicron Process
- ESD Protection Exceeds 2000 V Per MIL-STD-883C, Method 3015; Exceeds 200 V Using Machine Model (C = 200 pF, R = 0)
- Latch-Up Performance Exceeds 250 mA Per JEDEC Standard JESD-17
- Bus Hold On Data Inputs Eliminates the Need for External Pullup/Pulldown Resistors
- Package Options Include Plastic 300-mil Shrink Small-Outline (DL) and Thin Shrink Small-Outline (DGG) Packages

description

This 20-bit flip-flop is designed specifically for low-voltage (3.3-V) V_{CC} operation; it is tested at 2.5-V, 2.7-V, and 3.3-V V_{CC} .

The SN74ALVC16721's 20 flip-flops are edge-triggered D-type flip-flops with qualified clock storage. On the positive transition of the clock (CLK) input, the device provides true data at the Q outputs if the clock-enable (\overline{CLKEN}) input is low. If \overline{CLKEN} is high, no data is stored.

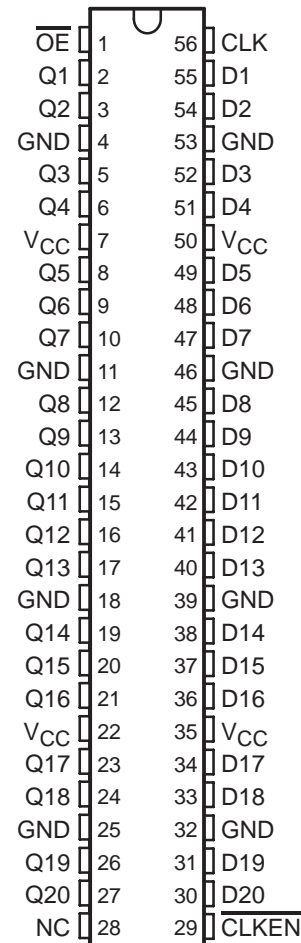
A buffered output-enable (\overline{OE}) input places the 20 outputs in either a normal logic state (high or low level) or a high-impedance state. In the high-impedance state, the outputs neither load nor drive the bus lines significantly. The high-impedance state and increased drive provide the capability to drive bus lines without interface or pullup components. \overline{OE} does not affect the internal operation of the flip-flops. Old data can be retained or new data can be entered while the outputs are in the high-impedance state.

Active bus-hold circuitry holds unused or floating data inputs at a valid logic level.

The SN74ALVC16721 is available in TI's shrink small-outline (DL) and thin shrink small-outline (DGG) packages, which provide twice the I/O pin count and functionality of standard small-outline packages in the same printed-circuit-board area.

The SN74ALVC16721 is characterized for operation from -40°C to 85°C .

DGG OR DL PACKAGE (TOP VIEW)



Please be aware that an important notice concerning availability, standard warranty, and use in critical applications of Texas Instruments semiconductor products and disclaimers thereto appears at the end of this data sheet.

EPIC and Widebus are trademarks of Texas Instruments Incorporated.

PRODUCTION DATA information is current as of publication date. Products conform to specifications per the terms of Texas Instruments standard warranty. Production processing does not necessarily include testing of all parameters.



POST OFFICE BOX 655303 • DALLAS, TEXAS 75265
POST OFFICE BOX 1443 • HOUSTON, TEXAS 77251-1443

Copyright © 1995, Texas Instruments Incorporated

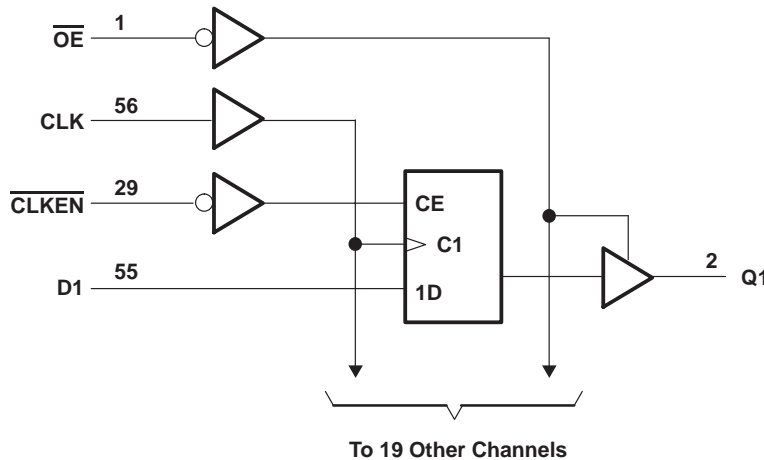
SN74ALVC16721
3.3-V 20-BIT FLIP-FLOP
WITH 3-STATE OUTPUTS

SCAS267A – MARCH 1993 – REVISED MAY 1995

FUNCTION TABLE
(each flip-flop)

| INPUTS | | | | OUTPUT |
|-----------------|--------------------|--------|---|--------|
| \overline{OE} | \overline{CLKEN} | CLK | D | Q |
| L | H | X | X | Q_0 |
| L | L | ↑ | H | H |
| L | L | ↑ | L | L |
| L | L | L or H | X | Q_0 |
| H | X | X | X | Z |

logic diagram (positive logic)



absolute maximum ratings over operating free-air temperature range (unless otherwise noted)†

| | |
|--|----------------------------|
| Supply voltage range, V_{CC} | -0.5 V to 4.6 V |
| Input voltage range, V_I (see Note 1) | -0.5 V to $V_{CC} + 0.5$ V |
| Output voltage range, V_O (see Notes 1 and 2) | -0.5 V to $V_{CC} + 0.5$ V |
| Input clamp current, I_{IK} ($V_I < 0$) | -50 mA |
| Output clamp current, I_{OK} ($V_O < 0$ or $V_O > V_{CC}$) | ±50 mA |
| Continuous output current, I_O ($V_O = 0$ to V_{CC}) | ±50 mA |
| Continuous current through V_{CC} or GND | ±100 mA |
| Maximum power dissipation at $T_A = 55^\circ\text{C}$ (in still air) (see Note 3): DGG package | 1 W |
| DL package | 1.4 W |
| Storage temperature range, T_{stg} | -65°C to 150°C |

† Stresses beyond those listed under “absolute maximum ratings” may cause permanent damage to the device. These are stress ratings only, and functional operation of the device at these or any other conditions beyond those indicated under “recommended operating conditions” is not implied. Exposure to absolute-maximum-rated conditions for extended periods may affect device reliability.

- NOTES: 1. The input and output negative-voltage ratings may be exceeded if the input and output clamp-current ratings are observed.
 2. This value is limited to 4.6 V maximum.
 3. The maximum package power dissipation is calculated using a junction temperature of 150°C and a board trace length of 750 mils. For more information, refer to the *Package Thermal Considerations* application note in the 1994 *ABT Advanced BiCMOS Technology Data Book*, literature number SCBD002B.



SN74ALVC16721
3.3-V 20-BIT FLIP-FLOP
WITH 3-STATE OUTPUTS

SCAS267A – MARCH 1993 – REVISED MAY 1995

recommended operating conditions (see Note 4)

| | | MIN | MAX | UNIT |
|---------------------|------------------------------------|---|----------|------|
| V_{CC} | Supply voltage | 2.3 | 3.6 | V |
| V_{IH} | High-level input voltage | $V_{CC} = 2.3\text{ V to }2.7\text{ V}$ | 1.7 | V |
| | | $V_{CC} = 2.7\text{ V to }3.6\text{ V}$ | 2 | |
| V_{IL} | Low-level input voltage | $V_{CC} = 2.3\text{ V to }2.7\text{ V}$ | 0.7 | V |
| | | $V_{CC} = 2.7\text{ V to }3.6\text{ V}$ | 0.8 | |
| V_I | Input voltage | 0 | V_{CC} | V |
| V_O | Output voltage | 0 | V_{CC} | V |
| I_{OH} | High-level output current | $V_{CC} = 2.3\text{ V}$ | -12 | mA |
| | | $V_{CC} = 2.7\text{ V}$ | -12 | |
| | | $V_{CC} = 3\text{ V}$ | -24 | |
| I_{OL} | Low-level output current | $V_{CC} = 2.3\text{ V}$ | 12 | mA |
| | | $V_{CC} = 2.7\text{ V}$ | 12 | |
| | | $V_{CC} = 3\text{ V}$ | 24 | |
| $\Delta t/\Delta v$ | Input transition rise or fall rate | 0 | 10 | ns/V |
| T_A | Operating free-air temperature | -40 | 85 | °C |

NOTE 4: Unused or floating control pins must be held high or low.



SN74ALVC16721
3.3-V 20-BIT FLIP-FLOP
WITH 3-STATE OUTPUTS

SCAS267A – MARCH 1993 – REVISED MAY 1995

electrical characteristics over recommended operating free-air temperature range (unless otherwise noted)

| PARAMETER | TEST CONDITIONS | V _{CC} † | T _A = -40°C to 85°C | | | UNIT |
|----------------------|--|-------------------|--------------------------------|-----|-----|------|
| | | | MIN | TYP | MAX | |
| V _{OH} | I _{OH} = -100 μA | MIN to MAX | V _{CC} - 0.2 | | | V |
| | I _{OH} = -6 mA, V _{IH} = 1.7 V | 2.3 V | 2 | | | |
| | I _{OH} = -12 mA, V _{IH} = 1.7 V | 2.3 V | 1.7 | | | |
| | I _{OH} = -12 mA, V _{IH} = 2 V | 2.7 V | 2.2 | | | |
| | I _{OH} = -12 mA, V _{IH} = 2 V | 3 V | 2.4 | | | |
| | I _{OH} = -24 mA, V _{IH} = 2 V | 3 V | 2 | | | |
| V _{OL} | I _{OL} = 100 μA | MIN to MAX | 0.2 | | | V |
| | I _{OL} = 6 mA, V _{IL} = 0.7 V | 2.3 V | 0.4 | | | |
| | I _{OL} = 12 mA, V _{IL} = 0.7 V | 2.3 V | 0.7 | | | |
| | I _{OL} = 12 mA, V _{IL} = 0.8 V | 2.7 V | 0.4 | | | |
| | I _{OL} = 24 mA, V _{IL} = 0.8 V | 3 V | 0.55 | | | |
| I _I | V _I = V _{CC} or GND | 3.6 V | ±5 | | | μA |
| I _{I(hold)} | V _I = 0.7 V | 2.3 V | 45 | | | μA |
| | V _I = 1.7 V | | -45 | | | |
| | V _I = 0.8 V | 3 V | 75 | | | |
| | V _I = 2 V | | -75 | | | |
| | V _I = 0 to 3.6 V | 3.6 V | ±500 | | | |
| I _{OZ} ‡ | V _O = V _{CC} or GND | 3.6 V | ±10 | | | μA |
| I _{CC} | V _I = V _{CC} or GND, I _O = 0 | 3.6 V | 40 | | | μA |
| ΔI _{CC} | V _{CC} = 3 V to 3.6 V, One input at V _{CC} - 0.6 V, Other inputs at V _{CC} or GND | | 750 | | | μA |
| C _i | V _I = V _{CC} or GND | 3.3 V | 3.5 | | | pF |
| C _{io} | V _O = V _{CC} or GND | 3.3 V | 7 | | | pF |

† For conditions shown as MIN or MAX, use the appropriate values under recommended operating conditions.

‡ For I/O ports, the parameter I_{OZ} includes the input-leakage current.



SN74ALVC16721
3.3-V 20-BIT FLIP-FLOP
WITH 3-STATE OUTPUTS

SCAS267A – MARCH 1993 – REVISED MAY 1995

timing requirements over recommended ranges of supply voltage and operating free-air temperature (unless otherwise noted) (see Figures 1 and 2)

| | | | | V _{CC} = 3.3 V ± 0.15 V | | V _{CC} = 3.3 V ± 0.3 V | | V _{CC} = 2.7 V | | UNIT |
|--------------------|---------------------------------|---------------------------------------|-------------|-------------------------------------|-----|------------------------------------|-----|-------------------------|-----|------|
| | | | | MIN | MAX | MIN | MAX | MIN | MAX | |
| f _{clock} | Clock frequency | | | 0 | 150 | 0 | 150 | 0 | 150 | MHz |
| t _w | Pulse duration, CLK high or low | | | 3.3 | | 3.3 | | 3.3 | | ns |
| t _{su} | Setup time | Data before CLK↑ | High or low | 4 | | 3.6 | | 3.1 | | ns |
| | | $\overline{\text{CLKEN}}$ before CLK↑ | High or low | 3.4 | | 3.1 | | 2.7 | | |
| t _h | Hold time | Data after CLK↑ | High or low | 0 | | 0 | | 0 | | ns |
| | | $\overline{\text{CLKEN}}$ after CLK↑ | High or low | 0 | | 0 | | 0 | | |

switching characteristics over recommended operating free-air temperature range, C_L = 50 pF (unless otherwise noted) (see Figures 1 and 2)

| PARAMETER | FROM (INPUT) | TO (OUTPUT) | V _{CC} = 2.5 V ± 0.2 V | | V _{CC} = 2.7 V | | V _{CC} = 3.3 V ± 0.3 V | | UNIT |
|------------------|------------------------|----------------|------------------------------------|-----|-------------------------|-----|------------------------------------|-----|------|
| | | | MIN | MAX | MIN | MAX | MIN | MAX | |
| f _{max} | | | 150 | | 150 | | 150 | | MHz |
| t _{pd} | CLK | Q | 1 | 7 | 1 | 5.7 | 1 | 4.9 | ns |
| t _{en} | $\overline{\text{OE}}$ | Q | 1 | 7.4 | 1 | 6.5 | 1 | 5.4 | ns |
| t _{dis} | $\overline{\text{OE}}$ | Q | 1 | 6.2 | 1 | 5.1 | 1 | 4.8 | ns |

operating characteristics, T_A = 25°C

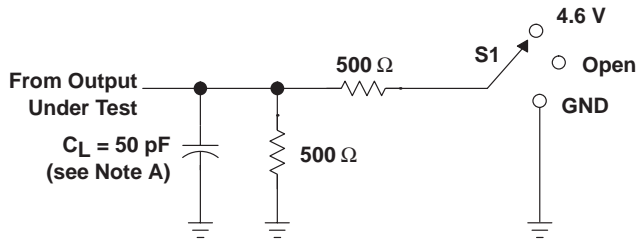
| PARAMETER | | | TEST CONDITIONS | V _{CC} = 2.5 V ± 0.2 V | V _{CC} = 3.3 V ± 0.3 V | UNIT |
|-----------------|-------------------------------|------------------|------------------------------------|------------------------------------|------------------------------------|------|
| | | | | TYP | TYP | |
| C _{pd} | Power dissipation capacitance | Outputs enabled | C _L = 50 pF, f = 10 MHz | 55 | 59 | pF |
| | | Outputs disabled | | 46 | 49 | |



SN74ALVC16721
3.3-V 20-BIT FLIP-FLOP
WITH 3-STATE OUTPUTS

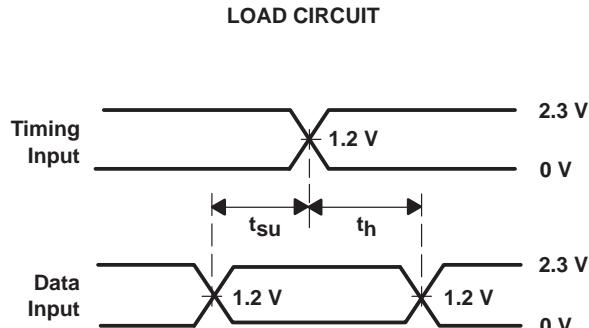
SCAS267A – MARCH 1993 – REVISED MAY 1995

PARAMETER MEASUREMENT INFORMATION
 $V_{CC} = 2.5\text{ V} \pm 0.2\text{ V}$

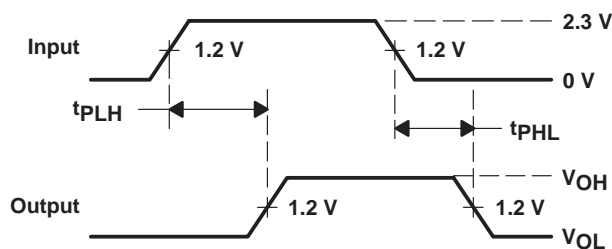


| TEST | S1 |
|-------------------|-------|
| t_{pd} | Open |
| t_{PLZ}/t_{PZL} | 4.6 V |
| t_{PHZ}/t_{PZH} | GND |

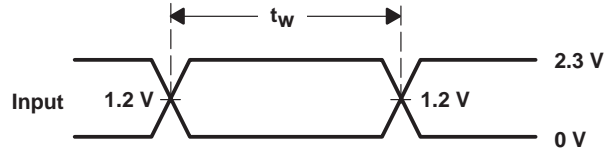
LOAD CIRCUIT



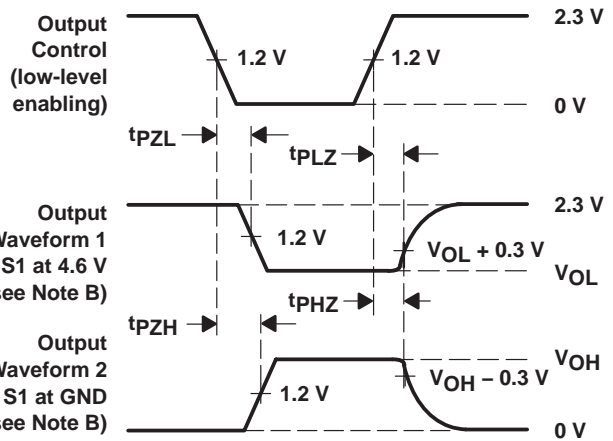
VOLTAGE WAVEFORMS SETUP AND HOLD TIMES



VOLTAGE WAVEFORMS PROPAGATION DELAY TIMES



VOLTAGE WAVEFORMS PULSE DURATION



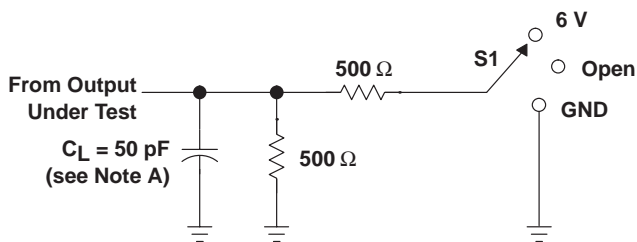
VOLTAGE WAVEFORMS ENABLE AND DISABLE TIMES

- NOTES: A. C_L includes probe and jig capacitance.
 B. Waveform 1 is for an output with internal conditions such that the output is low except when disabled by the output control. Waveform 2 is for an output with internal conditions such that the output is high except when disabled by the output control.
 C. All input pulses are supplied by generators having the following characteristics: $PRR \leq 10\text{ MHz}$, $Z_O = 50\ \Omega$, $t_r \leq 2.5\text{ ns}$, $t_f \leq 2.5\text{ ns}$.
 D. The outputs are measured one at a time with one transition per measurement.
 E. t_{PLZ} and t_{PHZ} are the same as t_{dis} .
 F. t_{PZL} and t_{PZH} are the same as t_{en} .
 G. t_{PLH} and t_{PHL} are the same as t_{pd} .

Figure 1. Load Circuit and Voltage Waveforms

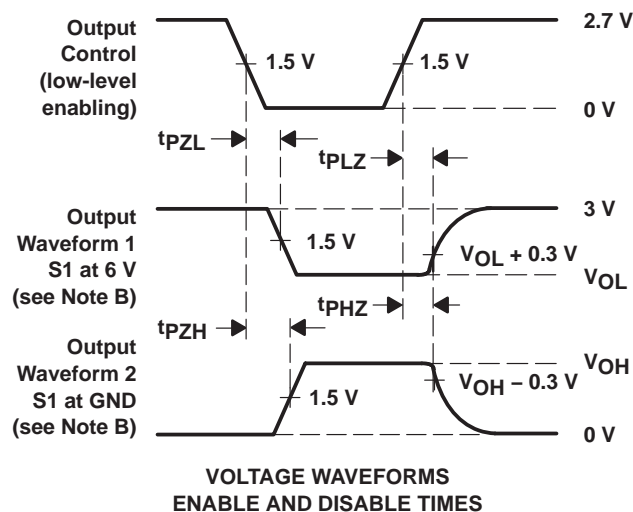
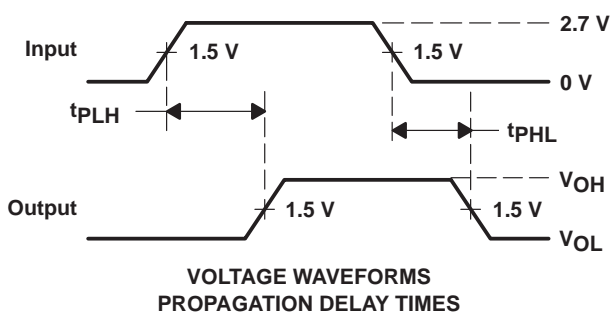
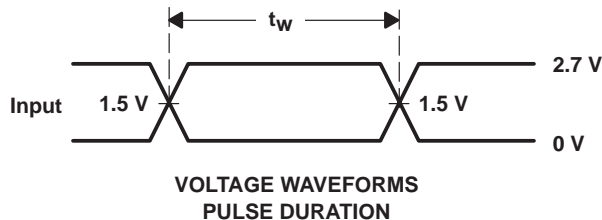
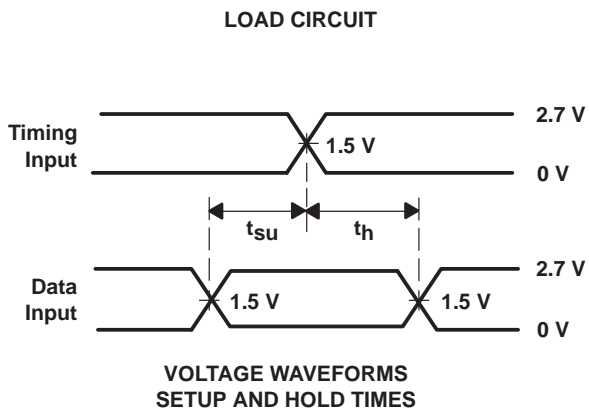


PARAMETER MEASUREMENT INFORMATION
 $V_{CC} = 2.7\text{ V AND } 3.3\text{ V} \pm 0.3\text{ V}$



LOAD CIRCUIT

| TEST | S1 |
|-------------------|------|
| t_{pd} | Open |
| t_{PLZ}/t_{PZL} | 6 V |
| t_{PHZ}/t_{PZH} | GND |



- NOTES:
- C_L includes probe and jig capacitance.
 - Waveform 1 is for an output with internal conditions such that the output is low except when disabled by the output control. Waveform 2 is for an output with internal conditions such that the output is high except when disabled by the output control.
 - All input pulses are supplied by generators having the following characteristics: $PRR \leq 10\text{ MHz}$, $Z_O = 50\ \Omega$, $t_r \leq 2.5\text{ ns}$, $t_f \leq 2.5\text{ ns}$.
 - The outputs are measured one at a time with one transition per measurement.
 - t_{PLZ} and t_{PHZ} are the same as t_{dis} .
 - t_{PZL} and t_{PZH} are the same as t_{en} .
 - t_{PLH} and t_{PHL} are the same as t_{pd} .

Figure 2. Load Circuit and Voltage Waveforms

IMPORTANT NOTICE

Texas Instruments Incorporated and its subsidiaries (TI) reserve the right to make corrections, modifications, enhancements, improvements, and other changes to its products and services at any time and to discontinue any product or service without notice. Customers should obtain the latest relevant information before placing orders and should verify that such information is current and complete. All products are sold subject to TI's terms and conditions of sale supplied at the time of order acknowledgment.

TI warrants performance of its hardware products to the specifications applicable at the time of sale in accordance with TI's standard warranty. Testing and other quality control techniques are used to the extent TI deems necessary to support this warranty. Except where mandated by government requirements, testing of all parameters of each product is not necessarily performed.

TI assumes no liability for applications assistance or customer product design. Customers are responsible for their products and applications using TI components. To minimize the risks associated with customer products and applications, customers should provide adequate design and operating safeguards.

TI does not warrant or represent that any license, either express or implied, is granted under any TI patent right, copyright, mask work right, or other TI intellectual property right relating to any combination, machine, or process in which TI products or services are used. Information published by TI regarding third-party products or services does not constitute a license from TI to use such products or services or a warranty or endorsement thereof. Use of such information may require a license from a third party under the patents or other intellectual property of the third party, or a license from TI under the patents or other intellectual property of TI.

Reproduction of TI information in TI data books or data sheets is permissible only if reproduction is without alteration and is accompanied by all associated warranties, conditions, limitations, and notices. Reproduction of this information with alteration is an unfair and deceptive business practice. TI is not responsible or liable for such altered documentation. Information of third parties may be subject to additional restrictions.

Resale of TI products or services with statements different from or beyond the parameters stated by TI for that product or service voids all express and any implied warranties for the associated TI product or service and is an unfair and deceptive business practice. TI is not responsible or liable for any such statements.

TI products are not authorized for use in safety-critical applications (such as life support) where a failure of the TI product would reasonably be expected to cause severe personal injury or death, unless officers of the parties have executed an agreement specifically governing such use. Buyers represent that they have all necessary expertise in the safety and regulatory ramifications of their applications, and acknowledge and agree that they are solely responsible for all legal, regulatory and safety-related requirements concerning their products and any use of TI products in such safety-critical applications, notwithstanding any applications-related information or support that may be provided by TI. Further, Buyers must fully indemnify TI and its representatives against any damages arising out of the use of TI products in such safety-critical applications.

TI products are neither designed nor intended for use in military/aerospace applications or environments unless the TI products are specifically designated by TI as military-grade or "enhanced plastic." Only products designated by TI as military-grade meet military specifications. Buyers acknowledge and agree that any such use of TI products which TI has not designated as military-grade is solely at the Buyer's risk, and that they are solely responsible for compliance with all legal and regulatory requirements in connection with such use.

TI products are neither designed nor intended for use in automotive applications or environments unless the specific TI products are designated by TI as compliant with ISO/TS 16949 requirements. Buyers acknowledge and agree that, if they use any non-designated products in automotive applications, TI will not be responsible for any failure to meet such requirements.

Following are URLs where you can obtain information on other Texas Instruments products and application solutions:

Products

| | |
|-----------------------------|--|
| Amplifiers | amplifier.ti.com |
| Data Converters | dataconverter.ti.com |
| DSP | dsp.ti.com |
| Clocks and Timers | www.ti.com/clocks |
| Interface | interface.ti.com |
| Logic | logic.ti.com |
| Power Mgmt | power.ti.com |
| Microcontrollers | microcontroller.ti.com |
| RFID | www.ti-rfid.com |
| RF/IF and ZigBee® Solutions | www.ti.com/lprf |

Applications

| | |
|--------------------|--|
| Audio | www.ti.com/audio |
| Automotive | www.ti.com/automotive |
| Broadband | www.ti.com/broadband |
| Digital Control | www.ti.com/digitalcontrol |
| Medical | www.ti.com/medical |
| Military | www.ti.com/military |
| Optical Networking | www.ti.com/opticalnetwork |
| Security | www.ti.com/security |
| Telephony | www.ti.com/telephony |
| Video & Imaging | www.ti.com/video |
| Wireless | www.ti.com/wireless |

Mailing Address: Texas Instruments, Post Office Box 655303, Dallas, Texas 75265
Copyright © 2008, Texas Instruments Incorporated