



## 2.5-V/3.3-V OSCILLATOR GAIN STAGE/BUFFERS

### FEATURES

- Low-Voltage PECL Input and Low-Voltage PECL or LVDS Outputs
- Clock Rates to 1 GHz
  - 250-ps Output Transition Times
  - 0.12 ps Typical Intrinsic Phase Jitter
  - Less than 630 ps Propagation Delay Times
- 2.5-V or 3.3-V Supply Operation

- 2-mm x 2-mm Small-Outline No-Lead Package

### APPLICATIONS

- PECL-to-LVDS Translation
- Clock Signal Amplification

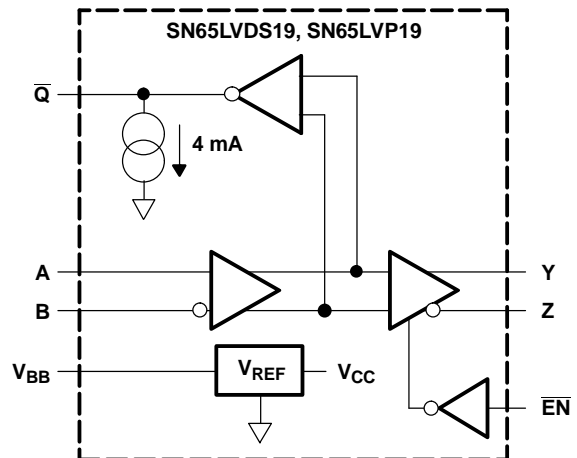
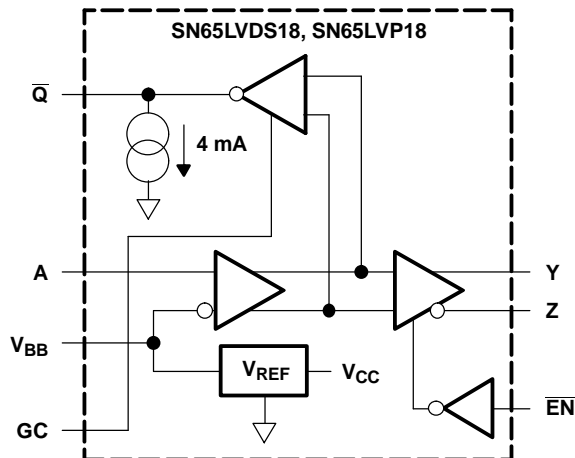
### DESCRIPTION

These four devices are high frequency oscillator gain stages supporting both LVPECL or LVDS on the high gain outputs in 3.3-V or 2.5-V systems. Additionally, provides the option of both single-ended input (PECL levels on the SN65LVx18) and fully differential inputs on the SN65LVx19.

The SN65LVx18 provides the user a Gain Control (GC) for controlling the  $\bar{Q}$  output from 300 mV to 860 mV either by leaving it open (NC), grounded, or tied to  $V_{CC}$ . (When left open, the  $\bar{Q}$  output defaults to 575 mV.) The  $\bar{Q}$  on the SN65LVx19 defaults to 575 mV as well.

Both devices provide a voltage reference ( $V_{BB}$ ) of typically 1.35 V below  $V_{CC}$  for use in receiving single-ended PECL input signals. When not used,  $V_{BB}$  should be unconnected or open.

All devices are characterized for operation from  $-40^{\circ}\text{C}$  to  $85^{\circ}\text{C}$ .



Please be aware that an important notice concerning availability, standard warranty, and use in critical applications of Texas Instruments semiconductor products and disclaimers thereto appears at the end of this data sheet.



These devices have limited built-in ESD protection. The leads should be shorted together or the device placed in conductive foam during storage or handling to prevent electrostatic damage to the MOS gates.

### AVAILABLE OPTIONS<sup>(1)</sup>

| INPUT        | OUTPUT | GAIN CONTROL | BASE PART NUMBER | PART MARKING |
|--------------|--------|--------------|------------------|--------------|
| Single-ended | LVDS   | Yes          | SN65LVDS18       | ER           |
| Single-ended | LVPECL | Yes          | SN65LVP18        | EP           |
| Differential | LVDS   | No           | SN65LVDS19       | ET           |
| Differential | LVPECL | No           | SN65LVP19        | ES           |

(1) For the most current package and ordering information, see the Package Option Addendum at the end of this document, or see the TI website at [www.ti.com](http://www.ti.com).

### ABSOLUTE MAXIMUM RATINGS

over operating free-air temperature range (unless otherwise noted) <sup>(1)</sup>

|                                            | UNIT                                |
|--------------------------------------------|-------------------------------------|
| $V_{CC}$ Supply voltage <sup>(2)</sup>     | -0.5 V to 4 V                       |
| $V_I$ Input voltage                        | -0.5 V to $V_{CC} + 0.5$ V          |
| $V_O$ Output voltage                       | -0.5 V to $V_{CC} + 0.5$ V          |
| $I_O$ $V_{BB}$ output current              | ±0.5 mA                             |
| HBM electrostatic discharge <sup>(3)</sup> | ±3 kV                               |
| CDM electrostatic discharge <sup>(4)</sup> | ±1500 V                             |
| Continuous power dissipation               | See Power Dissipation Ratings Table |

- (1) Stresses beyond those listed under "absolute maximum ratings" may cause permanent damage to the device. These are stress ratings only and functional operation of the device at these or any other conditions beyond those indicated under "recommended operating conditions" is not implied. Exposure to absolute-maximum-rated conditions for extended periods may affect device reliability.
- (2) All voltage values, except differential voltages, are with respect to network ground (see [Figure 1](#)).
- (3) Tested in accordance with JEDEC Standard 22, Test Method A114-A-7
- (4) Tested in accordance with JEDEC Standard 22, Test Method C101

### DISSIPATION RATINGS

| PACKAGE | $T_A < 25^\circ\text{C}$<br>POWER RATING | OPERATING FACTOR<br>ABOVE $T_A = 25^\circ\text{C}$ | $T_A = 85^\circ\text{C}$<br>POWER RATING |
|---------|------------------------------------------|----------------------------------------------------|------------------------------------------|
| DRF     | 403 mW                                   | 4.0 mW/°C                                          | 161 mW                                   |

### RECOMMENDED OPERATING CONDITIONS

|                                                                     |                         | MIN                 | NOM        | MAX                   | UNIT |
|---------------------------------------------------------------------|-------------------------|---------------------|------------|-----------------------|------|
| $V_{CC}$ Supply Voltage                                             |                         | 2.375               | 2.5 or 3.3 | 3.6                   | V    |
| $V_{IC}$ Common-mode input voltage $(V_{IA} + V_{IB})/2$            | SN65LVDS19 or SN65LVP19 | 1.2                 |            | $V_{CC} - (V_{ID}/2)$ | V    |
| $ V_{ID} $ Differential input voltage magnitude $ V_{IA} - V_{IB} $ | SN65LVDS19 or SN65LVP19 | 0.8                 |            | 1                     | V    |
| $V_{IH}$ High-level input voltage                                   | $\overline{EN}$         | 2                   |            | $V_{CC}$              | V    |
|                                                                     | SN65LVDS18 or SN65LVP18 | $V_{CC} - 1.17$     |            | $V_{CC} - 0.44$       |      |
| $V_{IL}$ Low-level input voltage                                    | $\overline{EN}$         | 0                   |            | 0.8                   | V    |
|                                                                     | SN65LVDS18 or SN65LVP18 | $V_{CC} - 2.25$     |            | $V_{CC} - 1.52$       |      |
| $I_O$ Output current to $V_{BB}$                                    |                         | -400 <sup>(1)</sup> |            | 400                   | μA   |
| $R_L$ Differential load resistance                                  |                         | 90                  |            | 132                   | Ω    |
| $T_A$ Operating free-air temperature                                |                         | -40                 |            | 85                    | °C   |

(1) The algebraic convention, where the least positive (more negative) value is designated minimum, is used in this data sheet.

## ELECTRICAL CHARACTERISTICS

over recommended operating conditions (unless otherwise noted)

| PARAMETER                                                                              | TEST CONDITIONS                                                               | MIN                                                                          | TYP <sup>(1)</sup>     | MAX                    | UNIT                   |    |
|----------------------------------------------------------------------------------------|-------------------------------------------------------------------------------|------------------------------------------------------------------------------|------------------------|------------------------|------------------------|----|
| I <sub>CC</sub>                                                                        | Supply current                                                                | R <sub>L</sub> = 100 Ω, $\overline{EN}$ at 0 V,<br>Other inputs open         | 30                     | 36                     | mA                     |    |
|                                                                                        |                                                                               | Outputs unloaded,<br>$\overline{EN}$ at 0 V, Other inputs open               | 17                     | 22                     |                        |    |
| V <sub>BB</sub>                                                                        | Reference voltage <sup>(2)</sup>                                              | I <sub>BB</sub> = -400 μA                                                    | V <sub>CC</sub> - 1.44 | V <sub>CC</sub> - 1.35 | V <sub>CC</sub> - 1.25 | V  |
| I <sub>IH</sub>                                                                        | High-level input current, $\overline{EN}$                                     | V <sub>I</sub> = 2 V                                                         | -20                    | 20                     | μA                     |    |
| I <sub>IAH</sub> or I <sub>IBH</sub>                                                   | High-level input current, A or B                                              | V <sub>I</sub> = V <sub>CC</sub>                                             | -20                    | 20                     |                        |    |
| I <sub>IL</sub>                                                                        | Low-level input current, $\overline{EN}$                                      | V <sub>I</sub> = 0.8 V                                                       | -20                    | 20                     |                        |    |
| I <sub>IAL</sub> or I <sub>IBL</sub>                                                   | Low-level input current, A or B                                               | V <sub>I</sub> = GND                                                         | -20                    | 20                     |                        |    |
| <b>SN65LVDS18/19 Y AND Z OUTPUT CHARACTERISTICS</b>                                    |                                                                               |                                                                              |                        |                        |                        |    |
| V <sub>OD</sub>                                                                        | Differential output voltage magnitude,  V <sub>OY</sub> - V <sub>OZ</sub>     |                                                                              | 247                    | 340                    | 454                    | mV |
| Δ V <sub>OD</sub>                                                                      | Change in differential output voltage magnitude between logic states          | See <a href="#">Figure 1</a> and <a href="#">Figure 2</a>                    |                        |                        | 50                     |    |
| V <sub>OC(SS)</sub>                                                                    | Steady-state common-mode output voltage (see <a href="#">Figure 3</a> )       |                                                                              | 1.125                  | 1.375                  |                        | V  |
| ΔV <sub>OC(SS)</sub>                                                                   | Change in steady-state common-mode output voltage between logic states        | See <a href="#">Figure 3</a>                                                 | -50                    | 50                     |                        | mV |
| V <sub>OC(PP)</sub>                                                                    | Peak-to-peak common-mode output voltage                                       |                                                                              | 50                     | 100                    |                        |    |
| I <sub>OYZ</sub> or I <sub>OZZ</sub>                                                   | High-impedance output current                                                 | $\overline{EN}$ at V <sub>CC</sub> , V <sub>O</sub> = 0 V or V <sub>CC</sub> | -1                     |                        | 1                      | μA |
| I <sub>OYS</sub> or I <sub>OZS</sub>                                                   | Short-circuit output current                                                  | $\overline{EN}$ at 0 V, V <sub>OY</sub> or V <sub>OZ</sub> = 0 V             | -50                    |                        | 50                     | mA |
| I <sub>OS(D)</sub>                                                                     | Differential short-circuit output current,  I <sub>OY</sub> - I <sub>OZ</sub> | $\overline{EN}$ at 0 V,<br>V <sub>OY</sub> = V <sub>OZ</sub>                 | -12                    |                        | 12                     |    |
| <b>SN65LVP18/19 Y AND Z OUTPUT CHARACTERISTICS</b>                                     |                                                                               |                                                                              |                        |                        |                        |    |
| V <sub>OYH</sub> or V <sub>OZH</sub>                                                   | High-level output voltage                                                     | 3.3 V; 50 Ω from Y and Z to V <sub>CC</sub> - 2 V                            | V <sub>CC</sub> - 1.13 |                        | V <sub>CC</sub> - 0.85 | V  |
| V <sub>OYL</sub> or V <sub>OZL</sub>                                                   | Low-level output voltage                                                      |                                                                              | V <sub>CC</sub> - 1.87 |                        | V <sub>CC</sub> - 1.61 |    |
| V <sub>OYL</sub> or V <sub>OZL</sub>                                                   | Low-level output voltage                                                      | 2.5 V; 50 Ω from Y and Z to V <sub>CC</sub> - 2 V                            | V <sub>CC</sub> - 1.92 |                        | V <sub>CC</sub> - 1.61 |    |
| V <sub>OD</sub>                                                                        | Differential output voltage magnitude,  V <sub>OH</sub> - V <sub>OL</sub>     |                                                                              | 0.6                    | 0.8                    | 1                      |    |
| I <sub>OYZ</sub> or I <sub>OZZ</sub>                                                   | High-impedance output current                                                 | $\overline{EN}$ at V <sub>CC</sub> , V <sub>O</sub> = 0 V or V <sub>CC</sub> | -1                     |                        | 1                      | μA |
| <b><math>\overline{Q}</math> OUTPUT CHARACTERISTICS (see <a href="#">Figure 1</a>)</b> |                                                                               |                                                                              |                        |                        |                        |    |
| V <sub>OH</sub>                                                                        | High-level output voltage                                                     | No load                                                                      |                        | V <sub>CC</sub> - 0.94 |                        | V  |
| V <sub>OL</sub>                                                                        | Low-level output voltage                                                      | GC Tied to GND, No load                                                      |                        | V <sub>CC</sub> - 1.22 |                        | V  |
|                                                                                        |                                                                               | GC Open, No load                                                             |                        | V <sub>CC</sub> - 1.52 |                        |    |
|                                                                                        |                                                                               | GC Tied to V <sub>CC</sub> , No load                                         |                        | V <sub>CC</sub> - 1.82 |                        |    |
| V <sub>O(PP)</sub>                                                                     | Peak-to-peak output voltage                                                   | GC Tied to GND                                                               |                        | 300                    |                        | mV |
|                                                                                        |                                                                               | GC Open                                                                      |                        | 575                    |                        |    |
|                                                                                        |                                                                               | CGT Tied to V <sub>CC</sub>                                                  |                        | 860                    |                        |    |

(1) Typical values are at room temperature and with a V<sub>CC</sub> of 3.3 V.

(2) Single-ended input operation is limited to V<sub>CC</sub> ≥ 3.0 V.

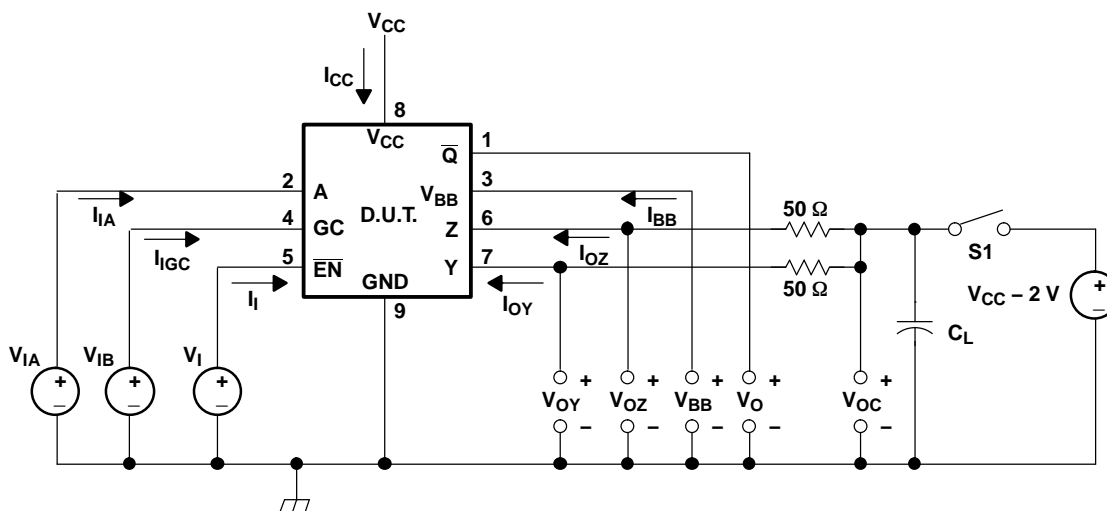
## SWITCHING CHARACTERISTICS

over recommended operating conditions (unless otherwise noted)

| PARAMETER             |                                                                | TEST CONDITIONS                                         | MIN          | TYP <sup>(1)</sup> | MAX | UNIT |
|-----------------------|----------------------------------------------------------------|---------------------------------------------------------|--------------|--------------------|-----|------|
| t <sub>PD</sub>       | Propagation delay time, t <sub>PLH</sub> or t <sub>PHL</sub>   | A to $\bar{Q}$                                          | See Figure 4 | 340                | 460 | ps   |
|                       |                                                                | D to Y or Z                                             |              | 460                | 630 |      |
| t <sub>SK(P)</sub>    | Pulse skew,  t <sub>PLH</sub> - t <sub>PHL</sub>               |                                                         |              |                    | 20  |      |
| t <sub>SK(PP)</sub>   | Part-to-part skew <sup>(2)</sup>                               | V <sub>CC</sub> = 3.3 V                                 |              |                    | 80  | ps   |
|                       |                                                                | V <sub>CC</sub> = 2.5 V                                 |              |                    | 130 |      |
| t <sub>r</sub>        | 20%-to-80% differential signal rise time                       | LVDS, See Figure 4                                      |              | 140                | 250 | ps   |
|                       |                                                                | LVPECL, See Figure 4                                    |              | 190                | 300 |      |
| t <sub>f</sub>        | 20%-to-80% differential signal fall time                       | LVDS, See Figure 4                                      |              | 140                | 250 | ps   |
|                       |                                                                | LVPECL, See Figure 4                                    |              | 210                | 300 |      |
| t <sub>jit(per)</sub> | RMS period jitter <sup>(3)</sup>                               | 2-GHz 50%-duty-cycle square-wave input,<br>See Figure 5 |              | 2                  | 4   | ps   |
| t <sub>jit(cc)</sub>  | Peak cycle-to-cycle jitter <sup>(4)</sup>                      |                                                         |              | 17                 | 24  |      |
| t <sub>jit(ph)</sub>  | Intrinsic phase jitter                                         | 1 GHz                                                   |              | 0.12               |     | ps   |
| t <sub>PHZ</sub>      | Propagation delay time,<br>high-level-to-high-impedance output | See Figure 6                                            |              |                    | 30  | ns   |
| t <sub>PLZ</sub>      | Propagation delay time,<br>low-level-to-high-impedance output  |                                                         |              |                    | 30  |      |
| t <sub>PZH</sub>      | Propagation delay time,<br>high-impedance-to-high-level output |                                                         |              |                    | 30  |      |
| t <sub>PZL</sub>      | Propagation delay time,<br>high-impedance-to-low-level output  |                                                         |              |                    | 30  |      |

- (1) Typical values are at room temperature and with a V<sub>CC</sub> of 3.3 V.
- (2) Part-to-part skew is the magnitude of the difference in propagation delay times between any specified terminals of two devices when both devices operate with the same supply voltages, at the same temperature, and have identical packages and test circuits.
- (3) Period jitter is the deviation in cycle time of a signal with respect to the ideal period over a random sample of 100,000 cycles.
- (4) Cycle-to-cycle jitter is the variation in cycle time of a signal between adjacent cycles, over a random sample of 1,000 adjacent cycle pairs.

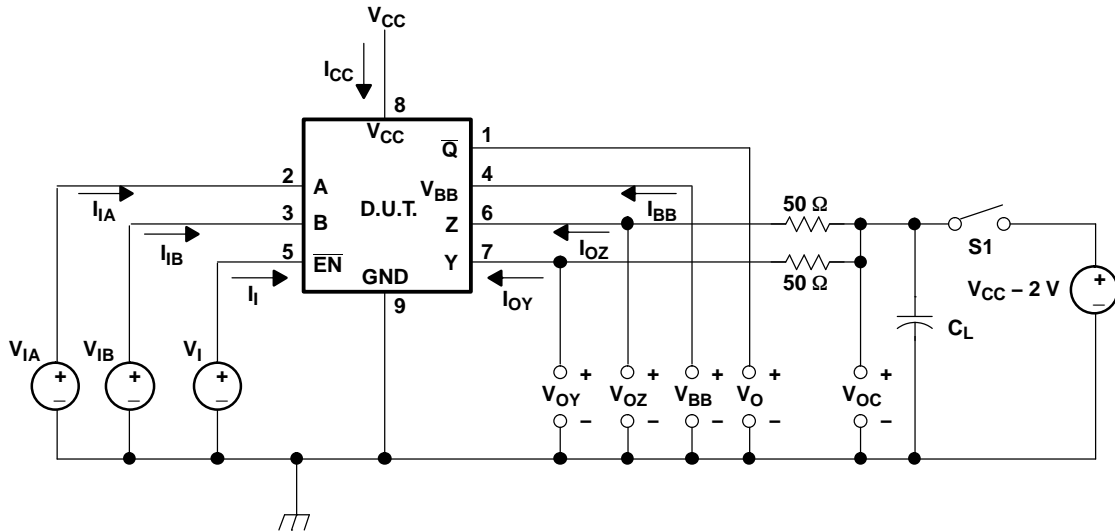
## PARAMETER MEASUREMENT INFORMATION



- (1) C<sub>L</sub> is the instrumentation and test fixture capacitance.
- (2) S1 is open for the SN65LVDS18 and closed for the SN65LVP18.

Figure 1. Output Voltage Test Circuit and Voltage and Current Definitions for LVDS/LVP18

PARAMETER MEASUREMENT INFORMATION (continued)



- (1)  $C_L$  is the instrumentation and test fixture capacitance.
- (2) S1 is open for the SN65LVDS19 and closed for the SN65LVP19.

Figure 2. Output Voltage Test Circuit and Voltage and Current Definitions for LVDS/LVP19

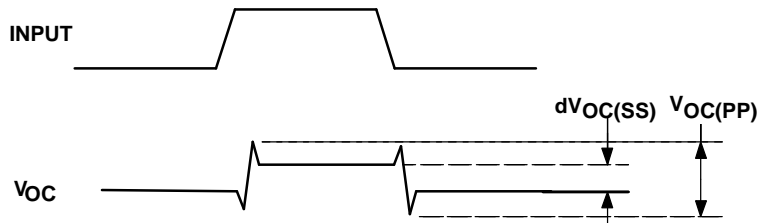


Figure 3.  $V_{OC}$  Definitions

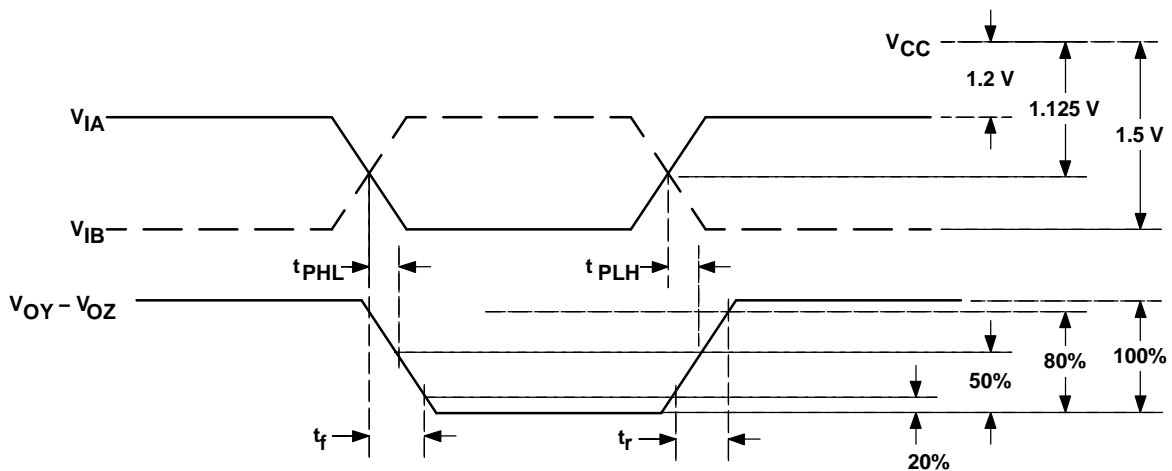


Figure 4. Propagation Delay and Transition Time Test Waveforms

PARAMETER MEASUREMENT INFORMATION (continued)

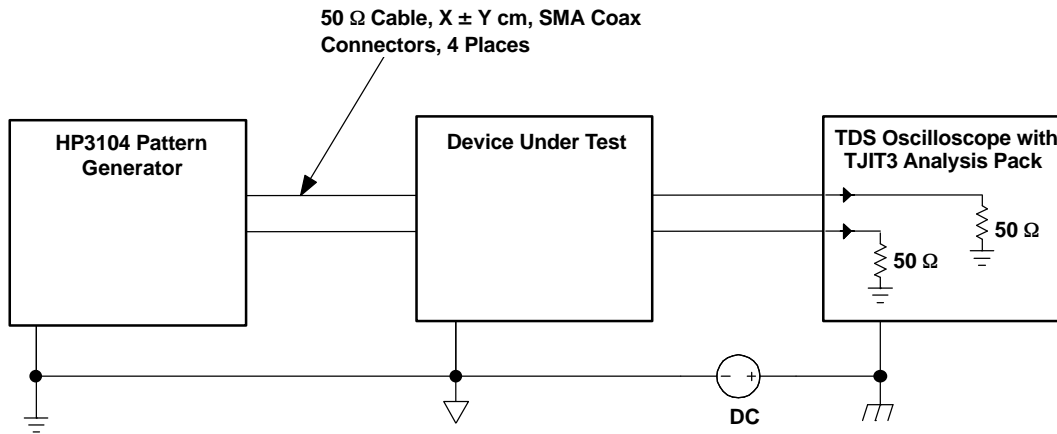


Figure 5. Jitter Measurement Setup

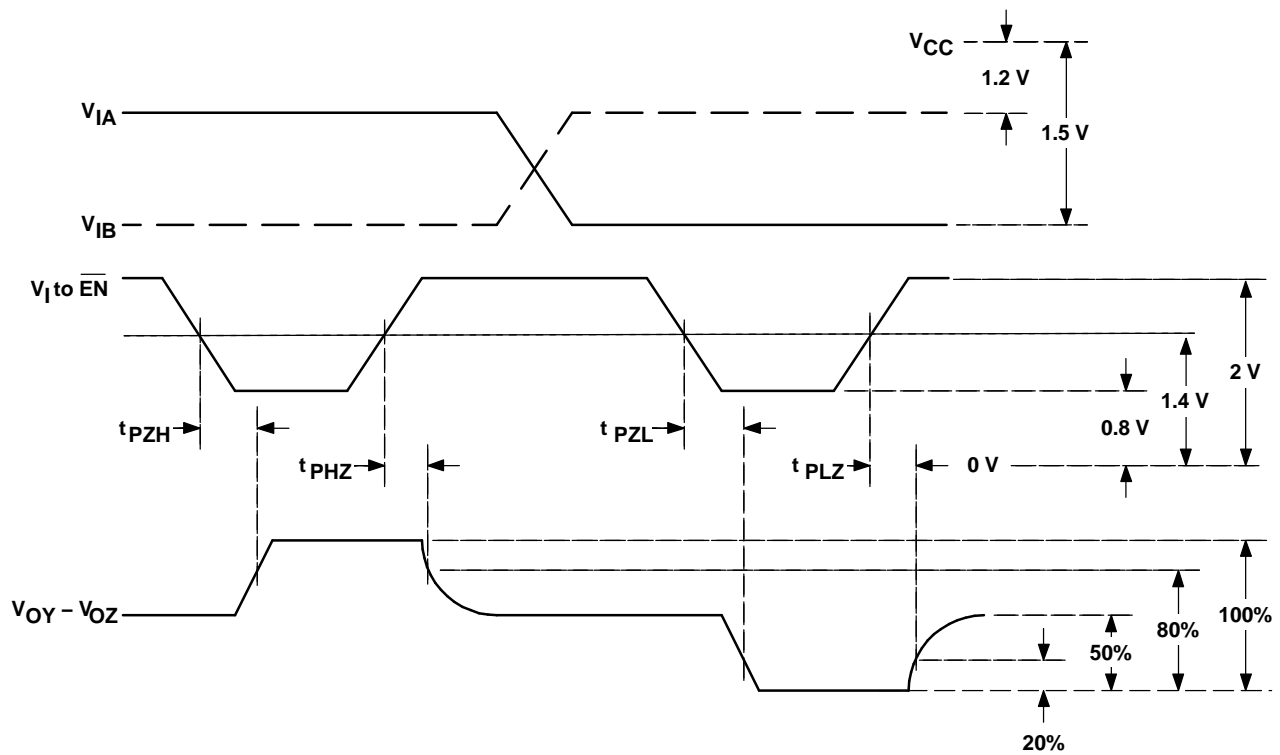


Figure 6. Enable and Disable Time Test Waveforms

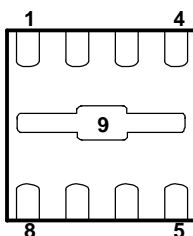
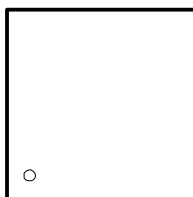
**DEVICE INFORMATION**

**FUNCTION TABLE (1)**

| SN65LVDS18, SN65LVP18 |                        |                       |   |   | SN65LVDS19, SN65LVP19 |      |                        |                       |   |   |
|-----------------------|------------------------|-----------------------|---|---|-----------------------|------|------------------------|-----------------------|---|---|
| A                     | $\overline{\text{EN}}$ | $\overline{\text{Q}}$ | Y | Z | A                     | B    | $\overline{\text{EN}}$ | $\overline{\text{Q}}$ | Y | Z |
| H                     | L                      | L                     | H | L | H                     | H    | L                      | ?                     | ? | ? |
| L                     | L                      | H                     | L | H | L                     | H    | L                      | H                     | L | H |
| X                     | H                      | ?                     | Z | Z | H                     | L    | L                      | L                     | H | L |
| Open                  | L                      | ?                     | ? | ? | L                     | L    | L                      | ?                     | ? | ? |
| X                     | Open                   | ?                     | ? | ? | X                     | X    | H                      | ?                     | Z | Z |
|                       |                        |                       |   |   | Open                  | Open | L                      | ?                     | ? | ? |
|                       |                        |                       |   |   | X                     | X    | Open                   | ?                     | ? | ? |

(1) H = high, L = low, Z = high impedance, ? = indeterminate

**DRF PACKAGE  
TOP VIEW**



**BOTTOM VIEW**

**Package Pin Assignments – Numerical Listing**

| SN65LVDS18, SN65LVP18 |                        | SN65LVDS19, SN65LVP19 |                        |
|-----------------------|------------------------|-----------------------|------------------------|
| PIN                   | SIGNAL                 | PIN                   | SIGNAL                 |
| 1                     | $\overline{\text{Q}}$  | 1                     | $\overline{\text{Q}}$  |
| 2                     | A                      | 2                     | A                      |
| 3                     | $V_{\text{BB}}$        | 3                     | B                      |
| 4                     | GC                     | 4                     | $V_{\text{BB}}$        |
| 5                     | $\overline{\text{EN}}$ | 5                     | $\overline{\text{EN}}$ |
| 6                     | Z                      | 6                     | Z                      |
| 7                     | Y                      | 7                     | Y                      |
| 8                     | $V_{\text{CC}}$        | 8                     | $V_{\text{CC}}$        |
| 9                     | GND                    | 9                     | GND                    |

TYPICAL CHARACTERISTICS

SUPPLY CURRENT  
VS  
FREQUENCY

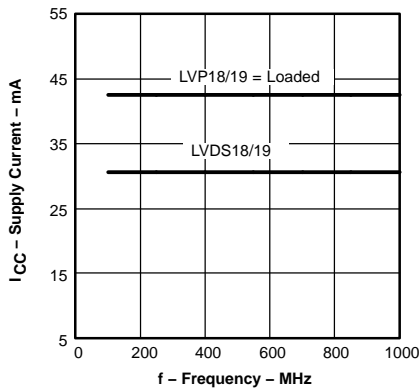


Figure 7.

SUPPLY CURRENT  
VS  
FREE-AIR TEMPERATURE

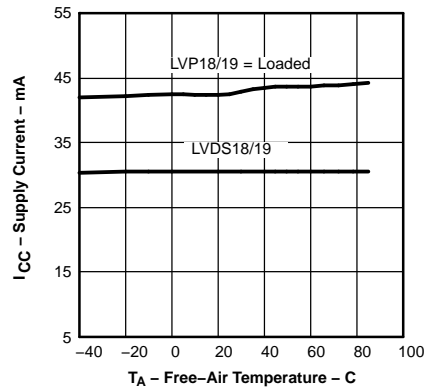


Figure 8.

LVDS18/19 RISE/FALL TIME  
VS  
FREE-AIR TEMPERATURE

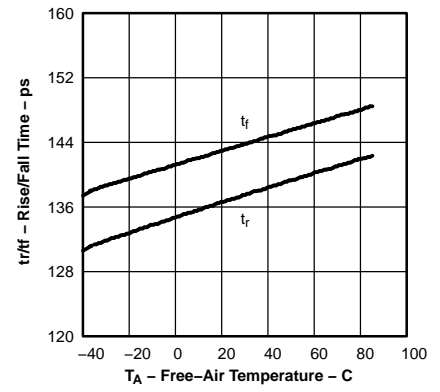


Figure 9.

LVP18/19 RISE/FALL TIME  
VS  
FREE-AIR TEMPERATURE

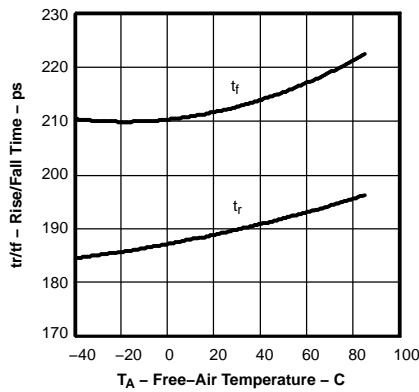


Figure 10.

LVDS18/19 PROPAGATION DELAY  
TIME  
VS  
FREE-AIR TEMPERATURE

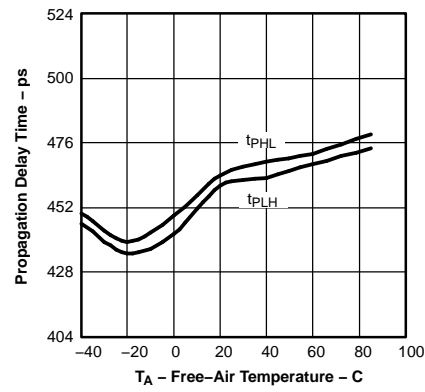


Figure 11.

PERIOD JITTER  
VS  
FREQUENCY

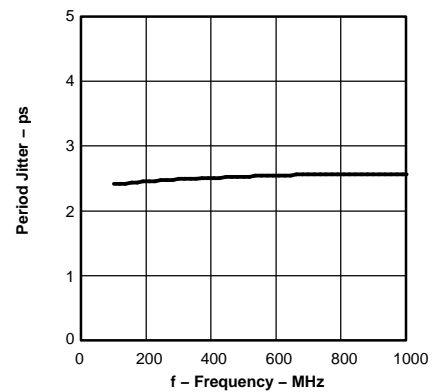


Figure 12.

CYCLE-TO-CYCLE JITTER  
VS  
FREQUENCY

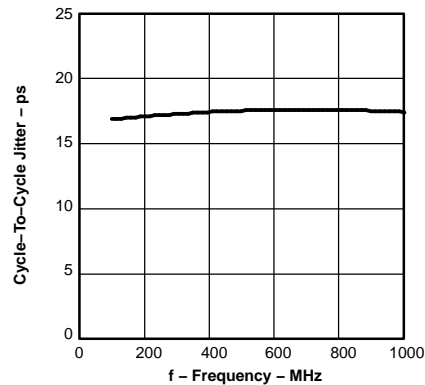
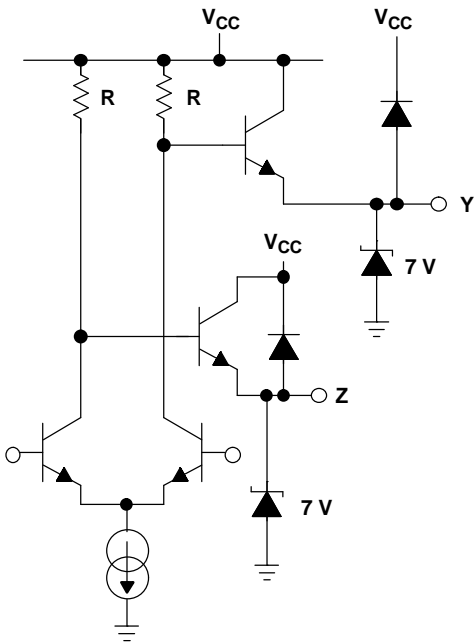


Figure 13.

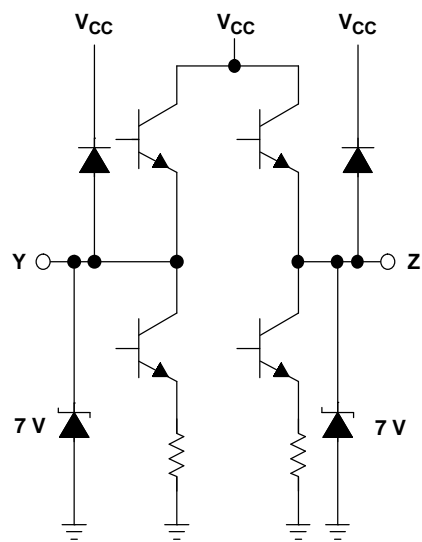


**EQUIVALENT INPUT AND OUTPUT SCHEMATIC DIAGRAMS**

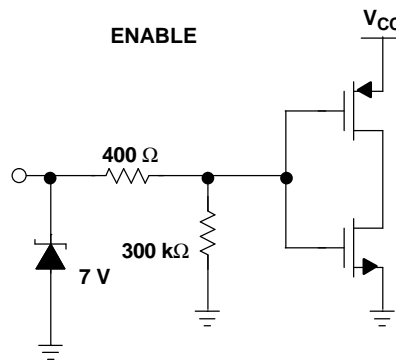
**OUTPUT LVP18/19**



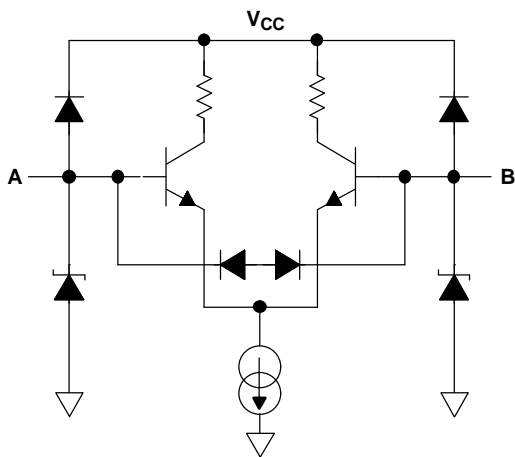
**OUTPUT LVDS18/19**



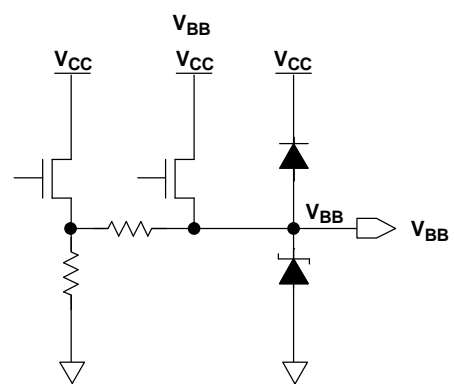
**ENABLE**



**INPUT**



**OUTPUT**



**PACKAGING INFORMATION**

| Orderable Device | Status <sup>(1)</sup> | Package Type | Package Drawing | Pins | Package Qty | Eco Plan <sup>(2)</sup> | Lead/<br>Ball Finish | MSL Peak Temp <sup>(3)</sup> | Samples<br>(Requires Login) |
|------------------|-----------------------|--------------|-----------------|------|-------------|-------------------------|----------------------|------------------------------|-----------------------------|
| SN65LVDS18DRFT   | ACTIVE                | WSON         | DRF             | 8    | 250         | Green (RoHS & no Sb/Br) | CU NIPDAU            | Level-1-260C-UNLIM           |                             |
| SN65LVDS18DRFTG4 | ACTIVE                | WSON         | DRF             | 8    | 250         | Green (RoHS & no Sb/Br) | CU NIPDAU            | Level-1-260C-UNLIM           |                             |
| SN65LVDS19DRFT   | ACTIVE                | WSON         | DRF             | 8    | 250         | Green (RoHS & no Sb/Br) | CU NIPDAU            | Level-1-260C-UNLIM           |                             |
| SN65LVDS19DRFTG4 | ACTIVE                | WSON         | DRF             | 8    | 250         | Green (RoHS & no Sb/Br) | CU NIPDAU            | Level-1-260C-UNLIM           |                             |
| SN65LVP18DRFR    | ACTIVE                | WSON         | DRF             | 8    | 3000        | Green (RoHS & no Sb/Br) | CU NIPDAU            | Level-1-260C-UNLIM           |                             |
| SN65LVP18DRFRG4  | ACTIVE                | WSON         | DRF             | 8    | 3000        | Green (RoHS & no Sb/Br) | CU NIPDAU            | Level-1-260C-UNLIM           |                             |
| SN65LVP18DRFT    | ACTIVE                | WSON         | DRF             | 8    | 250         | Green (RoHS & no Sb/Br) | CU NIPDAU            | Level-1-260C-UNLIM           |                             |
| SN65LVP18DRFTG4  | ACTIVE                | WSON         | DRF             | 8    | 250         | Green (RoHS & no Sb/Br) | CU NIPDAU            | Level-1-260C-UNLIM           |                             |
| SN65LVP19DRFT    | ACTIVE                | WSON         | DRF             | 8    | 250         | Green (RoHS & no Sb/Br) | CU NIPDAU            | Level-1-260C-UNLIM           |                             |
| SN65LVP19DRFTG4  | ACTIVE                | WSON         | DRF             | 8    | 250         | Green (RoHS & no Sb/Br) | CU NIPDAU            | Level-1-260C-UNLIM           |                             |

<sup>(1)</sup> The marketing status values are defined as follows:

**ACTIVE:** Product device recommended for new designs.

**LIFEBUY:** TI has announced that the device will be discontinued, and a lifetime-buy period is in effect.

**NRND:** Not recommended for new designs. Device is in production to support existing customers, but TI does not recommend using this part in a new design.

**PREVIEW:** Device has been announced but is not in production. Samples may or may not be available.

**OBSELETE:** TI has discontinued the production of the device.

<sup>(2)</sup> Eco Plan - The planned eco-friendly classification: Pb-Free (RoHS), Pb-Free (RoHS Exempt), or Green (RoHS & no Sb/Br) - please check <http://www.ti.com/productcontent> for the latest availability information and additional product content details.

**TBD:** The Pb-Free/Green conversion plan has not been defined.

**Pb-Free (RoHS):** TI's terms "Lead-Free" or "Pb-Free" mean semiconductor products that are compatible with the current RoHS requirements for all 6 substances, including the requirement that lead not exceed 0.1% by weight in homogeneous materials. Where designed to be soldered at high temperatures, TI Pb-Free products are suitable for use in specified lead-free processes.

**Pb-Free (RoHS Exempt):** This component has a RoHS exemption for either 1) lead-based flip-chip solder bumps used between the die and package, or 2) lead-based die adhesive used between the die and leadframe. The component is otherwise considered Pb-Free (RoHS compatible) as defined above.

---

**Green (RoHS & no Sb/Br):** TI defines "Green" to mean Pb-Free (RoHS compatible), and free of Bromine (Br) and Antimony (Sb) based flame retardants (Br or Sb do not exceed 0.1% by weight in homogeneous material)

<sup>(3)</sup> MSL, Peak Temp. -- The Moisture Sensitivity Level rating according to the JEDEC industry standard classifications, and peak solder temperature.

**Important Information and Disclaimer:** The information provided on this page represents TI's knowledge and belief as of the date that it is provided. TI bases its knowledge and belief on information provided by third parties, and makes no representation or warranty as to the accuracy of such information. Efforts are underway to better integrate information from third parties. TI has taken and continues to take reasonable steps to provide representative and accurate information but may not have conducted destructive testing or chemical analysis on incoming materials and chemicals. TI and TI suppliers consider certain information to be proprietary, and thus CAS numbers and other limited information may not be available for release.

In no event shall TI's liability arising out of such information exceed the total purchase price of the TI part(s) at issue in this document sold by TI to Customer on an annual basis.

## TAPE AND REEL INFORMATION



### QUADRANT ASSIGNMENTS FOR PIN 1 ORIENTATION IN TAPE



\*All dimensions are nominal

| Device         | Package Type | Package Drawing | Pins | SPQ  | Reel Diameter (mm) | Reel Width W1 (mm) | A0 (mm) | B0 (mm) | K0 (mm) | P1 (mm) | W (mm) | Pin1 Quadrant |
|----------------|--------------|-----------------|------|------|--------------------|--------------------|---------|---------|---------|---------|--------|---------------|
| SN65LVDS18DRFT | WSON         | DRF             | 8    | 250  | 330.0              | 8.8                | 2.3     | 2.3     | 1.0     | 4.0     | 8.0    | Q2            |
| SN65LVDS19DRFT | WSON         | DRF             | 8    | 250  | 330.0              | 8.8                | 2.3     | 2.3     | 1.0     | 4.0     | 8.0    | Q2            |
| SN65LVP18DRFR  | WSON         | DRF             | 8    | 3000 | 330.0              | 8.8                | 2.3     | 2.3     | 1.0     | 4.0     | 8.0    | Q2            |
| SN65LVP18DRFT  | WSON         | DRF             | 8    | 250  | 330.0              | 8.8                | 2.3     | 2.3     | 1.0     | 4.0     | 8.0    | Q2            |
| SN65LVP19DRFT  | WSON         | DRF             | 8    | 250  | 330.0              | 8.8                | 2.3     | 2.3     | 1.0     | 4.0     | 8.0    | Q2            |

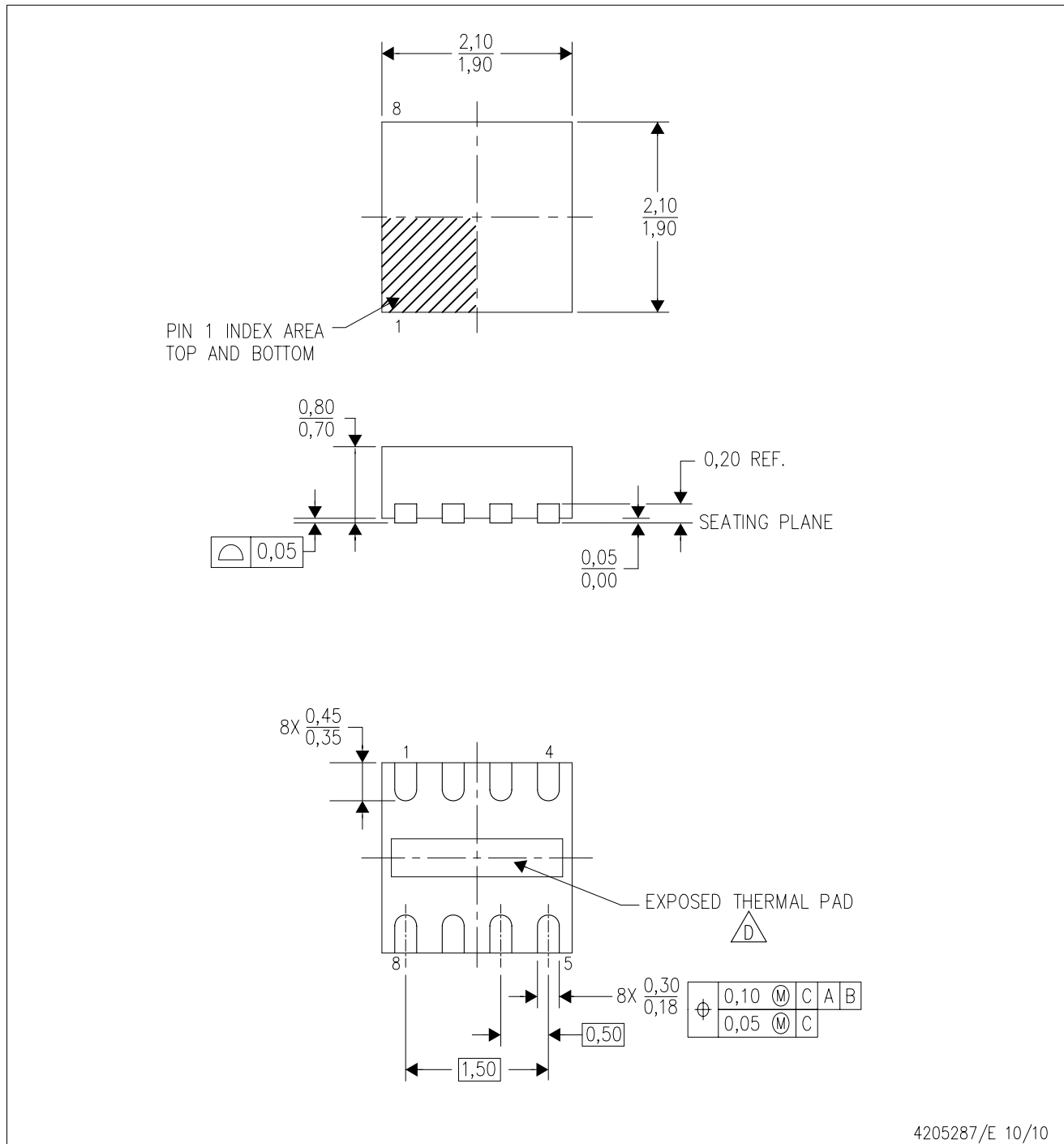
**TAPE AND REEL BOX DIMENSIONS**



\*All dimensions are nominal

| Device         | Package Type | Package Drawing | Pins | SPQ  | Length (mm) | Width (mm) | Height (mm) |
|----------------|--------------|-----------------|------|------|-------------|------------|-------------|
| SN65LVDS18DRFT | WSON         | DRF             | 8    | 250  | 337.0       | 343.0      | 29.0        |
| SN65LVDS19DRFT | WSON         | DRF             | 8    | 250  | 337.0       | 343.0      | 29.0        |
| SN65LVP18DRFR  | WSON         | DRF             | 8    | 3000 | 337.0       | 343.0      | 29.0        |
| SN65LVP18DRFT  | WSON         | DRF             | 8    | 250  | 337.0       | 343.0      | 29.0        |
| SN65LVP19DRFT  | WSON         | DRF             | 8    | 250  | 337.0       | 343.0      | 29.0        |

DRF (S-PWSON-N8)

PLASTIC SMALL OUTLINE NO-LEAD



- NOTES:
- A. All linear dimensions are in millimeters. Dimensioning and tolerancing per ASME Y14.5M-1994.
  - B. This drawing is subject to change without notice.
  - C. Quad Flatpack, No-Leads (QFN) package configuration.
  -  D. The Package thermal pad must be soldered to the board for thermal and mechanical performance. See product data sheet for details regarding the exposed thermal pad dimensions.
  - E. Falls within JEDEC MO-229.

## THERMAL PAD MECHANICAL DATA

DRF (S-PWSON-N8)

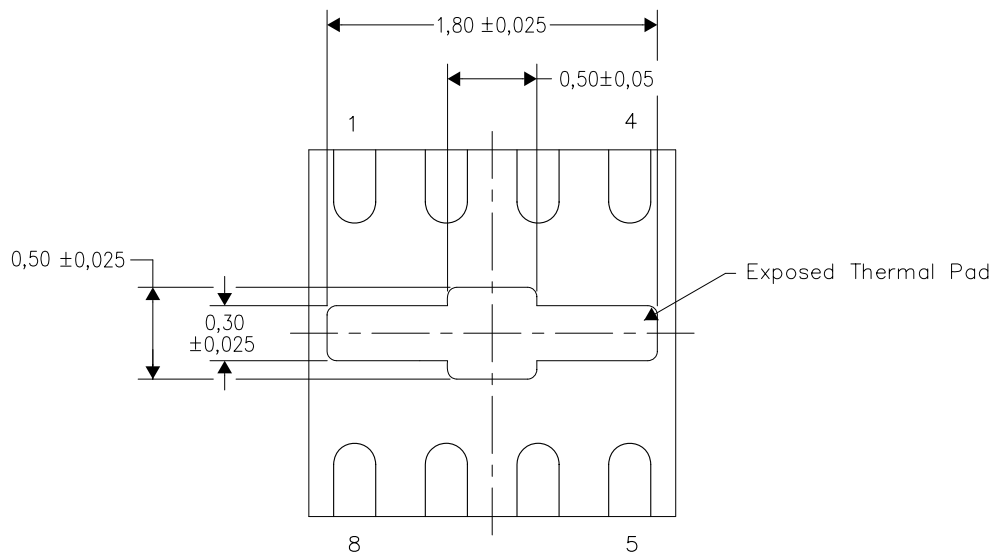
PLASTIC SMALL OUTLINE NO-LEAD

### THERMAL INFORMATION

This package incorporates an exposed thermal pad that is designed to be attached directly to an external heatsink. The thermal pad must be soldered directly to the printed circuit board (PCB). After soldering, the PCB can be used as a heatsink. In addition, through the use of thermal vias, the thermal pad can be attached directly to the appropriate copper plane shown in the electrical schematic for the device, or alternatively, can be attached to a special heatsink structure designed into the PCB. This design optimizes the heat transfer from the integrated circuit (IC).

For information on the Quad Flatpack No-Lead (QFN) package and its advantages, refer to Application Report, QFN/SOIC PCB Attachment, Texas Instruments Literature No. SLUA271. This document is available at [www.ti.com](http://www.ti.com).

The exposed thermal pad dimensions for this package are shown in the following illustration.



Bottom View

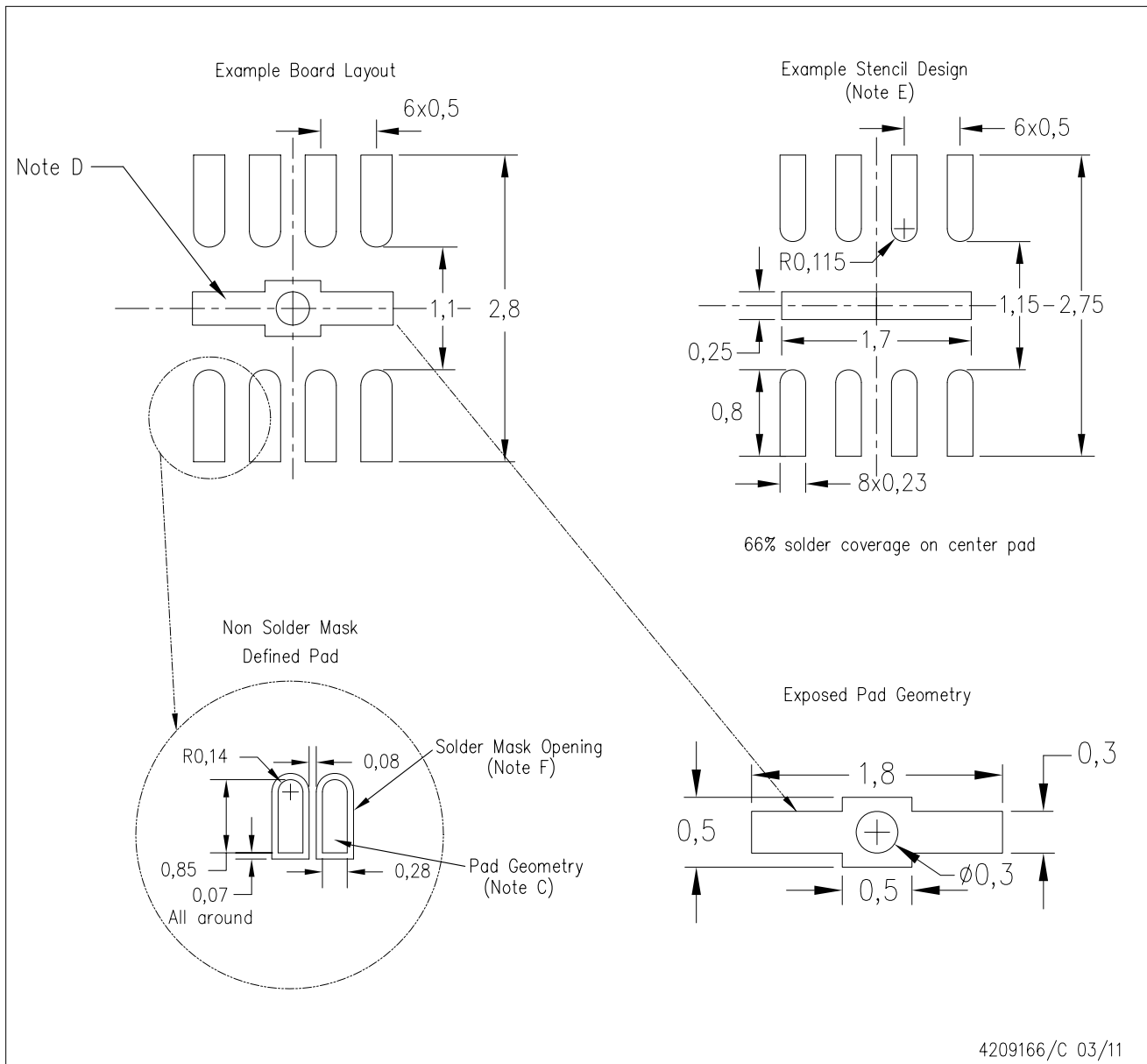
Exposed Thermal Pad Dimensions

4206840/G 04/11

NOTE: A. All linear dimensions are in millimeters

DRF (S-PWSON-N8)

PLASTIC SMALL OUTLINE NO-LEAD



- NOTES:
- All linear dimensions are in millimeters.
  - This drawing is subject to change without notice.
  - Publication IPC-7351 is recommended for alternate designs.
  - This package is designed to be soldered to a thermal pad on the board. Refer to Application Note, Quad Flat-Pack Packages, Texas Instruments Literature No. SLUA271, and also the Product Data Sheets for specific thermal information, via requirements, and recommended board layout. These documents are available at [www.ti.com](http://www.ti.com) <<http://www.ti.com>>.
  - Laser cutting apertures with trapezoidal walls and also rounding corners will offer better paste release. Customers should contact their board assembly site for stencil design recommendations. Refer to IPC 7525 for stencil design considerations.
  - Customers should contact their board fabrication site for minimum solder mask web tolerances between signal pads.



## IMPORTANT NOTICE

Texas Instruments Incorporated and its subsidiaries (TI) reserve the right to make corrections, modifications, enhancements, improvements, and other changes to its products and services at any time and to discontinue any product or service without notice. Customers should obtain the latest relevant information before placing orders and should verify that such information is current and complete. All products are sold subject to TI's terms and conditions of sale supplied at the time of order acknowledgment.

TI warrants performance of its hardware products to the specifications applicable at the time of sale in accordance with TI's standard warranty. Testing and other quality control techniques are used to the extent TI deems necessary to support this warranty. Except where mandated by government requirements, testing of all parameters of each product is not necessarily performed.

TI assumes no liability for applications assistance or customer product design. Customers are responsible for their products and applications using TI components. To minimize the risks associated with customer products and applications, customers should provide adequate design and operating safeguards.

TI does not warrant or represent that any license, either express or implied, is granted under any TI patent right, copyright, mask work right, or other TI intellectual property right relating to any combination, machine, or process in which TI products or services are used. Information published by TI regarding third-party products or services does not constitute a license from TI to use such products or services or a warranty or endorsement thereof. Use of such information may require a license from a third party under the patents or other intellectual property of the third party, or a license from TI under the patents or other intellectual property of TI.

Reproduction of TI information in TI data books or data sheets is permissible only if reproduction is without alteration and is accompanied by all associated warranties, conditions, limitations, and notices. Reproduction of this information with alteration is an unfair and deceptive business practice. TI is not responsible or liable for such altered documentation. Information of third parties may be subject to additional restrictions.

Resale of TI products or services with statements different from or beyond the parameters stated by TI for that product or service voids all express and any implied warranties for the associated TI product or service and is an unfair and deceptive business practice. TI is not responsible or liable for any such statements.

TI products are not authorized for use in safety-critical applications (such as life support) where a failure of the TI product would reasonably be expected to cause severe personal injury or death, unless officers of the parties have executed an agreement specifically governing such use. Buyers represent that they have all necessary expertise in the safety and regulatory ramifications of their applications, and acknowledge and agree that they are solely responsible for all legal, regulatory and safety-related requirements concerning their products and any use of TI products in such safety-critical applications, notwithstanding any applications-related information or support that may be provided by TI. Further, Buyers must fully indemnify TI and its representatives against any damages arising out of the use of TI products in such safety-critical applications.

TI products are neither designed nor intended for use in military/aerospace applications or environments unless the TI products are specifically designated by TI as military-grade or "enhanced plastic." Only products designated by TI as military-grade meet military specifications. Buyers acknowledge and agree that any such use of TI products which TI has not designated as military-grade is solely at the Buyer's risk, and that they are solely responsible for compliance with all legal and regulatory requirements in connection with such use.

TI products are neither designed nor intended for use in automotive applications or environments unless the specific TI products are designated by TI as compliant with ISO/TS 16949 requirements. Buyers acknowledge and agree that, if they use any non-designated products in automotive applications, TI will not be responsible for any failure to meet such requirements.

Following are URLs where you can obtain information on other Texas Instruments products and application solutions:

### Products

|                             |                                                                    |
|-----------------------------|--------------------------------------------------------------------|
| Audio                       | <a href="http://www.ti.com/audio">www.ti.com/audio</a>             |
| Amplifiers                  | <a href="http://amplifier.ti.com">amplifier.ti.com</a>             |
| Data Converters             | <a href="http://dataconverter.ti.com">dataconverter.ti.com</a>     |
| DLP® Products               | <a href="http://www.dlp.com">www.dlp.com</a>                       |
| DSP                         | <a href="http://dsp.ti.com">dsp.ti.com</a>                         |
| Clocks and Timers           | <a href="http://www.ti.com/clocks">www.ti.com/clocks</a>           |
| Interface                   | <a href="http://interface.ti.com">interface.ti.com</a>             |
| Logic                       | <a href="http://logic.ti.com">logic.ti.com</a>                     |
| Power Mgmt                  | <a href="http://power.ti.com">power.ti.com</a>                     |
| Microcontrollers            | <a href="http://microcontroller.ti.com">microcontroller.ti.com</a> |
| RFID                        | <a href="http://www.ti-rfid.com">www.ti-rfid.com</a>               |
| RF/IF and ZigBee® Solutions | <a href="http://www.ti.com/lprf">www.ti.com/lprf</a>               |

### Applications

|                               |                                                                                          |
|-------------------------------|------------------------------------------------------------------------------------------|
| Communications and Telecom    | <a href="http://www.ti.com/communications">www.ti.com/communications</a>                 |
| Computers and Peripherals     | <a href="http://www.ti.com/computers">www.ti.com/computers</a>                           |
| Consumer Electronics          | <a href="http://www.ti.com/consumer-apps">www.ti.com/consumer-apps</a>                   |
| Energy and Lighting           | <a href="http://www.ti.com/energy">www.ti.com/energy</a>                                 |
| Industrial                    | <a href="http://www.ti.com/industrial">www.ti.com/industrial</a>                         |
| Medical                       | <a href="http://www.ti.com/medical">www.ti.com/medical</a>                               |
| Security                      | <a href="http://www.ti.com/security">www.ti.com/security</a>                             |
| Space, Avionics and Defense   | <a href="http://www.ti.com/space-avionics-defense">www.ti.com/space-avionics-defense</a> |
| Transportation and Automotive | <a href="http://www.ti.com/automotive">www.ti.com/automotive</a>                         |
| Video and Imaging             | <a href="http://www.ti.com/video">www.ti.com/video</a>                                   |
| Wireless                      | <a href="http://www.ti.com/wireless-apps">www.ti.com/wireless-apps</a>                   |

TI E2E Community Home Page

[e2e.ti.com](http://e2e.ti.com)

Mailing Address: Texas Instruments, Post Office Box 655303, Dallas, Texas 75265  
Copyright © 2011, Texas Instruments Incorporated