

SN65LBC176A-EP DIFFERENTIAL BUS TRANSCEIVER

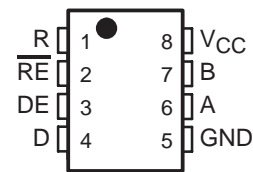
SGLS151C – DECEMBER 2002 – REVISED JULY 2004

- **Controlled Baseline**
 - One Assembly/Test Site, One Fabrication Site
- **Extended Temperature Performance of -40°C to 125°C and -55°C to 125°C**
- **Enhanced Diminishing Manufacturing Sources (DMS) Support**
- **Enhanced Product Change Notification**
- **Qualification Pedigree†**
- **High-Speed Low-Power LinBiCMOS™ Circuitry Designed for Signaling Rates‡ Up to 30 Mbps**
- **Bus-Pin ESD Protection Exceeds 12-kV HBM**
- **Compatible With ANSI Standard TIA/EIA-485-A and ISO 8482:1987(E)**
- **Low Skew**
- **Designed for Multipoint Transmission on Long Bus Lines in Noisy Environments**
- **Low Disabled Supply Current Requirements . . . 700 μA Maximum**
- **Common-Mode Voltage Range of -7 V to 12 V**
- **Thermal-Shutdown Protection**
- **Driver Positive and Negative Current Limiting**
- **Open-Circuit Fail-Safe Receiver Design**
- **Receiver Input Sensitivity . . . $\pm 200\text{ mV}$ Max**
- **Receiver Input Hysteresis . . . 50 mV Typ**
- **Glitch-Free Power-Up and Power-Down Protection**

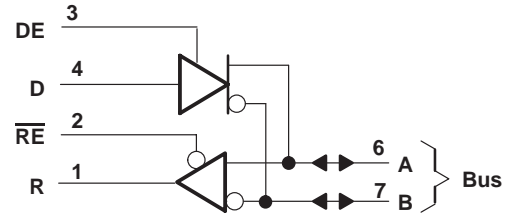
† Component qualification in accordance with JEDEC and industry standards to ensure reliable operation over an extended temperature range. This includes, but is not limited to, Highly Accelerated Stress Test (HAST) or biased 85/85, temperature cycle, autoclave or unbiased HAST, electromigration, bond intermetallic life, and mold compound life. Such qualification testing should not be viewed as justifying use of this component beyond specified performance and environmental limits.

‡ Signaling rate by TIA/EIA-485-A definition restrict transition times to 30% of the bit length, and much higher signaling rates may be achieved without this requirement as displayed in the *TYPICAL CHARACTERISTICS* of this device.

D Package
(TOP VIEW)



logic diagram (positive logic)



Function Tables

DRIVER

INPUT D	ENABLE DE	OUTPUTS	
		A	B
H	H	H	L
L	H	L	H
X	L	Z	Z
Open	H	H	L

RECEIVER

DIFFERENTIAL INPUTS $V_A - V_B$	ENABLE $\overline{\text{RE}}$	OUTPUT R
$V_{ID} \geq 0.2\text{ V}$	L	H
$-0.2\text{ V} < V_{ID} < 0.2\text{ V}$	L	?
$V_{ID} \leq -0.2\text{ V}$	L	L
X	H	Z
Open	L	H

H = high level, L = low level, ? = indeterminate,
X = irrelevant, Z = high impedance (off)



Please be aware that an important notice concerning availability, standard warranty, and use in critical applications of Texas Instruments semiconductor products and disclaimers thereto appears at the end of this data sheet.

LinBiCMOS and LinASIC are trademarks of Texas Instruments.

PRODUCTION DATA information is current as of publication date. Products conform to specifications per the terms of Texas Instruments standard warranty. Production processing does not necessarily include testing of all parameters.



POST OFFICE BOX 655303 • DALLAS, TEXAS 75265

Copyright © 2004, Texas Instruments Incorporated

SN65LBC176A-EP DIFFERENTIAL BUS TRANSCEIVER

SGLS151C – DECEMBER 2002 – REVISED JULY 2004

description/ordering information

The SN65LBC176A-EP differential bus transceiver is a monolithic, integrated circuits designed for bidirectional data communication on multipoint bus-transmission lines. The SN65LBC176A-EP is designed for balanced transmission lines and is compatible with ANSI standard TIA/EIA-485-A and ISO 8482. The SN65LBC176A-EP offers improved switching performance over its predecessors without sacrificing significantly more power.

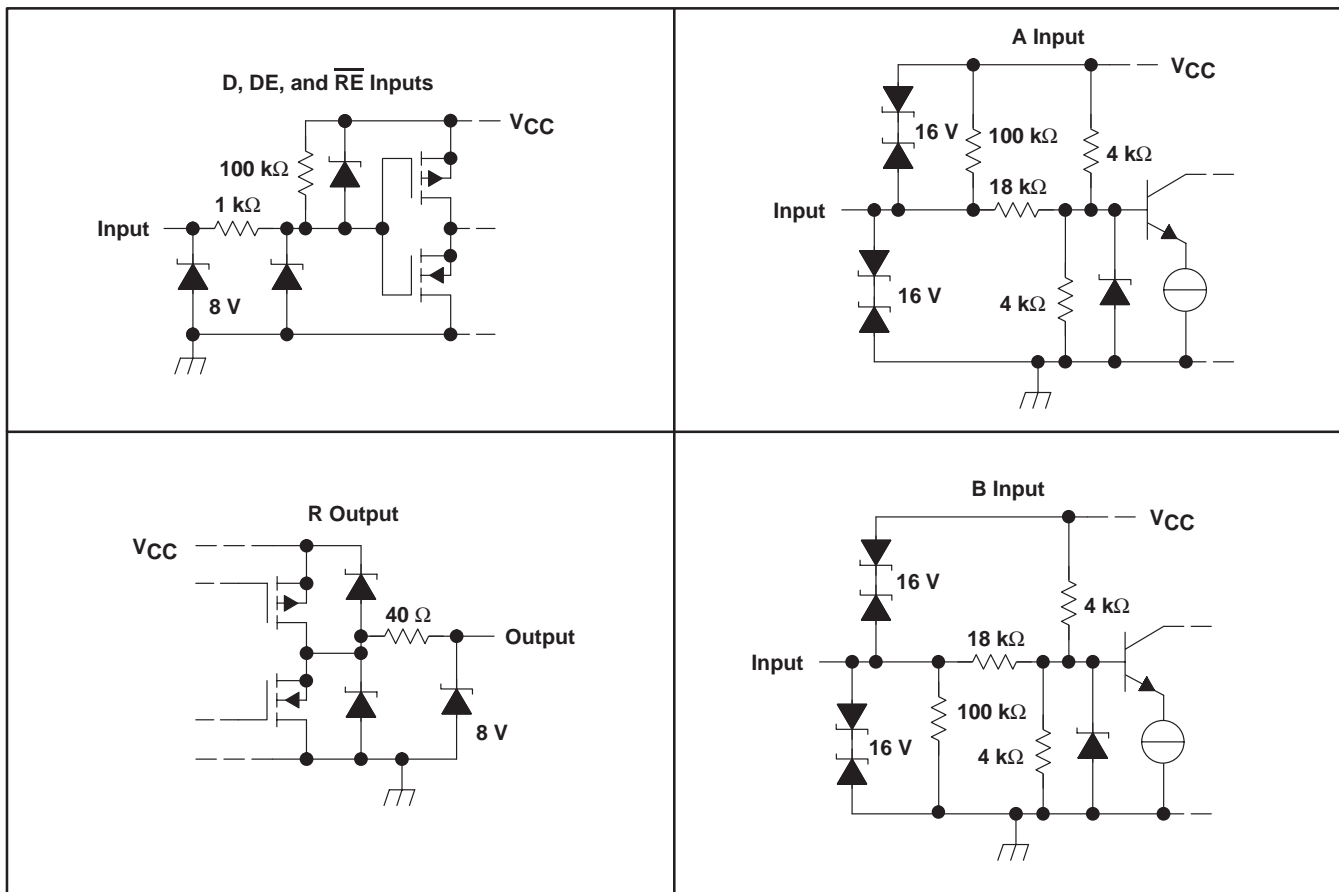
The SN65LBC176A-EP combines a 3-state, differential line driver and a differential input line receiver, both of which operate from a single 5-V power supply. The driver and receiver have active-high and active-low enables, respectively, which can externally connect together to function as a direction control. The driver differential outputs and the receiver differential inputs connect internally to form a differential input/output (I/O) bus port that is designed to offer minimum loading to the bus whenever the driver is disabled or $V_{CC} = 0$. This port features wide positive and negative common-mode voltage ranges, making the device suitable for party-line applications. Low device supply current can be achieved by disabling the driver and the receiver.

ORDERING INFORMATION

TA	PACKAGE†		ORDERABLE PART NUMBER	TOP-SIDE MARKING
-40°C to 125°C	SOIC – D	Tape and Reel	SN65LBC176AQDREP	176AEP
-55°C to 125°C	SOIC – D	Tape and Reel	SN65LBC176AMDREP	176MEP

† Package drawings, standard packing quantities, thermal data, symbolization, and PCB design guidelines are available at www.ti.com/sc/package.

schematics of inputs and outputs



absolute maximum ratings†

Supply voltage, V_{CC} (see Note 1)	–0.3 V to 6 V
Voltage range at any bus terminal (A or B)	–10 V to 15 V
Input voltage, V_I (D, DE, R, or \overline{RE})	–0.3 V to $V_{CC} + 0.5$ V
Electrostatic discharge: Bus terminals and GND, Class 3, A: (see Note 2)	12 kV
Bus terminals and GND, Class 3, B: (see Note 2)	400 V
All terminals, Class 3, A:	4 kV
All terminals, Class 3, B:	400 V
Continuous total power dissipation (see Note 3)	See Dissipation Rating Table
Storage temperature range, T_{stg} (see Note 4)	–65°C to 150°C
Lead temperature 1,6 mm (1/16 inch) from case for 10 seconds	260°C

† Stresses beyond those listed under “absolute maximum ratings” may cause permanent damage to the device. These are stress ratings only, and functional operation of the device at these or any other conditions beyond those indicated under “recommended operating conditions” is not implied. Exposure to absolute-maximum-rated conditions for extended periods may affect device reliability.

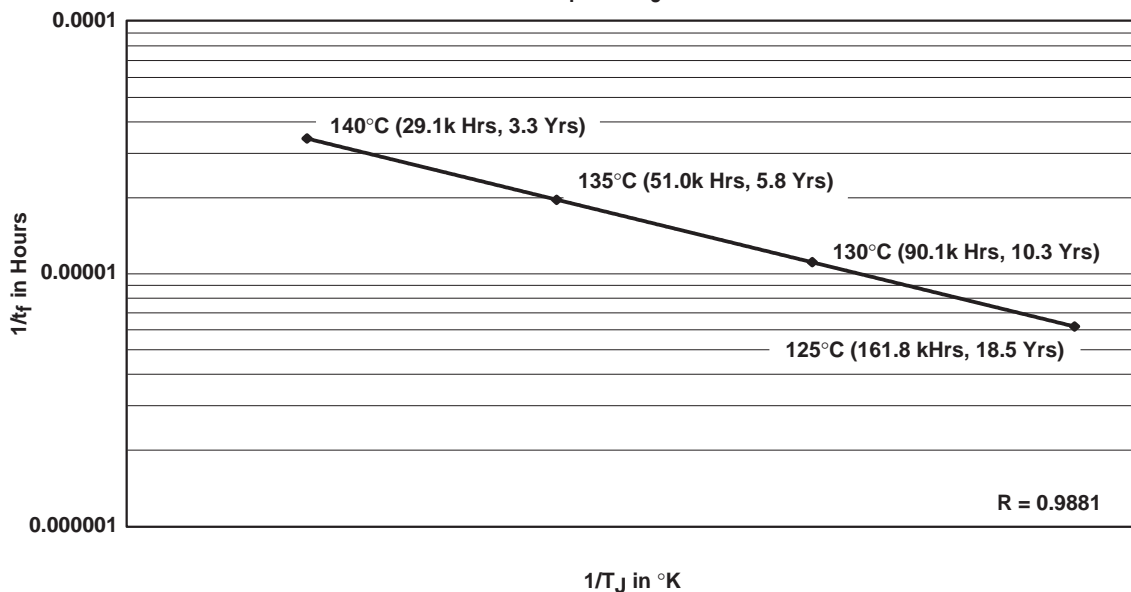
- NOTES:
1. All voltage values, except differential I/O bus voltage, are with respect to network ground terminal.
 2. The maximum operating junction temperature is internally limited. Use the dissipation rating table to operate below this temperature.
 3. Tested in accordance with MIL-STD-883C, Method 3015.7
 4. Long-term, high-temperature storage and/or extended use at maximum recommended operating conditions may result in a reduction of overall device life. See http://www.ti.com/ep_quality for additional information on enhanced plastic packaging.

DISSIPATION RATING TABLE

PACKAGE	$T_A \leq 25^\circ\text{C}$ POWER RATING	DERATING FACTOR‡ ABOVE $T_A = 25^\circ\text{C}$	$T_A = 70^\circ\text{C}$ POWER RATING	$T_A = 85^\circ\text{C}$ POWER RATING	$T_A = 125^\circ\text{C}$ POWER RATING
D	725 mW	5.8 mW/°C	464 mW	377 mW	145 mW

‡ This is the inverse of the junction-to-ambient thermal resistance when the board is mounted and with no air flow.

OPERATING LIFE DERATING TABLE – SN65LBC176AMDREP
 $1/t_f$ vs $1/T_J$ in °K



- NOTES:
- A. See the data sheet for absolute maximum and maximum recommended operating conditions.
 - B. Silicon operating life design goal is 10 years at 105°C junction temperature (does not include package interconnect life).
 - C. Attached enhanced plastic product disclaimer applies.

SN65LBC176A-EP DIFFERENTIAL BUS TRANSCEIVER

SGLS151C – DECEMBER 2002 – REVISED JULY 2004

recommended operating conditions

		MIN	NOM	MAX	UNIT
Supply voltage, V_{CC}		4.75	5	5.25	V
Voltage at any bus terminal (separately or common mode), V_I or V_{IC}				12	V
		-7			
High-level input voltage, V_{IH} (output recessive)	D, DE, and \overline{RE}	2		V_{CC}	V
Low-level input voltage, V_{IL} (output dominant)	D, DE, and \overline{RE}	0		0.8	V
Differential input voltage, V_{ID} (see Note 5)		-12 [§]		12	V
High-level output current, I_{OH}	Driver	-60			mA
	Receiver	-8			
Low-level output current, I_{OL}	Driver			60	mA
	Receiver			8	
Operating free-air temperature, T_A	SN65LBC176AQ-EP	-40		125	°C
	SN65LBC176AM-EP	-55		125	

[§] The algebraic convention, in which the least positive (most negative) limit is designated as minimum, is used in this data sheet.

NOTE 5: Differential input/output bus voltage is measured at the noninverting terminal A with respect to the inverting terminal B.

driver electrical characteristics over recommended operating conditions (unless otherwise noted)

PARAMETER	TEST CONDITIONS	MIN	TYP [†]	MAX	UNIT	
V_{IK}	Input clamp voltage $I_I = -18$ mA	-1.5	-0.8		V	
$ V_{OD} $	Differential output voltage $I_O = 0$ $R_L = 54 \Omega$, See Figure 1 $V_{test} = -7$ V to 12 V, See Figure 2	1.5	4	6	V	
		0.9	1.5	6		
		0.9	1.5	6		
$\Delta V_{OD} $	Change in magnitude of differential output voltage See Figure 1 and Figure 2	-0.2		0.2	V	
$V_{OC(SS)}$	Steady-state common-mode output voltage See Figure 1	1.8	2.4	3	V	
$\Delta V_{OC(SS)}$	Change in steady-state common-mode output voltage [†] See Figure 1	-0.2		0.2	V	
I_{OZ}	High-impedance output current See receiver input currents					
I_{IH}	High-level enable input current $V_I = 2$ V	-100			μ A	
I_{IL}	Low-level enable input current $V_I = 0.8$ V	-100			μ A	
I_{OS}	Short-circuit output current -7 V $\leq V_O \leq 12$ V	-250	± 70	250	mA	
I_{CC}	Supply current $V_I = 0$ or V_{CC} , No load	Receiver disabled and driver enabled		5	9	mA
		Receiver disabled and driver disabled		0.4	0.7	
		Receiver enabled and driver enabled		8.5	15	

[†] All typical values are at $V_{CC} = 5$ V, $T_A = 25^\circ$ C.



driver switching characteristics over recommended operating conditions (unless otherwise noted)

PARAMETER		TEST CONDITIONS	MIN	TYP†	MAX	UNIT
t _{PLH}	Propagation delay time, low-to-high level output	R _L = 54 Ω, C _L = 50 pF, See Figure 3	2		12	ns
t _{PHL}	Propagation delay time, high-to-low level output		2		12	
t _{sk(p)}	Pulse skew (t _{PLH} – t _{PHL})				2	
t _r	Differential output signal rise time		1.2		11	
t _f	Differential output signal fall time		1.2		11	
t _{PZH}	Propagation delay time, high-impedance to high-level output	R _L = 110 Ω, See Figure 4			22	ns
t _{PZL}	Propagation delay time, high-impedance to low-level output	R _L = 110 Ω, See Figure 5			25	ns
t _{PHZ}	Propagation delay time, high-level to high-impedance output	R _L = 110 Ω, See Figure 4			22	ns
t _{PLZ}	Propagation delay time, low-level to high-impedance output	R _L = 110 Ω, See Figure 5			22	ns

† All typical values are at V_{CC} = 5 V, T_A = 25°C.

receiver electrical characteristics over recommended operating conditions (unless otherwise noted)

PARAMETER		TEST CONDITIONS	MIN	TYP†	MAX	UNIT
V _{IT+}	Positive-going input threshold voltage	I _O = –8 mA			0.2	V
V _{IT–}	Negative-going input threshold voltage	I _O = 8 mA	–0.2			V
V _{hys}	Hysteresis voltage (V _{IT+} – V _{IT–})		50			mV
V _{IK}	Enable-input clamp voltage	I _I = –18 mA	–1.5	–0.8		V
V _{OH}	High-level output voltage	V _{ID} = 200 mV, I _{OH} = –8 mA, See Figure 6	4	4.9		V
V _{OL}	Low-level output voltage	V _{ID} = 200 mV, I _{OL} = 8 mA, See Figure 6		0.1	0.8	V
I _{OZ}	High-impedance-state output current	V _O = 0 to V _{CC}	–10		10	μA
I _I	Bus input current	V _{IH} = 12 V, V _{CC} = 5 V	Other input at 0 V	0.4	1	mA
		V _{IH} = 12 V, V _{CC} = 0		0.5	1	
		V _{IH} = –7 V, V _{CC} = 5 V		–0.8	–0.4	
		V _{IH} = –7 V, V _{CC} = 0		–0.8	–0.3	
I _{IH}	High-level enable-input current	V _{IH} = 2 V	–100			μA
I _{IL}	Low-level enable-input current	V _{IL} = 0.8 V	–100			μA
I _{CC}	Supply current	V _I = 0 or V _{CC} , No load	Receiver enabled and driver disabled	4	7	mA
			Receiver disabled and driver disabled	0.4	0.7	
			Receiver enabled and driver enabled	8.5	15	

† All typical values are at V_{CC} = 5 V, T_A = 25°C.

SN65LBC176A-EP DIFFERENTIAL BUS TRANSCEIVER

SGLS151C – DECEMBER 2002 – REVISED JULY 2004

receiver switching characteristics over recommended operating conditions (unless otherwise noted)

PARAMETER	TEST CONDITIONS	MIN	TYP†	MAX	UNIT
t _{PLH} Propagation delay time, output↑	V _{ID} = -1.5 V to 1.5 V, See Figure 7	7		30	ns
t _{PHL} Propagation delay time, output↓		7		30	ns
t _{sk(p)} Pulse skew (t _{PHL} - t _{PLH})				6	ns
t _r Rise time, output	See Figure 7			5	ns
t _f Fall time, output				5	ns
t _{PZH} Output enable time to high level	C _L = 10 pF, See Figure 8			50	ns
t _{PZL} Output enable time to low level				50	ns
t _{PHZ} Output disable time from high level				60	ns
t _{PLZ} Output disable time from low level				40	ns

† All typical values are at V_{CC} = 5 V, T_A = 25°C.



PARAMETER MEASUREMENT INFORMATION

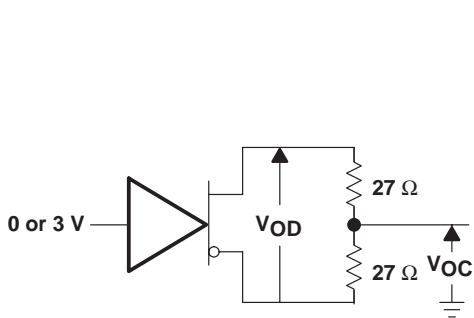


Figure 1. Driver V_{OD} and V_{OC}

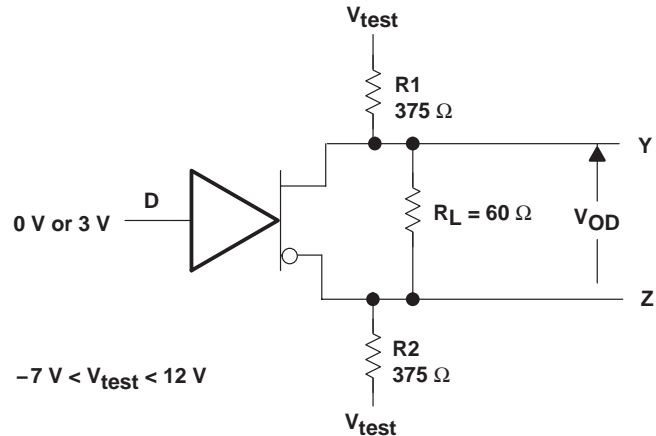
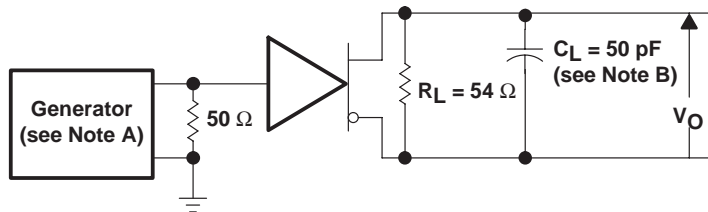
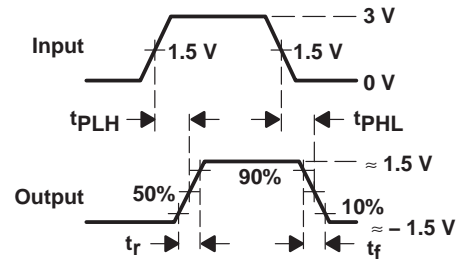


Figure 2. Driver V_{OD3}



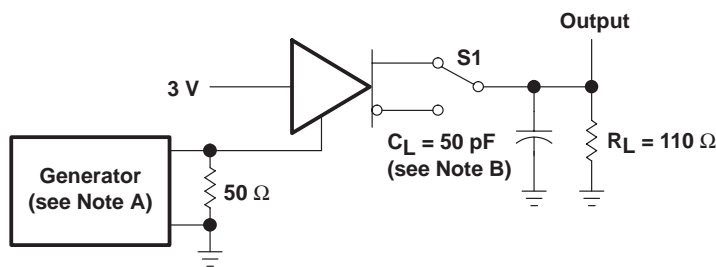
TEST CIRCUIT



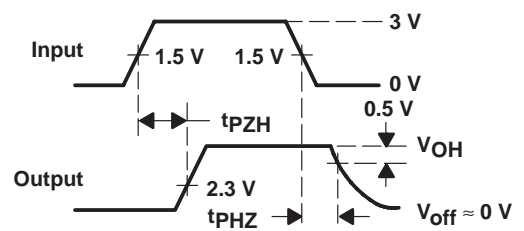
VOLTAGE WAVEFORMS

- NOTES: D. The input pulse is supplied by a generator having the following characteristics: $PRR \leq 1$ MHz, 50% duty cycle, $t_r \leq 6$ ns, $t_f \leq 6$ ns, $Z_O = 50 \Omega$.
E. C_L includes probe and jig capacitance.

Figure 3. Driver Test Circuit and Voltage Waveforms



TEST CIRCUIT



VOLTAGE WAVEFORMS

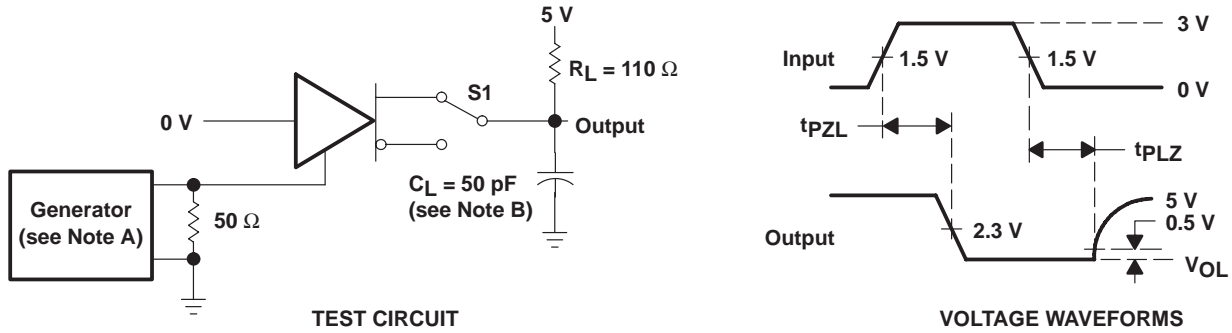
- NOTES: A. The input pulse is supplied by a generator having the following characteristics: $PRR \leq 1$ MHz, 50% duty cycle, $t_r \leq 6$ ns, $t_f \leq 6$ ns, $Z_O = 50 \Omega$.
B. C_L includes probe and jig capacitance.

Figure 4. Driver Test Circuit and Voltage Waveforms

SN65LBC176A-EP DIFFERENTIAL BUS TRANSCEIVER

SGLS151C – DECEMBER 2002 – REVISED JULY 2004

PARAMETER MEASUREMENT INFORMATION



NOTES: A. The input pulse is supplied by a generator having the following characteristics: PRR \leq 1 MHz, 50% duty cycle, $t_r \leq$ 6 ns, $t_f \leq$ 6 ns, $Z_O = 50 \Omega$.
B. C_L includes probe and jig capacitance.

Figure 5. Driver Test Circuit and Voltage Waveforms

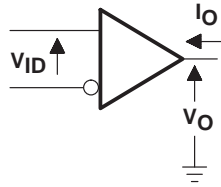
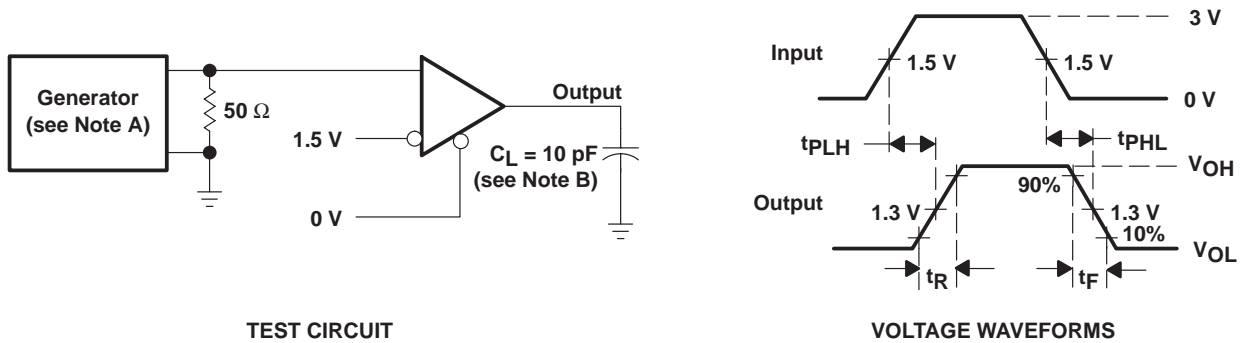


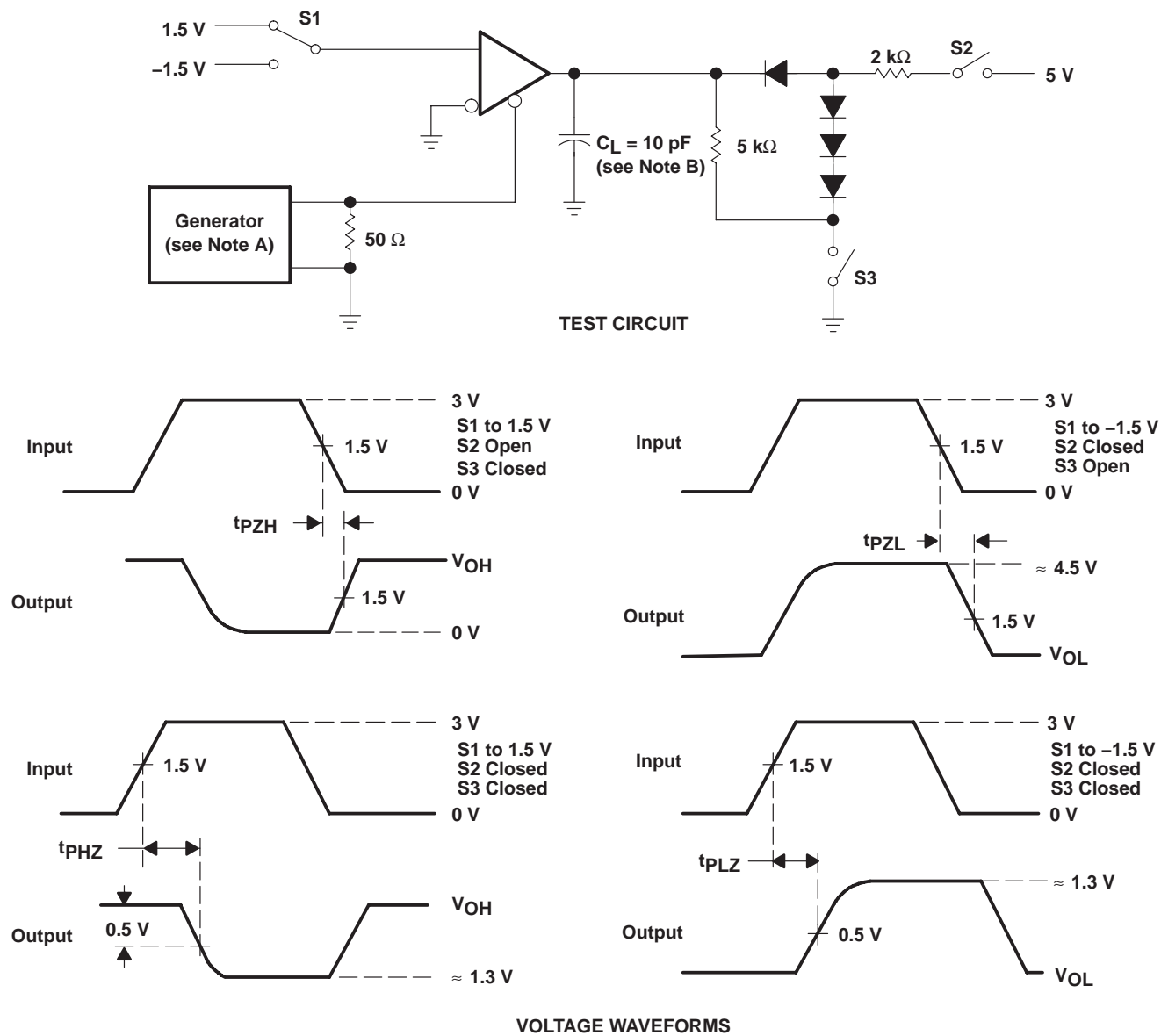
Figure 6. Receiver V_{OH} and V_{OL}



NOTES: A. The input pulse is supplied by a generator having the following characteristics: PRR \leq 1 MHz, 50% duty cycle, $t_r \leq$ 6 ns, $t_f \leq$ 6 ns, $Z_O = 50 \Omega$.
B. C_L includes probe and jig capacitance.

Figure 7. Receiver Test Circuit and Voltage Waveforms

PARAMETER MEASUREMENT INFORMATION



- NOTES: A. The input pulse is supplied by a generator having the following characteristics: PRR \leq 1 MHz, 50% duty cycle, $t_r \leq$ 6 ns, $t_f \leq$ 6 ns, $Z_0 = 50 \Omega$.
 B. C_L includes probe and jig capacitance.

Figure 8. Receiver Test Circuit and Voltage Waveforms

SN65LBC176A-EP DIFFERENTIAL BUS TRANSCEIVER

SGLS151C – DECEMBER 2002 – REVISED JULY 2004

TYPICAL CHARACTERISTICS

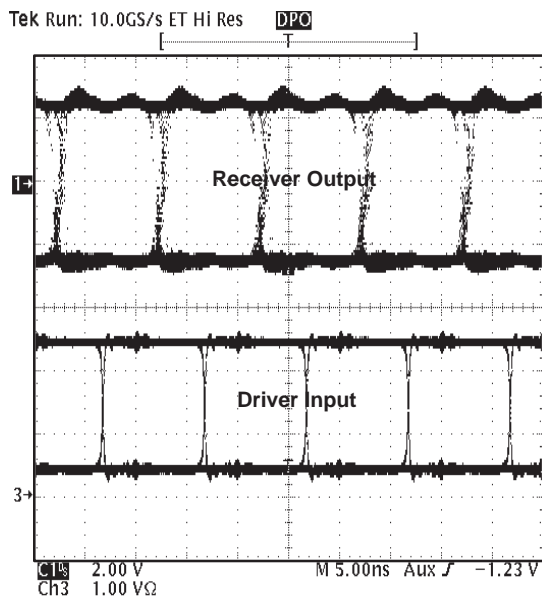


Figure 9. Typical Waveform of Non-Return-To-Zero (NRZ), Pseudorandom Binary Sequence (PRBS) Data at 100 Mbps Through 15m, of CAT 5 Unshielded Twisted Pair (UTP) Cable

TIA/EIA-485-A defines a maximum signaling rate as that in which the transition time of the voltage transition of a logic-state change remains less than or equal to 30% of the bit length. Transition times of greater length perform quite well, even though they do not meet the standard by definition.

TYPICAL CHARACTERISTICS

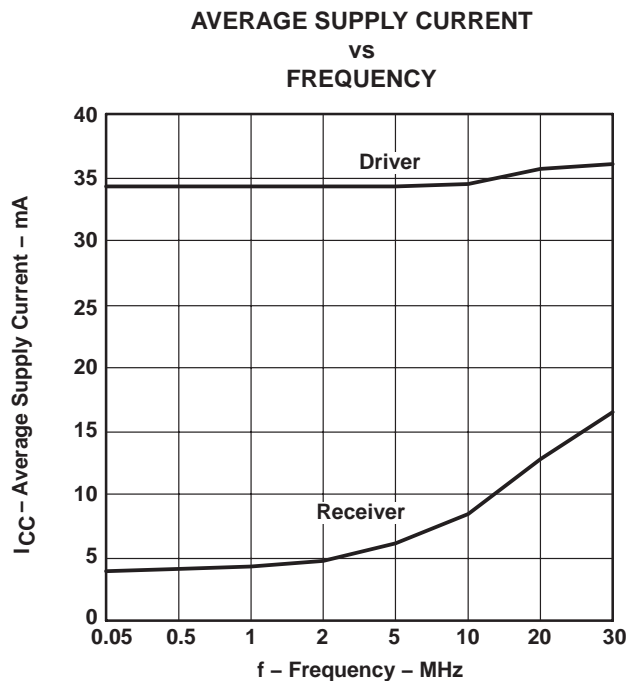


Figure 10

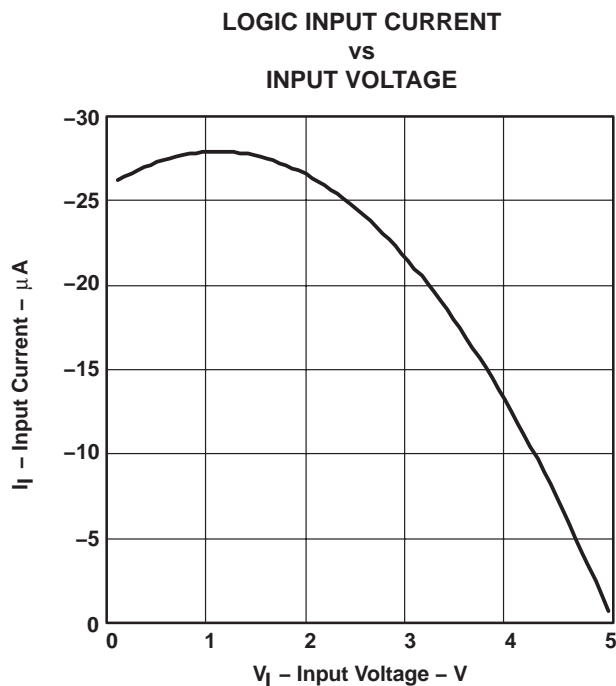


Figure 11

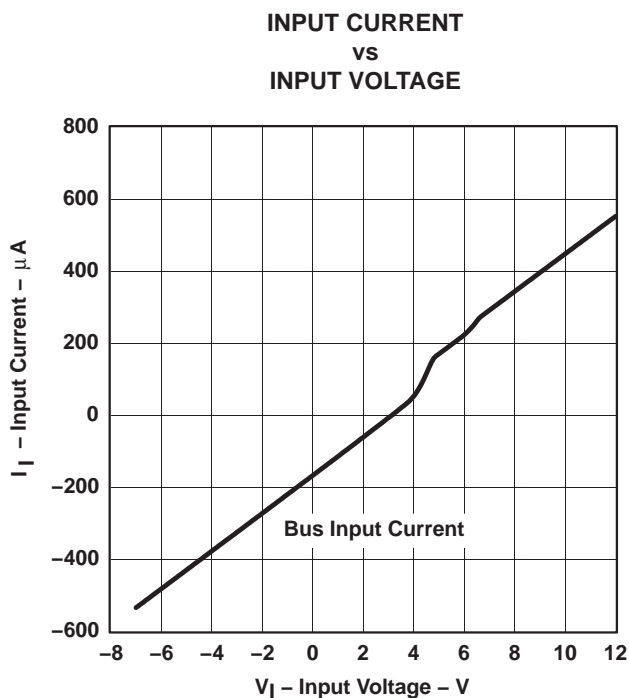


Figure 12

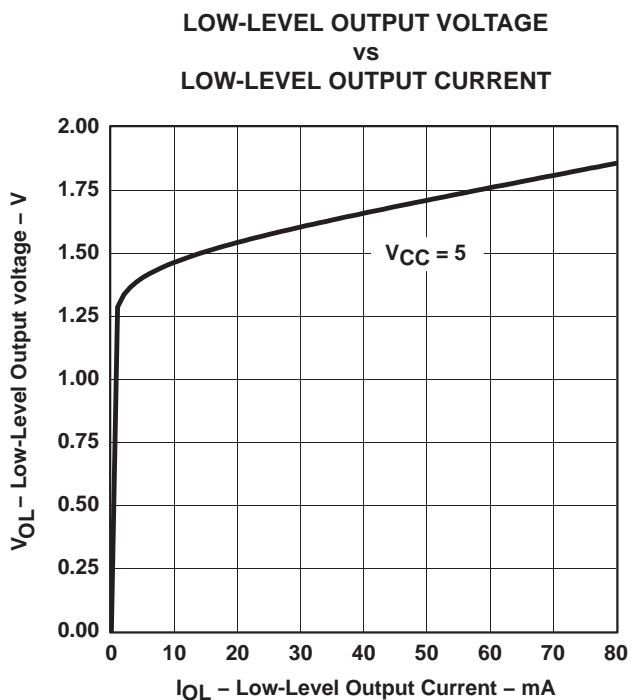


Figure 13

SN65LBC176A-EP DIFFERENTIAL BUS TRANSCEIVER

SGLS151C – DECEMBER 2002 – REVISED JULY 2004

TYPICAL CHARACTERISTICS

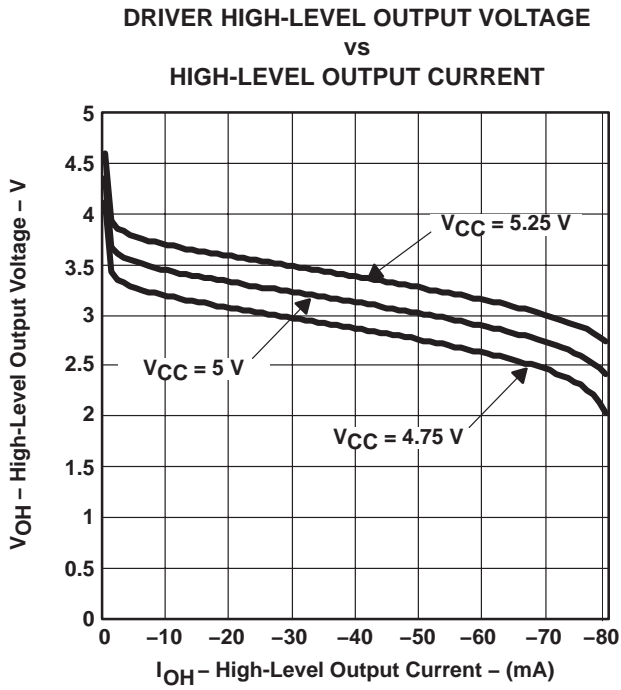


Figure 14

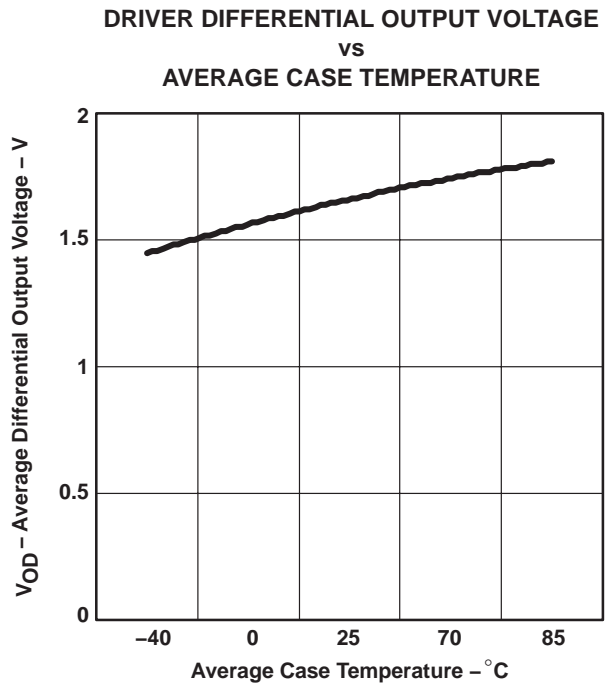


Figure 15

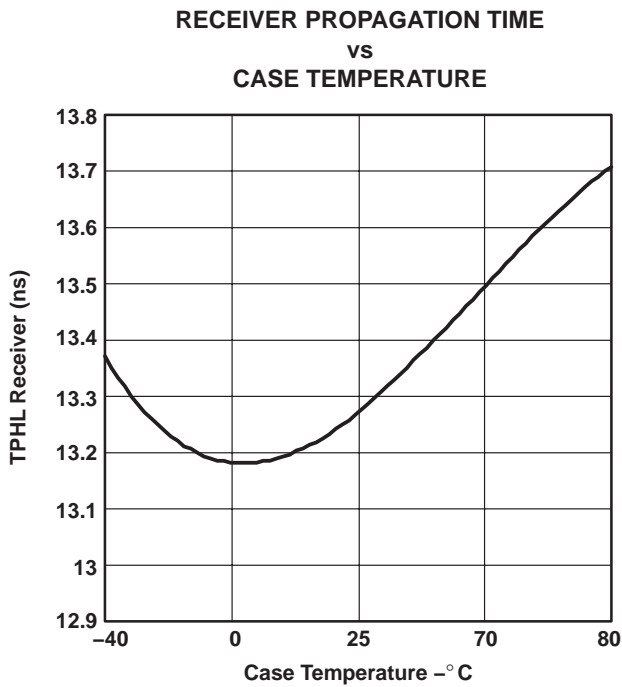


Figure 16

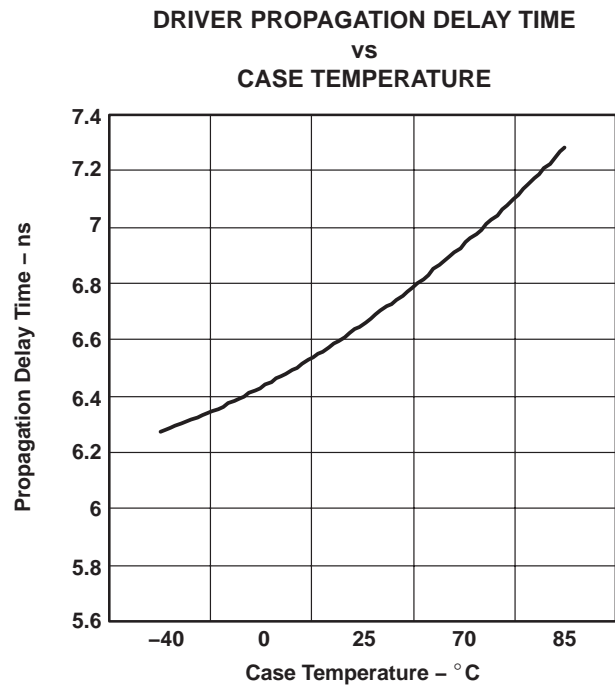


Figure 17



TYPICAL CHARACTERISTICS

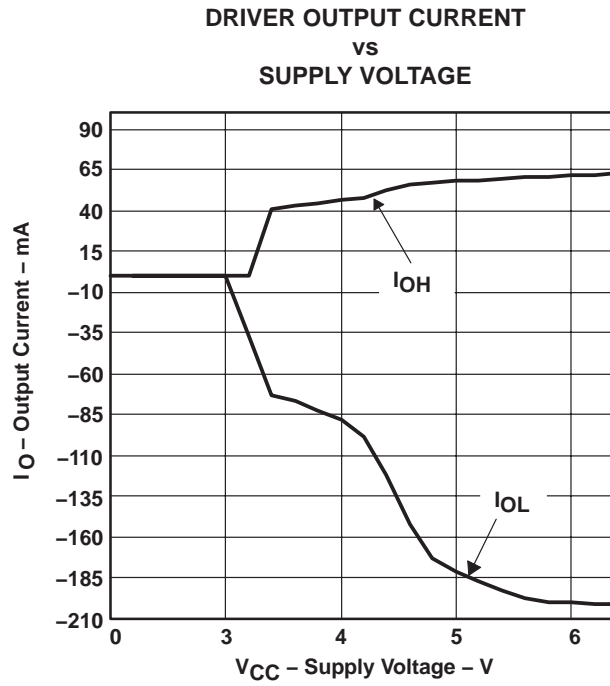


Figure 18

PACKAGING INFORMATION

Orderable Device	Status ⁽¹⁾	Package Type	Package Drawing	Pins	Package Qty	Eco Plan ⁽²⁾	Lead/Ball Finish	MSL Peak Temp ⁽³⁾
SN65LBC176AMDREP	ACTIVE	SOIC	D	8	2500	Green (RoHS & no Sb/Br)	CU NIPDAU	Level-1-260C-UNLIM
SN65LBC176AQDREP	ACTIVE	SOIC	D	8	2500	Green (RoHS & no Sb/Br)	CU NIPDAU	Level-1-260C-UNLIM
V62/03671-01XE	ACTIVE	SOIC	D	8	2500	Green (RoHS & no Sb/Br)	CU NIPDAU	Level-1-260C-UNLIM
V62/03671-02XE	ACTIVE	SOIC	D	8	2500	Green (RoHS & no Sb/Br)	CU NIPDAU	Level-1-260C-UNLIM

⁽¹⁾ The marketing status values are defined as follows:

ACTIVE: Product device recommended for new designs.

LIFEBUY: TI has announced that the device will be discontinued, and a lifetime-buy period is in effect.

NRND: Not recommended for new designs. Device is in production to support existing customers, but TI does not recommend using this part in a new design.

PREVIEW: Device has been announced but is not in production. Samples may or may not be available.

OBSOLETE: TI has discontinued the production of the device.

⁽²⁾ Eco Plan - The planned eco-friendly classification: Pb-Free (RoHS), Pb-Free (RoHS Exempt), or Green (RoHS & no Sb/Br) - please check <http://www.ti.com/productcontent> for the latest availability information and additional product content details.

TBD: The Pb-Free/Green conversion plan has not been defined.

Pb-Free (RoHS): TI's terms "Lead-Free" or "Pb-Free" mean semiconductor products that are compatible with the current RoHS requirements for all 6 substances, including the requirement that lead not exceed 0.1% by weight in homogeneous materials. Where designed to be soldered at high temperatures, TI Pb-Free products are suitable for use in specified lead-free processes.

Pb-Free (RoHS Exempt): This component has a RoHS exemption for either 1) lead-based flip-chip solder bumps used between the die and package, or 2) lead-based die adhesive used between the die and leadframe. The component is otherwise considered Pb-Free (RoHS compatible) as defined above.

Green (RoHS & no Sb/Br): TI defines "Green" to mean Pb-Free (RoHS compatible), and free of Bromine (Br) and Antimony (Sb) based flame retardants (Br or Sb do not exceed 0.1% by weight in homogeneous material)

⁽³⁾ MSL, Peak Temp. -- The Moisture Sensitivity Level rating according to the JEDEC industry standard classifications, and peak solder temperature.

Important Information and Disclaimer:The information provided on this page represents TI's knowledge and belief as of the date that it is provided. TI bases its knowledge and belief on information provided by third parties, and makes no representation or warranty as to the accuracy of such information. Efforts are underway to better integrate information from third parties. TI has taken and continues to take reasonable steps to provide representative and accurate information but may not have conducted destructive testing or chemical analysis on incoming materials and chemicals. TI and TI suppliers consider certain information to be proprietary, and thus CAS numbers and other limited information may not be available for release.

In no event shall TI's liability arising out of such information exceed the total purchase price of the TI part(s) at issue in this document sold by TI to Customer on an annual basis.

OTHER QUALIFIED VERSIONS OF SN65LBC176A-EP :

- Catalog: [SN65LBC176A](#)

NOTE: Qualified Version Definitions:

- Catalog - TI's standard catalog product

TAPE AND REEL INFORMATION



QUADRANT ASSIGNMENTS FOR PIN 1 ORIENTATION IN TAPE



*All dimensions are nominal

Device	Package Type	Package Drawing	Pins	SPQ	Reel Diameter (mm)	Reel Width W1 (mm)	A0 (mm)	B0 (mm)	K0 (mm)	P1 (mm)	W (mm)	Pin1 Quadrant
SN65LBC176AMDREP	SOIC	D	8	2500	330.0	12.4	6.4	5.2	2.1	8.0	12.0	Q1
SN65LBC176AQDREP	SOIC	D	8	2500	330.0	12.4	6.4	5.2	2.1	8.0	12.0	Q1

TAPE AND REEL BOX DIMENSIONS



*All dimensions are nominal

Device	Package Type	Package Drawing	Pins	SPQ	Length (mm)	Width (mm)	Height (mm)
SN65LBC176AMDREP	SOIC	D	8	2500	346.0	346.0	29.0
SN65LBC176AQDREP	SOIC	D	8	2500	346.0	346.0	29.0

IMPORTANT NOTICE

Texas Instruments Incorporated and its subsidiaries (TI) reserve the right to make corrections, modifications, enhancements, improvements, and other changes to its products and services at any time and to discontinue any product or service without notice. Customers should obtain the latest relevant information before placing orders and should verify that such information is current and complete. All products are sold subject to TI's terms and conditions of sale supplied at the time of order acknowledgment.

TI warrants performance of its hardware products to the specifications applicable at the time of sale in accordance with TI's standard warranty. Testing and other quality control techniques are used to the extent TI deems necessary to support this warranty. Except where mandated by government requirements, testing of all parameters of each product is not necessarily performed.

TI assumes no liability for applications assistance or customer product design. Customers are responsible for their products and applications using TI components. To minimize the risks associated with customer products and applications, customers should provide adequate design and operating safeguards.

TI does not warrant or represent that any license, either express or implied, is granted under any TI patent right, copyright, mask work right, or other TI intellectual property right relating to any combination, machine, or process in which TI products or services are used. Information published by TI regarding third-party products or services does not constitute a license from TI to use such products or services or a warranty or endorsement thereof. Use of such information may require a license from a third party under the patents or other intellectual property of the third party, or a license from TI under the patents or other intellectual property of TI.

Reproduction of TI information in TI data books or data sheets is permissible only if reproduction is without alteration and is accompanied by all associated warranties, conditions, limitations, and notices. Reproduction of this information with alteration is an unfair and deceptive business practice. TI is not responsible or liable for such altered documentation. Information of third parties may be subject to additional restrictions.

Resale of TI products or services with statements different from or beyond the parameters stated by TI for that product or service voids all express and any implied warranties for the associated TI product or service and is an unfair and deceptive business practice. TI is not responsible or liable for any such statements.

TI products are not authorized for use in safety-critical applications (such as life support) where a failure of the TI product would reasonably be expected to cause severe personal injury or death, unless officers of the parties have executed an agreement specifically governing such use. Buyers represent that they have all necessary expertise in the safety and regulatory ramifications of their applications, and acknowledge and agree that they are solely responsible for all legal, regulatory and safety-related requirements concerning their products and any use of TI products in such safety-critical applications, notwithstanding any applications-related information or support that may be provided by TI. Further, Buyers must fully indemnify TI and its representatives against any damages arising out of the use of TI products in such safety-critical applications.

TI products are neither designed nor intended for use in military/aerospace applications or environments unless the TI products are specifically designated by TI as military-grade or "enhanced plastic." Only products designated by TI as military-grade meet military specifications. Buyers acknowledge and agree that any such use of TI products which TI has not designated as military-grade is solely at the Buyer's risk, and that they are solely responsible for compliance with all legal and regulatory requirements in connection with such use.

TI products are neither designed nor intended for use in automotive applications or environments unless the specific TI products are designated by TI as compliant with ISO/TS 16949 requirements. Buyers acknowledge and agree that, if they use any non-designated products in automotive applications, TI will not be responsible for any failure to meet such requirements.

Following are URLs where you can obtain information on other Texas Instruments products and application solutions:

Products

Amplifiers	amplifier.ti.com
Data Converters	dataconverter.ti.com
DSP	dsp.ti.com
Clocks and Timers	www.ti.com/clocks
Interface	interface.ti.com
Logic	logic.ti.com
Power Mgmt	power.ti.com
Microcontrollers	microcontroller.ti.com
RFID	www.ti-rfid.com
RF/IF and ZigBee® Solutions	www.ti.com/lprf

Applications

Audio	www.ti.com/audio
Automotive	www.ti.com/automotive
Broadband	www.ti.com/broadband
Digital Control	www.ti.com/digitalcontrol
Medical	www.ti.com/medical
Military	www.ti.com/military
Optical Networking	www.ti.com/opticalnetwork
Security	www.ti.com/security
Telephony	www.ti.com/telephony
Video & Imaging	www.ti.com/video
Wireless	www.ti.com/wireless

Mailing Address: Texas Instruments, Post Office Box 655303, Dallas, Texas 75265
Copyright © 2008, Texas Instruments Incorporated