

# SN54HC354, SN74HC354 8-LINE TO 1-LINE DATA SELECTORS/MULTIPLEXERS/ TRANSPARENT REGISTERS WITH 3-STATE OUTPUTS

D2684, DECEMBER 1982—REVISED SEPTEMBER 1987

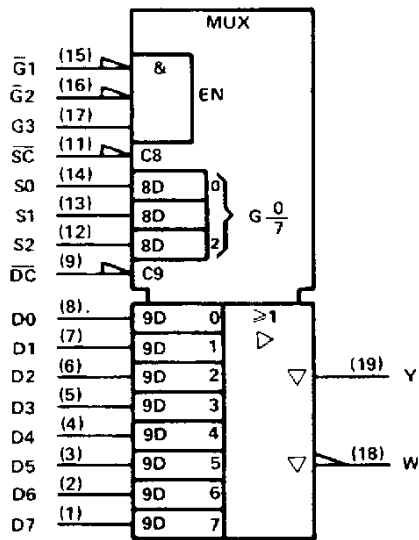
- Transparent Latches on Data Select Inputs
- Transparent Data Registers
- High-Current 3-State Outputs Can Drive Up to 15 LSTTL Loads
- Complementary Outputs
- Package Options: Plastic and Ceramic DIPs, Plastic Small-Outline Packages, and Ceramic Chip Carriers
- Dependable Texas Instruments Quality and Reliability

**description**

These monolithic data selectors/multiplexers contain full on-chip binary decoding to select one of eight data sources. The data-select is stored in transparent latches that are enabled by a low level on pin 11,  $\overline{SC}$ . A similar enable for data is obtained by a low level on pin 8,  $\overline{DC}$ .

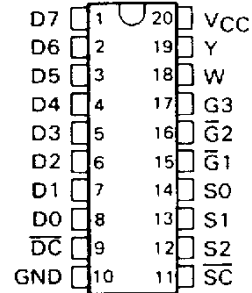
The SN54HC354 is characterized for operation over the full military temperature range of  $-55^{\circ}\text{C}$  to  $125^{\circ}\text{C}$ . The SN74HC354 is characterized for operation from  $-40^{\circ}\text{C}$  to  $85^{\circ}\text{C}$ .

**logic symbol†**

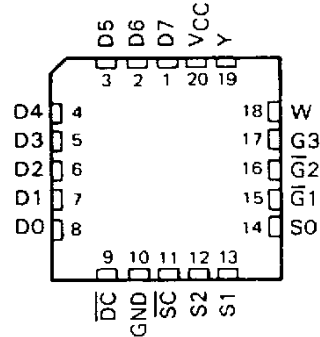


† This symbol is in accordance with ANSI/IEEE Std 91-1984 and IEC Publication 617-12.

SN54HC354 . . . J PACKAGE  
SN74HC354 . . . DW OR N PACKAGE  
(TOP VIEW)



SN54HC354 . . . FK PACKAGE  
(TOP VIEW)



**PRODUCTION DATA** documents contain information current as of publication date. Products conform to specifications per the terms of Texas Instruments standard warranty. Production processing does not necessarily include testing of all parameters.

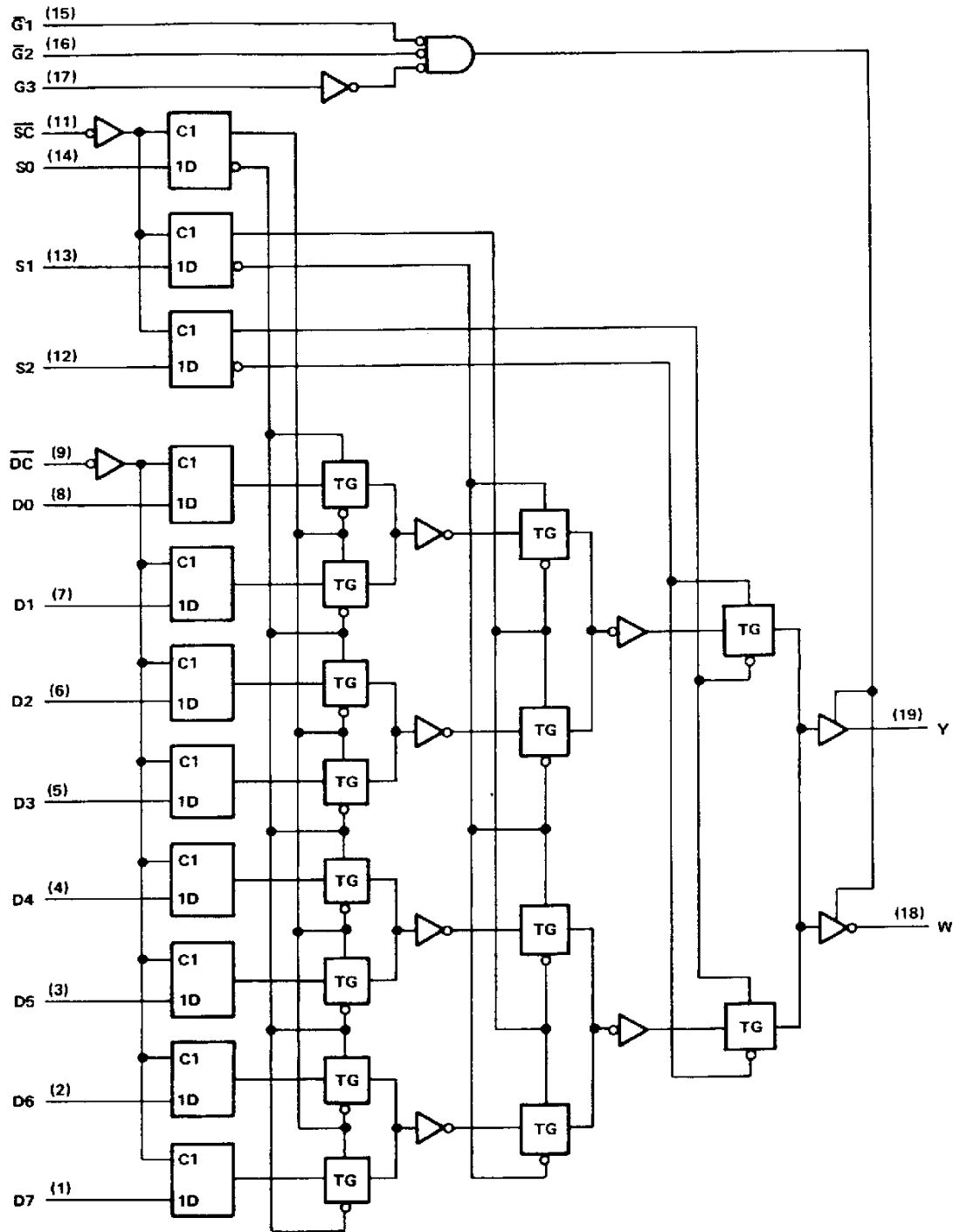


Copyright © 1982, Texas Instruments Incorporated

POST OFFICE BOX 655012 • DALLAS, TEXAS 75265

**SN54HC354, SN74HC354**  
**8-LINE TO 1-LINE DATA SELECTORS/MULTIPLEXERS/  
 TRANSPARENT REGISTERS WITH 3-STATE OUTPUTS**

logic diagram (positive logic)



**TEXAS**   
**INSTRUMENTS**

POST OFFICE BOX 655012 • DALLAS, TEXAS 75265

**SN54HC354, SN74HC354**  
**8-LINE TO 1-LINE DATA SELECTORS/MULTIPLEXERS/  
 TRANSPARENT REGISTERS WITH 3-STATE OUTPUTS**

FUNCTION TABLE

INPUTS							OUTPUTS	
SELECT†			DATA CONTROL	OUTPUT ENABLES				
S2	S1	S0	DC	G1	G2	G3	W	Y
X	X	X	X	H	X	X	Z	Z
X	X	X	X	X	H	X	Z	Z
X	X	X	X	X	X	L	Z	Z
L	L	L	L	L	L	H	$\overline{D0}$	D0
L	L	L	H	L	L	H	$\overline{D0_n}$	D0 <sub>n</sub>
L	L	H	L	L	L	H	$\overline{D1}$	D1
L	L	H	H	L	L	H	$\overline{D1_n}$	D1 <sub>n</sub>
L	H	L	L	L	L	H	$\overline{D2}$	D2
L	H	L	H	L	L	H	$\overline{D2_n}$	D2 <sub>n</sub>
L	H	H	L	L	L	H	$\overline{D3}$	D3
L	H	H	H	L	L	H	$\overline{D3_n}$	D3 <sub>n</sub>
H	L	L	L	L	L	H	$\overline{D4}$	D4
H	L	L	H	L	L	H	$\overline{D4_n}$	D4 <sub>n</sub>
H	L	H	L	L	L	H	$\overline{D5}$	D5
H	L	H	H	L	L	H	$\overline{D5_n}$	D5 <sub>n</sub>
H	H	L	L	L	L	H	$\overline{D6}$	D6
H	H	L	H	L	L	H	$\overline{D6_n}$	D6 <sub>n</sub>
H	H	H	L	L	L	H	$\overline{D7}$	D7
H	H	H	H	L	L	H	$\overline{D7_n}$	D7 <sub>n</sub>

H = high level (steady state)

L = low level (steady state)

X = irrelevant (any input, including transitions)

Z = high-impedance state (off state)

† = transition from low to high level

D0 . . . D7 = the level of steady-state inputs at inputs D0 through D7, respectively

D0<sub>n</sub> . . . D7<sub>n</sub> = the level of steady state inputs at inputs D0 through D7, respectively, before the most recent low-to-high transition of data control

† This column shows the input address setup with  $\overline{SC}$  low.



**SN54HC354, SN74HC354**  
**8-LINE TO 1-LINE DATA SELECTORS/MULTIPLEXERS/**  
**TRANSPARENT REGISTERS WITH 3-STATE OUTPUTS**

**absolute maximum ratings over operating free-air temperature†**

Supply voltage range, $V_{CC}$ .....	-0.5 V to 7 V
Input clamp current, $I_{IK}(V_I < 0 \text{ or } V_I > V_{CC})$ .....	$\pm 20$ mA
Output clamp current, $I_{OK}(V_O < 0 \text{ or } V_O > V_{CC})$ .....	$\pm 20$ mA
Continuous output current, $I_O (V_O = 0 \text{ to } V_{CC})$ .....	$\pm 35$ mA
Continuous current through $V_{CC}$ or GND pins .....	$\pm 70$ mA
Lead temperature 1,6 mm (1/16 in) from case for 60 s: FK or J package .....	300°C
Lead temperature 1,6 mm (1/16 in) from case for 10 s: DW or N package .....	260°C
Storage temperature range .....	-65°C to 150°C

† Stresses beyond those listed under "absolute maximum ratings" may cause permanent damage to the device. These are stress ratings only, and functional operation of the device at these or any other conditions beyond those indicated under "recommended operating conditions" is not implied. Exposure to absolute-maximum-rated conditions for extended periods may affect device reliability.

**recommended operating conditions**

		SN54HC354			SN74HC354			UNIT
		MIN	NOM	MAX	MIN	NOM	MAX	
$V_{CC}$	Supply voltage	2	5	6	2	5	6	V
$V_{IH}$	High-level input voltage	$V_{CC} = 2$ V	1.5		1.5			V
		$V_{CC} = 4.5$ V	3.15		3.15			
		$V_{CC} = 6$ V	4.2		4.2			
$V_{IL}$	Low-level input voltage	$V_{CC} = 2$ V	0	0.3	0	0.3		V
		$V_{CC} = 4.5$ V	0	0.9	0	0.9		
		$V_{CC} = 6$ V	0	1.2	0	1.2		
$V_I$	Input voltage	0		$V_{CC}$	0		$V_{CC}$	V
$V_O$	Output voltage	0		$V_{CC}$	0		$V_{CC}$	V
$t_t$	Input transition (rise and fall) times	$V_{CC} = 2$ V	0	1000	0	1000		ns
		$V_{CC} = 4.5$ V	0	500	0	500		
		$V_{CC} = 6$ V	0	400	0	400		
$T_A$	Operating free-air temperature	-55		125	-40		85	°C

**electrical characteristics over recommended operating free-air temperature range (unless otherwise noted)**

PARAMETER	TEST CONDITIONS	$V_{CC}$	$T_A = 25^\circ\text{C}$			SN54HC354		SN74HC354		UNIT
			MIN	TYP	MAX	MIN	MAX	MIN	MAX	
$V_{OH}$	$V_I = V_{IH} \text{ or } V_{IL}, I_{OH} = -20 \mu\text{A}$	2 V	1.9	1.998		1.9		1.9	V	
		4.5 V	4.4	4.499		4.4		4.4		
		6 V	5.9	5.999		5.9		5.9		
$V_{OL}$	$V_I = V_{IH} \text{ or } V_{IL}, I_{OL} = 20 \mu\text{A}$	4.5 V	3.98	4.30		3.7		3.84	V	
		6 V	5.48	5.80		5.2		5.34		
		2 V		0.002	0.1		0.1			0.1
$V_{OL}$	$V_I = V_{IH} \text{ or } V_{IL}, I_{OL} = 20 \mu\text{A}$	4.5 V		0.001	0.1		0.1	0.1	V	
		6 V		0.001	0.1		0.1	0.1		
		4.5 V		0.17	0.26		0.4			0.33
$I_I$	$V_I = V_{CC} \text{ or } 0$	6 V		$\pm 0.1$	$\pm 100$		$\pm 1000$	$\pm 1000$	nA	
		6 V		$\pm 0.01$	$\pm 0.5$		$\pm 10$	$\pm 5$	$\mu\text{A}$	
		6 V			8		160	80	$\mu\text{A}$	
$I_{CC}$	$V_I = V_{CC} \text{ or } 0, I_O = 0$	6 V			8		160	80	$\mu\text{A}$	
$C_I$		2 to 6 V		3	10		10	10	pF	

**SN54HC354, SN74HC354**  
**8-LINE TO 1-LINE DATA SELECTORS/MULTIPLEXERS/  
 TRANSPARENT REGISTERS WITH 3-STATE OUTPUTS**

timing requirements over recommended operating free-air temperature range (unless otherwise noted)

		V <sub>CC</sub>	T <sub>A</sub> = 25°C		SN54HC354		SN74HC354		UNIT
			MIN	MAX	MIN	MAX	MIN	MAX	
t <sub>w</sub> Pulse duration	$\overline{SC}$ low	2 V	80		120		100	ns	
		4.5 V	16		24		20		
		6 V	14		20		17		
	$\overline{DC}$ low	2 V	80		120		100		
		4.5 V	16		24		20		
		6 V	14		20		17		
t <sub>su</sub> Setup time	Data before $\overline{DC}1$	2 V	75		110		95	ns	
		4.5 V	15		22		19		
		6 V	13		19		16		
	S0 thru S2 before $\overline{SC}1$	2 V	75		110		95		
		4.5 V	15		22		19		
		6 V	13		19		16		
t <sub>h</sub> Hold time	Data after $\overline{DC}1$	2 V	5		5		5	ns	
		4.5 V	5		5		5		
		6 V	5		5		5		
	S0 thru S2 after $\overline{SC}1$	2 V	5		5		5		
		4.5 V	5		5		5		
		6 V	5		5		5		

switching characteristics over recommended operating free-air temperature range (unless otherwise noted), C<sub>L</sub> = 50 pF (see Note 1)

PARAMETER	FROM (INPUT)	TO (OUTPUT)	V <sub>CC</sub>	T <sub>A</sub> = 25°C			SN54HC354		SN74HC354		UNIT
				MIN	TYP	MAX	MIN	MAX	MIN	MAX	
t <sub>pd</sub>	Any D	W or Y	2 V	90	235		352		295	ns	
			4.5 V	29	47		71		59		
			6 V	25	40		60		50		
t <sub>pd</sub>	$\overline{DC}$	W or Y	2 V	115	270		405		337	ns	
			4.5 V	40	54		81		68		
			6 V	32	46		69		58		
t <sub>pd</sub>	S0, S1, or S2	W or Y	2 V	120	285		427		355	ns	
			4.5 V	42	57		86		71		
			6 V	34	48		72		60		
t <sub>pd</sub>	$\overline{SC}$	W or Y	2 V	120	300		450		375	ns	
			4.5 V	45	60		90		75		
			6 V	36	51		77		64		
t <sub>en</sub>	$\overline{G}1, \overline{G}2,$ or G3	W or Y	2 V	50	125		188		155	ns	
			4.5 V	18	25		38		31		
			6 V	15	21		32		26		
t <sub>dis</sub>	$\overline{G}1, \overline{G}2,$ or G3	W or Y	2 V	68	165		248		205	ns	
			4.5 V	24	33		50		41		
			6 V	20	28		43		35		
t <sub>t</sub>		W or Y	2 V	28	60		90		75	ns	
			4.5 V	8	12		18		15		
			6 V	6	10		15		13		

C <sub>pd</sub>	Power dissipation capacitance	No load, T <sub>A</sub> = 25°C	100 pF typ
-----------------	-------------------------------	--------------------------------	------------

NOTE 1: Load circuits and voltage waveforms are shown in Section 1.



POST OFFICE BOX 655012 • DALLAS, TEXAS 75265

**SN54HC354, SN74HC354**  
**8-LINE TO 1-LINE DATA SELECTORS/MULTIPLEXERS/**  
**TRANSPARENT REGISTERS WITH 3-STATE OUTPUTS**

switching characteristics over recommended operating free-air temperature range (unless otherwise noted),  $C_L = 150 \text{ pF}$  (see Note 1)

PARAMETER	FROM (INPUT)	TO (OUTPUT)	$V_{CC}$	$T_A = 25^\circ\text{C}$			SN54HC354		SN74HC354		UNIT
				MIN	TYP	MAX	MIN	MAX	MIN	MAX	
$t_{pd}$	Any D	W or Y	2 V	100	275		412		344	ns	
			4.5 V	40	55		83		69		
			6 V	32	46		69		59		
$t_{pd}$	$\overline{DC}$	W or Y	2 V	125	310		465		387	ns	
			4.5 V	46	62		93		78		
			6 V	38	52		78		66		
$t_{pd}$	S0, S1, or S2	W or Y	2 V	130	325		488		405	ns	
			4.5 V	50	65		98		81		
			6 V	40	55		82		69		
$t_{pd}$	$\overline{SC}$	W or Y	2 V	110	340		510		425	ns	
			4.5 V	52	68		102		85		
			6 V	42	58		87		72		
$t_{en}$	$\overline{G1}, \overline{G2},$ or G3	W or Y	2 V	60	165		248		205	ns	
			4.5 V	25	33		50		41		
			6 V	21	28		42		35		
$t_t$		W or Y	2 V	37	210		315		265	ns	
			4.5 V	12	42		63		53		
			6 V	10	36		53		45		

NOTE 1: Load circuits and voltage waveforms are shown in Section 1.

## **IMPORTANT NOTICE**

Texas Instruments and its subsidiaries (TI) reserve the right to make changes to their products or to discontinue any product or service without notice, and advise customers to obtain the latest version of relevant information to verify, before placing orders, that information being relied on is current and complete. All products are sold subject to the terms and conditions of sale supplied at the time of order acknowledgement, including those pertaining to warranty, patent infringement, and limitation of liability.

TI warrants performance of its semiconductor products to the specifications applicable at the time of sale in accordance with TI's standard warranty. Testing and other quality control techniques are utilized to the extent TI deems necessary to support this warranty. Specific testing of all parameters of each device is not necessarily performed, except those mandated by government requirements.

**CERTAIN APPLICATIONS USING SEMICONDUCTOR PRODUCTS MAY INVOLVE POTENTIAL RISKS OF DEATH, PERSONAL INJURY, OR SEVERE PROPERTY OR ENVIRONMENTAL DAMAGE ("CRITICAL APPLICATIONS"). TI SEMICONDUCTOR PRODUCTS ARE NOT DESIGNED, AUTHORIZED, OR WARRANTED TO BE SUITABLE FOR USE IN LIFE-SUPPORT DEVICES OR SYSTEMS OR OTHER CRITICAL APPLICATIONS. INCLUSION OF TI PRODUCTS IN SUCH APPLICATIONS IS UNDERSTOOD TO BE FULLY AT THE CUSTOMER'S RISK.**

In order to minimize risks associated with the customer's applications, adequate design and operating safeguards must be provided by the customer to minimize inherent or procedural hazards.

TI assumes no liability for applications assistance or customer product design. TI does not warrant or represent that any license, either express or implied, is granted under any patent right, copyright, mask work right, or other intellectual property right of TI covering or relating to any combination, machine, or process in which such semiconductor products or services might be or are used. TI's publication of information regarding any third party's products or services does not constitute TI's approval, warranty or endorsement thereof.