

- Generates Either Odd or Even Parity for Nine Data Lines
- Cascadable for n-Bits
- Can Be Used to Upgrade Existing Systems Using MSI Parity Circuits
- Package Options Include Plastic "Small Outline" Packages, Ceramic Chip Carriers, and Standard Plastic and Ceramic 300-mil DIPs
- Dependable Texas Instruments Quality and Reliability

description

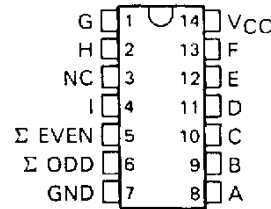
These universal, monolithic, nine-bit parity generators/checkers feature odd and even outputs to facilitate operation of either odd or even parity application. The word-length capability is easily expanded by cascading.

The SN54HC280 is characterized for operation over the full military temperature range of -55°C to 125°C . The SN74HC280 is characterized for operation from -40°C to 85°C .

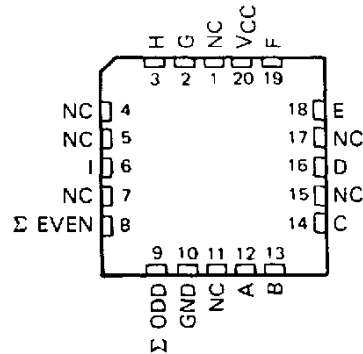
FUNCTION TABLE

NUMBER OF INPUTS A THRU I THAT ARE HIGH	OUTPUTS	
	Σ EVEN	Σ ODD
0, 2, 4, 6, 8	H	L
1, 3, 5, 7, 9	L	H

SN54HC280 . . . J PACKAGE
SN74HC280 . . . D OR N PACKAGE
(TOP VIEW)

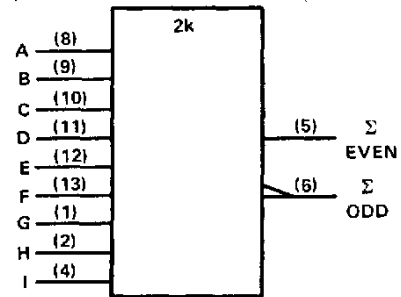


SN54HC280 . . . FK PACKAGE
(TOP VIEW)



NC—No internal connection

logic symbol†



†This symbol is in accordance with ANSI/IEEE Std 91-1984 and IEC Publication 617-12. Pin numbers shown are for D, J, and N packages.

PRODUCTION DATA documents contain information current as of publication date. Products conform to specifications per the terms of Texas Instruments standard warranty. Production processing does not necessarily include testing of all parameters.

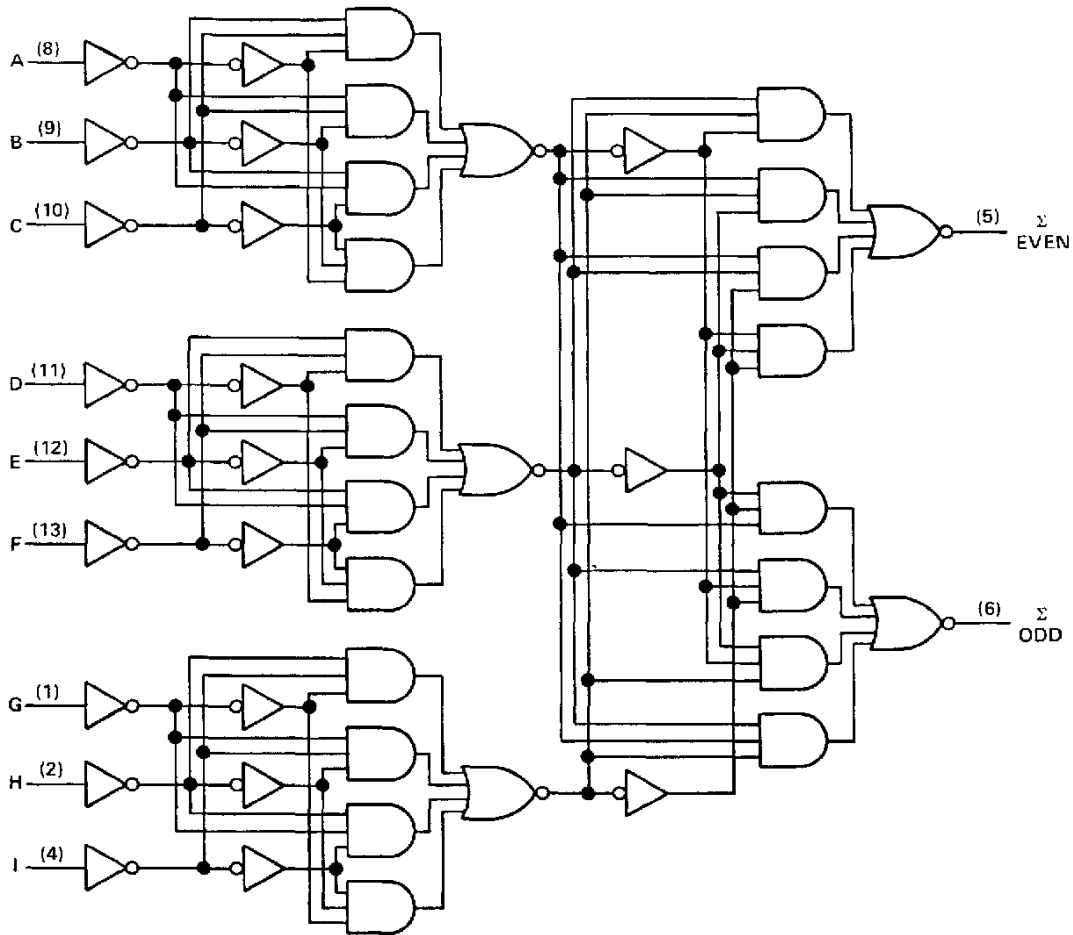


POST OFFICE BOX 655012 • DALLAS, TEXAS 75265

Copyright © 1989, Texas Instruments Incorporated

SN54HC280, SN74HC280
9-BIT ODD/EVEN PARITY GENERATORS/CHECKERS

logic diagram (positive logic)



Pin numbers shown are for D, J, and N packages.

absolute maximum ratings over operating free-air temperature†

Supply voltage, V_{CC}	-0.5 V to 7 V
Input clamp current, I_{IK} ($V_i < 0$ or $V_i > V_{CC}$)	± 20 mA
Output clamp current, I_{OK} ($V_O < 0$ or $V_O > V_{CC}$)	± 20 mA
Continuous output current, I_O ($V_O = 0$ to V_{CC})	± 25 mA
Continuous current through V_{CC} or GND pins	± 50 mA
Lead temperature 1,6 mm (1/16 in) from case for 60 s: FK or J package	300°C
Lead temperature 1,6 mm (1/16 in) from case for 10 s: D or N package	260°C
Storage temperature range	-65°C to 150°C

†Stresses beyond those listed under "absolute maximum ratings" may cause permanent damage to the device. These are stress ratings only, and functional operation of the device at these or any other conditions beyond those indicated under "recommended operating conditions" is not implied. Exposure to absolute-maximum-rated conditions for extended periods may affect device reliability.



POST OFFICE BOX 655012 • DALLAS, TEXAS 75265

SN54HC280, SN74HC280
9-BIT ODD/EVEN PARITY GENERATORS/CHECKERS

recommended operating conditions

		SN54HC280			SN74HC280			UNIT
		MIN	NOM	MAX	MIN	NOM	MAX	
V _{CC}	Supply voltage	2	5	6	2	5	6	V
V _{IH}	High-level input voltage	V _{CC} = 2 V V _{CC} = 4.5 V V _{CC} = 6 V		1.5 3.15 4.2	1.5 3.15 4.2		V	
V _{IL}	Low-level input voltage	V _{CC} = 2 V V _{CC} = 4.5 V V _{CC} = 6 V		0 0 0	0.3 0.9 1.2		V	
V _I	Input voltage			0	V _{CC}		V	
V _O	Output voltage			0	V _{CC}		V	
t _t	Input transition (rise and fall) times	V _{CC} = 2 V V _{CC} = 4.5 V V _{CC} = 6 V		0 0 0	1000 500 400		ns	
T _A	Operating free-air temperature			-55	125		°C	

electrical characteristics over recommended operating free-air temperature range (unless otherwise noted)

PARAMETER	TEST CONDITIONS	V _{CC}	T _A = 25°C		SN54HC280		SN74HC280		UNIT
			MIN	TYP	MAX	MIN	TYP	MAX	
V _{OH}	V _I = V _{IH} or V _{IL} , I _{OH} = -20 μA	2 V	1.9	1.998	1.9		1.9	V	
		4.5 V	4.4	4.499	4.4		4.4		
		6 V	5.9	5.999	5.9		5.9		
	V _I = V _{IH} or V _{IL} , I _{OH} = -4 mA	4.5 V	3.98	4.30	3.7		3.84		
	V _I = V _{IH} or V _{IL} , I _{OH} = -5.2 mA	6 V	5.48	5.80	5.2		5.34		
V _{OL}	V _I = V _{IH} or V _{IL} , I _{OL} = 20 μA	2 V	0.002	0.1		0.1	0.1	V	
		4.5 V	0.001	0.1		0.1	0.1		
		6 V	0.001	0.1		0.1	0.1		
	V _I = V _{IH} or V _{IL} , I _{OL} = 4 mA	4.5 V	0.17	0.26	0.4		0.33		
	V _I = V _{IH} or V _{IL} , I _{OL} = 5.2 mA	6 V	0.15	0.26	0.4		0.33		
I _I	V _I = V _{CC} or 0	6 V	±0.1 ±100		±1000		±1000		nA
I _{CC}	V _I = V _{CC} or 0, I _O = 0	6 V			8		160		μA
C _i		2 to 6 V	3 10		10		10		pF

switching characteristics over recommended operating free-air temperature range (unless otherwise noted), C_L = 50 pF (see Note 1)

PARAMETER	FROM (INPUT)	TO (OUTPUT)	V _{CC}	T _A = 25°C			SN54HC280		SN74HC280		UNIT
				MIN	TYP	MAX	MIN	MAX	MIN	MAX	
t _{pd}	A thru I	Σ Even or Σ Odd	2 V	103	205		305	260	ns		
			4.5 V	21	41		61	52			
			6 V	17	35		52	44			
t _t	Any	Any	2 V	38	75		110	95	ns		
			4.5 V	8	15		22	19			
			6 V	6	13		19	16			

C _{pd}	Power dissipation capacitance	No load, T _A = 25°C	60 pF typ
-----------------	-------------------------------	--------------------------------	-----------

NOTE 1: Load circuit and voltage waveforms are shown in Section 1.



IMPORTANT NOTICE

Texas Instruments and its subsidiaries (TI) reserve the right to make changes to their products or to discontinue any product or service without notice, and advise customers to obtain the latest version of relevant information to verify, before placing orders, that information being relied on is current and complete. All products are sold subject to the terms and conditions of sale supplied at the time of order acknowledgement, including those pertaining to warranty, patent infringement, and limitation of liability.

TI warrants performance of its semiconductor products to the specifications applicable at the time of sale in accordance with TI's standard warranty. Testing and other quality control techniques are utilized to the extent TI deems necessary to support this warranty. Specific testing of all parameters of each device is not necessarily performed, except those mandated by government requirements.

CERTAIN APPLICATIONS USING SEMICONDUCTOR PRODUCTS MAY INVOLVE POTENTIAL RISKS OF DEATH, PERSONAL INJURY, OR SEVERE PROPERTY OR ENVIRONMENTAL DAMAGE ("CRITICAL APPLICATIONS"). TI SEMICONDUCTOR PRODUCTS ARE NOT DESIGNED, AUTHORIZED, OR WARRANTED TO BE SUITABLE FOR USE IN LIFE-SUPPORT DEVICES OR SYSTEMS OR OTHER CRITICAL APPLICATIONS. INCLUSION OF TI PRODUCTS IN SUCH APPLICATIONS IS UNDERSTOOD TO BE FULLY AT THE CUSTOMER'S RISK.

In order to minimize risks associated with the customer's applications, adequate design and operating safeguards must be provided by the customer to minimize inherent or procedural hazards.

TI assumes no liability for applications assistance or customer product design. TI does not warrant or represent that any license, either express or implied, is granted under any patent right, copyright, mask work right, or other intellectual property right of TI covering or relating to any combination, machine, or process in which such semiconductor products or services might be or are used. TI's publication of information regarding any third party's products or services does not constitute TI's approval, warranty or endorsement thereof.