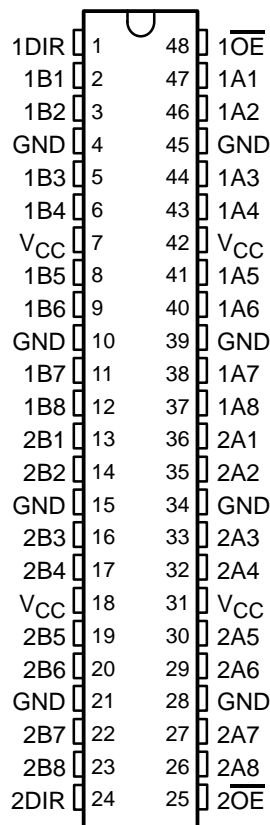


# SN54ALVTH162245, SN74ALVTH162245 2.5-V/3.3-V 16-BIT BUS TRANSCEIVERS WITH 3-STATE OUTPUTS

SCES331A – APRIL 2000 – REVISED APRIL 2002

- **State-of-the-Art Advanced BiCMOS Technology (ABT) Widebus™ Design for 2.5-V and 3.3-V Operation and Low Static-Power Dissipation**
- **Support Mixed-Mode Signal Operation (5-V Input and Output Voltages With 2.3-V to 3.6-V  $V_{CC}$ )**
- **Typical  $V_{OLP}$  (Output Ground Bounce)  $<0.8$  V at  $V_{CC} = 3.3$  V,  $T_A = 25^\circ\text{C}$**
- **High Drive**
  - A Port =  $-12/12$  mA at 3.3-V  $V_{CC}$
  - B port =  $-32/64$  mA at 3.3-V  $V_{CC}$
- **$I_{off}$  and Power-Up 3-State Support Hot Insertion**
- **Use Bus Hold on Data Inputs in Place of External Pullup/Pulldown Resistors to Prevent the Bus From Floating**
- **A-Port Outputs Have Equivalent 30- $\Omega$  Series Resistors, So No External Resistors Are Required**
- **Flow-Through Architecture Facilitates Printed Circuit Board Layout**
- **Distributed  $V_{CC}$  and GND Pins Minimize High-Speed Switching Noise**
- **Latch-Up Performance Exceeds 100 mA Per JESD 78, Class II**

SN54ALVTH162245 . . . WD PACKAGE  
SN74ALVTH162245 . . . DGG, DGV, OR DL PACKAGE  
(TOP VIEW)



## description

The 'ALVTH162245 devices are 16-bit (dual-octal) noninverting 3-state transceivers designed for 2.5-V or 3.3-V  $V_{CC}$  operation, but with the capability to provide a TTL interface to a 5-V system environment.

These devices can be used as two 8-bit transceivers or one 16-bit transceiver. They allow data transmission from the A bus to the B bus or from the B bus to the A bus, depending on the logic level at the direction-control (DIR) input. The output-enable ( $\overline{OE}$ ) input can be used to disable the device so that the buses are effectively isolated.

The A-port outputs, which are designed to source or sink up to 12 mA, include equivalent 30- $\Omega$  series resistors to reduce overshoot and undershoot.

These devices are fully specified for hot-insertion applications using  $I_{off}$  and power-up 3-state. The  $I_{off}$  circuitry disables the outputs, preventing damaging current backflow through the device when it is powered down. The power-up 3-state circuitry places the outputs in the high-impedance state during power up and power down, which prevents driver conflict.

Active bus-hold circuitry is provided to hold unused or floating data inputs at a valid logic level. Use of pullup or pulldown resistors with the bus-hold circuitry is not recommended.



Please be aware that an important notice concerning availability, standard warranty, and use in critical applications of Texas Instruments semiconductor products and disclaimers thereto appears at the end of this data sheet.

Widebus is a trademark of Texas Instruments.

UNLESS OTHERWISE NOTED this document contains PRODUCTION DATA information current as of publication date. Products conform to specifications per the terms of Texas Instruments standard warranty. Production processing does not necessarily include testing of all parameters.

 **TEXAS  
INSTRUMENTS**

POST OFFICE BOX 655303 • DALLAS, TEXAS 75265

Copyright © 2002, Texas Instruments Incorporated

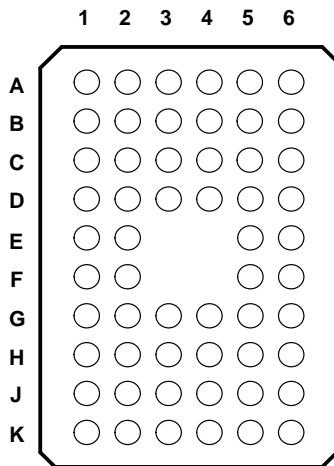
# SN54ALVTH162245, SN74ALVTH162245 2.5-V/3.3-V 16-BIT BUS TRANSCEIVERS WITH 3-STATE OUTPUTS

SCES331A – APRIL 2000 – REVISED APRIL 2002

## description (continued)

When  $V_{CC}$  is between 0 and 1.2 V, the device is in the high-impedance state during power up or power down. However, to ensure the high-impedance state above 1.2 V,  $\overline{OE}$  should be tied to  $V_{CC}$  through a pullup resistor; the minimum value of the resistor is determined by the current-sinking capability of the driver.

### SN74ALVTH162245 . . . GQL PACKAGE (TOP VIEW)



### terminal assignments

|   | 1    | 2   | 3        | 4        | 5   | 6                |
|---|------|-----|----------|----------|-----|------------------|
| A | 1DIR | NC  | NC       | NC       | NC  | $\overline{1OE}$ |
| B | 1B2  | 1B1 | GND      | GND      | 1A1 | 1A2              |
| C | 1B4  | 1B3 | $V_{CC}$ | $V_{CC}$ | 1A3 | 1A4              |
| D | 1B6  | 1B5 | GND      | GND      | 1A5 | 1A6              |
| E | 1B8  | 1B7 |          |          | 1A7 | 1A8              |
| F | 2B1  | 2B2 |          |          | 2A2 | 2A1              |
| G | 2B3  | 2B4 | GND      | GND      | 2A4 | 2A3              |
| H | 2B5  | 2B6 | $V_{CC}$ | $V_{CC}$ | 2A6 | 2A5              |
| J | 2B7  | 2B8 | GND      | GND      | 2A8 | 2A7              |
| K | 2DIR | NC  | NC       | NC       | NC  | $\overline{2OE}$ |

NC – No internal connection

### ORDERING INFORMATION

| $T_A$          | PACKAGE†    |               | ORDERABLE PART NUMBER | TOP-SIDE MARKING   |
|----------------|-------------|---------------|-----------------------|--------------------|
| –40°C to 85°C  | SSOP – DL   | Tape and reel | SN74ALVTH162245LR     | ALVTH162245        |
|                | TSSOP – DGG | Tape and reel | SN74ALVTH162245GR     | ALVTH162245        |
|                | TVSOP – DGV | Tape and reel | SN74ALVTH162245VR     | VT2245             |
|                | VFBGA – GQL | Tape and reel | SN74ALVTH162245QR     |                    |
| –55°C to 125°C | CFP – WD    | Tube          | SNJ54ALVTH162245WD    | SNJ54ALVTH162245WD |

† Package drawings, standard packing quantities, thermal data, symbolization, and PCB design guidelines are available at [www.ti.com/sc/package](http://www.ti.com/sc/package).

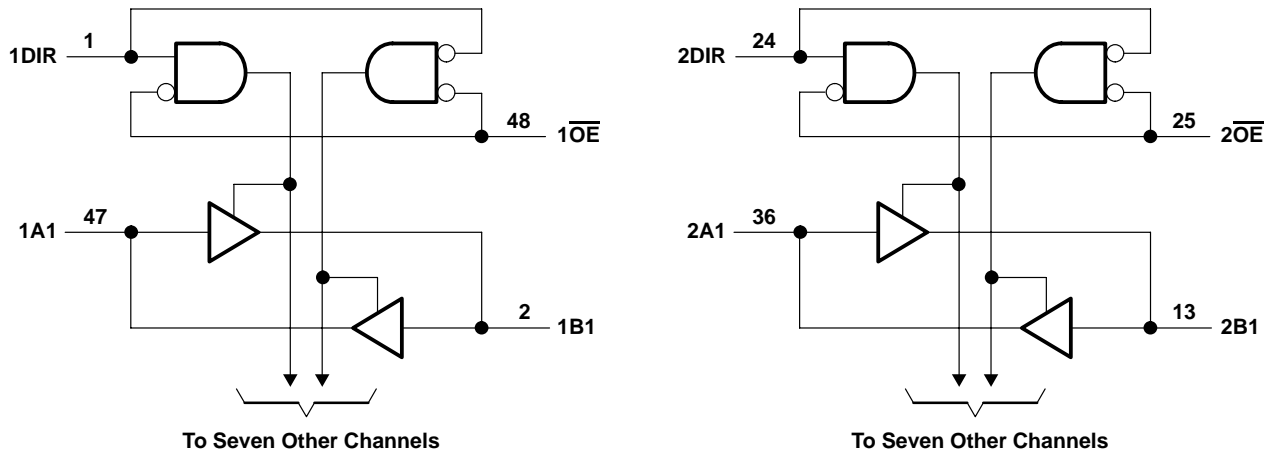
### FUNCTION TABLE (each 8-bit section)

| INPUTS          |     | OPERATION       |
|-----------------|-----|-----------------|
| $\overline{OE}$ | DIR |                 |
| L               | L   | B data to A bus |
| L               | H   | A data to B bus |
| H               | X   | Isolation       |

**SN54ALVTH162245, SN74ALVTH162245**  
**2.5-V/3.3-V 16-BIT BUS TRANSCEIVERS**  
**WITH 3-STATE OUTPUTS**

SCES331A – APRIL 2000 – REVISED APRIL 2002

**logic diagram (positive logic)**



Pin numbers shown are for the DGG, DGV, DL, and WD packages.

**absolute maximum ratings over operating free-air temperature range (unless otherwise noted)†**

|  |                 |
|--|-----------------|
| Supply voltage range, $V_{CC}$ .....   | -0.5 V to 4.6 V |
| Input voltage range, $V_I$ (see Note 1) .....  | -0.5 V to 7 V   |
| Voltage range applied to any output in the high-impedance or power-off state, $V_O$ (see Note 1) ..... | -0.5 V to 7 V   |
| Voltage range applied to any output in the high state, $V_O$ (see Note 1) .....                        | -0.5 V to 7 V   |
| Output current in the low state, $I_{OL}$ : SN54ALVTH162245 .....                                      | 96 mA           |
| SN74ALVTH162245 .....  | 128 mA          |
| Output current in the high state, $I_{OH}$ : SN54ALVTH162245 .....                                     | -48 mA          |
| SN74ALVTH162245 .....  | -64 mA          |
| Continuous current through $V_{CC}$ or GND .....   | $\pm 100$ mA    |
| Input clamp current, $I_{IK}$ ( $V_I < 0$ ) .....  | -50 mA          |
| Output clamp current, $I_{OK}$ ( $V_O < 0$ ) .....   | -50 mA          |
| Package thermal impedance, $\theta_{JA}$ (see Note 2): DGG package .....                               | 70°C/W          |
| DGV package .....  | 58°C/W          |
| DL package .....   | 63°C/W          |
| GQL package .....  | 42°C/W          |
| Storage temperature range, $T_{STG}$ .....   | -65°C to 150°C  |

† Stresses beyond those listed under “absolute maximum ratings” may cause permanent damage to the device. These are stress ratings only, and functional operation of the device at these or any other conditions beyond those indicated under “recommended operating conditions” is not implied. Exposure to absolute-maximum-rated conditions for extended periods may affect device reliability.

- NOTES: 1. The input and output negative-voltage ratings may be exceeded if the input and output clamp-current ratings are observed.  
 2. The package thermal impedance is calculated in accordance with JESD 51-7.

**SN54ALVTH162245, SN74ALVTH162245**  
**2.5-V/3.3-V 16-BIT BUS TRANSCEIVERS**  
**WITH 3-STATE OUTPUTS**

SCES331A – APRIL 2000 – REVISED APRIL 2002

**recommended operating conditions,  $V_{CC} = 2.5\text{ V} \pm 0.2\text{ V}$  (see Note 3)**

|                          |  | SN54ALVTH162245 |          |     | SN74ALVTH162245 |          |     | UNIT               |
|--------------------------|--|-----------------|----------|-----|-----------------|----------|-----|--------------------|
|                          |  | MIN             | TYP      | MAX | MIN             | TYP      | MAX |                    |
| $V_{CC}$                 | Supply voltage   | 2.3             |          | 2.7 | 2.3             |          | 2.7 | V                  |
| $V_{IH}$                 | High-level input voltage   | 1.7             |          |     | 1.7             |          |     | V                  |
| $V_{IL}$                 | Low-level input voltage  |                 |          | 0.7 |                 |          | 0.7 | V                  |
| $V_I$                    | Input voltage  | 0               | $V_{CC}$ | 5.5 | 0               | $V_{CC}$ | 5.5 | V                  |
| $I_{OH}$                 | High-level output current (A port)   |                 |          | -6  |                 |          | -8  | mA                 |
|                          | High-level output current (B port)   |                 |          | -6  |                 |          | -8  |                    |
| $I_{OL}$                 | Low-level output current (A port)  |                 |          | 6   |                 |          | 12  | mA                 |
|                          | Low-level output current (B port)  |                 |          | 6   |                 |          | 8   |                    |
|                          | Low-level output current;<br>current duty cycle $\leq 50\%$ ; $f \geq 1\text{ kHz}$ (B port) |                 |          | 18  |                 |          | 24  |                    |
| $\Delta t/\Delta v$      | Input transition rise or fall rate   | Outputs enabled |          | 10  | 10              |          | 10  | ns/V               |
| $\Delta t/\Delta V_{CC}$ | Power-up ramp rate   | 200             |          |     | 200             |          |     | $\mu\text{s/V}$    |
| $T_A$                    | Operating free-air temperature   | -55             |          | 125 | -40             |          | 85  | $^{\circ}\text{C}$ |

NOTE 3: All unused control inputs of the device must be held at  $V_{CC}$  or GND to ensure proper device operation. Refer to the TI application report, *Implications of Slow or Floating CMOS Inputs*, literature number SCBA004.

**recommended operating conditions,  $V_{CC} = 3.3\text{ V} \pm 0.3\text{ V}$  (see Note 3)**

|                          |  | SN54ALVTH162245 |          |     | SN74ALVTH162245 |          |     | UNIT               |
|--------------------------|--|-----------------|----------|-----|-----------------|----------|-----|--------------------|
|                          |  | MIN             | TYP      | MAX | MIN             | TYP      | MAX |                    |
| $V_{CC}$                 | Supply voltage   | 3               |          | 3.6 | 3               |          | 3.6 | V                  |
| $V_{IH}$                 | High-level input voltage   | 2               |          |     | 2               |          |     | V                  |
| $V_{IL}$                 | Low-level input voltage  |                 |          | 0.8 |                 |          | 0.8 | V                  |
| $V_I$                    | Input voltage  | 0               | $V_{CC}$ | 5.5 | 0               | $V_{CC}$ | 5.5 | V                  |
| $I_{OH}$                 | High-level output current (A port)   |                 |          | -8  |                 |          | -12 | mA                 |
|                          | High-level output current (B port)   |                 |          | -24 |                 |          | -32 |                    |
| $I_{OL}$                 | Low-level output current (A port)  |                 |          | 8   |                 |          | 12  | mA                 |
|                          | Low-level output current (B port)  |                 |          | 24  |                 |          | 32  |                    |
|                          | Low-level output current;<br>current duty cycle $\leq 50\%$ ; $f \geq 1\text{ kHz}$ (B port) |                 |          | 48  |                 |          | 64  |                    |
| $\Delta t/\Delta v$      | Input transition rise or fall rate   | Outputs enabled |          | 10  | 10              |          | 10  | ns/V               |
| $\Delta t/\Delta V_{CC}$ | Power-up ramp rate   | 200             |          |     | 200             |          |     | $\mu\text{s/V}$    |
| $T_A$                    | Operating free-air temperature   | -55             |          | 125 | -40             |          | 85  | $^{\circ}\text{C}$ |

NOTE 3: All unused control inputs of the device must be held at  $V_{CC}$  or GND to ensure proper device operation. Refer to the TI application report, *Implications of Slow or Floating CMOS Inputs*, literature number SCBA004.

# SN54ALVTH162245, SN74ALVTH162245 2.5-V/3.3-V 16-BIT BUS TRANSCEIVERS WITH 3-STATE OUTPUTS

SCES331A – APRIL 2000 – REVISED APRIL 2002

**electrical characteristics over recommended operating free-air temperature range,  
V<sub>CC</sub> = 2.5 V ± 0.2 V (unless otherwise noted)**

| PARAMETER  |  | TEST CONDITIONS  |                                  | SN54ALVTH162245                               |          | SN74ALVTH162245      |          | UNIT |      |
|--|--|--|----------------------------------|---|----------|----------------------|----------|------|------|
|  |  |  |                                  | MIN   | TYP†     | MAX                  | MIN      |      | TYP† |
| V <sub>IK</sub>                                      |  | V <sub>CC</sub> = 2.3 V, I <sub>I</sub> = -18 mA   |                                  | -1.2  |          | -1.2                 |          | V    |      |
| V <sub>OH</sub>                                      | A port   | V <sub>CC</sub> = 2.3 V to 2.7 V, I <sub>OH</sub> = -100 μA  |                                  | V <sub>CC</sub> -0.2                          |          | V <sub>CC</sub> -0.2 |          | V    |      |
|  |  | V <sub>CC</sub> = 2.3 V  |                                  | I <sub>OH</sub> = -6 mA                       |          | 1.7                  |          |      |      |
|  |  |  |                                  | I <sub>OH</sub> = -8 mA                       |          | 1.7                  |          |      |      |
|  | B port   | V <sub>CC</sub> = 2.3 V to 2.7 V, I <sub>OH</sub> = -100 μA  |                                  | V <sub>CC</sub> -0.2                          |          | V <sub>CC</sub> -0.2 |          |      |      |
|  |  | V <sub>CC</sub> = 2.3 V  |                                  | I <sub>OH</sub> = -6 mA                       |          | 1.7                  |          |      |      |
|  |  |  |                                  | I <sub>OH</sub> = -8 mA                       |          | 1.7                  |          |      |      |
| V <sub>OL</sub>                                      | A port   | V <sub>CC</sub> = 2.3 V to 2.7 V, I <sub>OL</sub> = 100 μA   |                                  | 0.2   |          | 0.2                  |          | V    |      |
|  |  | V <sub>CC</sub> = 2.3 V  |                                  | I <sub>OL</sub> = 6 mA                        |          | 0.4                  |          |      |      |
|  |  |  |                                  | I <sub>OL</sub> = 12 mA                       |          | 0.4                  |          |      |      |
|  | B port   | V <sub>CC</sub> = 2.3 V to 2.7 V, I <sub>OL</sub> = 100 μA   |                                  | 0.2   |          | 0.2                  |          |      |      |
|  |  | V <sub>CC</sub> = 2.3 V  |                                  | I <sub>OL</sub> = 6 mA                        |          | 0.4                  |          |      |      |
|  |  |  |                                  | I <sub>OL</sub> = 8 mA                        |          | 0.4                  |          |      |      |
|  |  |  |                                  | I <sub>OL</sub> = 18 mA                       |          | 0.5                  |          |      |      |
|  |  | V <sub>CC</sub> = 2.3 V  |                                  | I <sub>OL</sub> = 24 mA                       |          | 0.5                  |          |      |      |
|  |  |  |                                  |   |          |                      |          |      |      |
|  |  | I <sub>I</sub>   | Control inputs                   | V <sub>CC</sub> = 2.7 V, V <sub>I</sub> = GND |          | ±1                   |          |      | ±1   |
| V <sub>CC</sub> = 0 or 2.7 V, V <sub>I</sub> = 5.5 V |  |  |                                  | 10  |          | 10                   |          |      |      |
| A or B ports   | V <sub>CC</sub> = 2.7 V  |  | V <sub>I</sub> = 5.5 V           |   | 20       |                      |          |      |      |
|  |  |  | V <sub>I</sub> = V <sub>CC</sub> |   | 1        |                      |          |      |      |
|  |  |  | V <sub>I</sub> = 0               |   | -5       |                      |          |      |      |
| I <sub>off</sub>                                     |  | V <sub>CC</sub> = 0, V <sub>I</sub> or V <sub>O</sub> = 0 to 4.5 V   |                                  |   |          | ±100                 |          | μA   |      |
| I <sub>BHL</sub> ‡                                   |  | V <sub>CC</sub> = 2.3 V, V <sub>I</sub> = 0.7 V  |                                  | 115   |          | 115                  |          | μA   |      |
| I <sub>BHH</sub> §                                   |  | V <sub>CC</sub> = 2.3 V, V <sub>I</sub> = 1.7 V  |                                  | -10   |          | -10                  |          | μA   |      |
| I <sub>BHLO</sub> ¶                                  |  | V <sub>CC</sub> = 2.7 V, V <sub>I</sub> = 0 to V <sub>CC</sub>   |                                  | 300   |          | 300                  |          | μA   |      |
| I <sub>BHHO</sub> #                                  |  | V <sub>CC</sub> = 2.7 V, V <sub>I</sub> = 0 to V <sub>CC</sub>   |                                  | -300  |          | -300                 |          | μA   |      |
| I <sub>EX</sub>                                      |  | V <sub>CC</sub> = 2.3 V, V <sub>O</sub> = 5.5 V  |                                  | 125   |          | 125                  |          | μA   |      |
| I <sub>OZ</sub> (PU/PD)*                             |  | V <sub>CC</sub> ≤ 1.2 V, V <sub>O</sub> = 0.5 V to V <sub>CC</sub> , V <sub>I</sub> = GND or V <sub>CC</sub> , OE = don't care |                                  | ±100  |          | ±100                 |          | μA   |      |
| I <sub>CC</sub>                                      | V <sub>CC</sub> = 2.7 V, I <sub>O</sub> = 0, V <sub>I</sub> = V <sub>CC</sub> or GND |  | Outputs high                     |   | 0.04 0.1 |                      | 0.04 0.1 |      | mA   |
|  |  |  | Outputs low                      |   | 2.3 4.5  |                      | 2.3 4.5  |      |      |
|  |  |  | Outputs disabled                 |   | 0.04 0.1 |                      | 0.04 0.1 |      |      |
| C <sub>i</sub>                                       |  | V <sub>CC</sub> = 2.5 V, V <sub>I</sub> = 2.5 V or 0   |                                  | 3.5   |          | 3.5                  |          | pF   |      |
| C <sub>io</sub>                                      |  | V <sub>CC</sub> = 2.5 V, V <sub>O</sub> = 2.5 V or 0   |                                  | 8   |          | 8                    |          | pF   |      |

† All typical values are at V<sub>CC</sub> = 2.5 V, T<sub>A</sub> = 25°C.

‡ The bus-hold circuit can sink at least the minimum low sustaining current at V<sub>IL</sub> max. I<sub>BHL</sub> should be measured after lowering V<sub>IN</sub> to GND and then raising it to V<sub>IL</sub> max.

§ The bus-hold circuit can source at least the minimum high sustaining current at V<sub>IH</sub> min. I<sub>BHH</sub> should be measured after raising V<sub>IN</sub> to V<sub>CC</sub> and then lowering it to V<sub>IH</sub> min.

¶ An external driver must source at least I<sub>BHLO</sub> to switch this node from low to high.

# An external driver must sink at least I<sub>BHHO</sub> to switch this node from high to low.

|| Current into an output in the high state when V<sub>O</sub> > V<sub>CC</sub>

\* High-impedance state during power up or power down

PRODUCT PREVIEW information concerns products in the formative or design phase of development. Characteristic data and other specifications are design goals. Texas Instruments reserves the right to change or discontinue these products without notice.



# SN54ALVTH162245, SN74ALVTH162245 2.5-V/3.3-V 16-BIT BUS TRANSCEIVERS WITH 3-STATE OUTPUTS

SCES331A – APRIL 2000 – REVISED APRIL 2002

electrical characteristics over recommended operating free-air temperature range,  
V<sub>CC</sub> = 3.3 V ± 0.3 V (unless otherwise noted)

| PARAMETER                |  | TEST CONDITIONS  |                          | SN54ALVTH162245                  |          | SN74ALVTH162245      |          | UNIT |      |
|--------------------------|--|--|--------------------------|----------------------------------|----------|----------------------|----------|------|------|
|                          |  |  |                          | MIN                              | TYP†     | MAX                  | MIN      |      | TYP† |
| V <sub>IK</sub>          |  | V <sub>CC</sub> = 3 V, I <sub>I</sub> = -18 mA                   |                          | -1.2                             |          | -1.2                 |          | V    |      |
| V <sub>OH</sub>          | A port   | V <sub>CC</sub> = 3 V to 3.6 V, I <sub>OH</sub> = -100 μA        |                          | V <sub>CC</sub> -0.2             |          | V <sub>CC</sub> -0.2 |          | V    |      |
|                          |  | V <sub>CC</sub> = 3 V  |                          | 2                                |          |                      |          |      |      |
|                          |  |  | I <sub>OH</sub> = -8 mA  |                                  |          |                      |          |      |      |
|                          |  |  | I <sub>OH</sub> = -12 mA |                                  | 2        |                      |          |      |      |
| B port                   |  | V <sub>CC</sub> = 3 V to 3.6 V, I <sub>OH</sub> = -100 μA        |                          | V <sub>CC</sub> -0.2             |          | V <sub>CC</sub> -0.2 |          |      |      |
|                          |  | V <sub>CC</sub> = 3 V  |                          | 2                                |          |                      |          |      |      |
|                          |  |  | I <sub>OH</sub> = -24 mA |                                  |          |                      |          |      |      |
|                          |  |  | I <sub>OH</sub> = -32 mA |                                  | 2        |                      |          |      |      |
| V <sub>OL</sub>          | A port   | V <sub>CC</sub> = 3 V to 3.6 V, I <sub>OL</sub> = 100 μA         |                          | 0.2                              |          | 0.2                  |          | V    |      |
|                          |  | V <sub>CC</sub> = 3 V  |                          | ?                                |          |                      |          |      |      |
|                          |  |  |                          | I <sub>OL</sub> = 8 mA           |          |                      |          |      |      |
|                          | B port   | V <sub>CC</sub> = 3 V to 3.6 V, I <sub>OL</sub> = 100 μA         |                          | 0.2                              |          | 0.2                  |          |      |      |
|                          |  | V <sub>CC</sub> = 3 V  |                          | 0.5                              |          |                      |          |      |      |
|                          |  |  |                          | I <sub>OL</sub> = 24 mA          |          |                      |          |      |      |
|                          |  |  |                          | I <sub>OL</sub> = 32 mA          |          | 0.5                  |          |      |      |
|                          |  |  |                          | I <sub>OL</sub> = 48 mA          |          | 0.55                 |          |      |      |
|                          |  | I <sub>OL</sub> = 64 mA  |                          |                                  |          | 0.55                 |          |      |      |
| I <sub>I</sub>           | Control inputs   | V <sub>CC</sub> = 3.6 V, V <sub>I</sub> = V <sub>CC</sub> or GND |                          | ±1                               |          | ±1                   |          | μA   |      |
|                          |  | V <sub>CC</sub> = 0 or 3.6 V, V <sub>I</sub> = 5.5 V             |                          | 10                               |          | 10                   |          |      |      |
|                          | A or B ports   | V <sub>CC</sub> = 3.6 V  |                          | 20                               |          | 20                   |          |      |      |
|                          |  |  |                          | V <sub>I</sub> = V <sub>CC</sub> |          | 1                    |          |      |      |
|                          |  | V <sub>I</sub> = 0   |                          | -5                               |          | -5                   |          |      |      |
| I <sub>off</sub>         | V <sub>CC</sub> = 0, V <sub>I</sub> or V <sub>O</sub> = 0 to 4.5 V   |  |                          |                                  | ±100     |                      | μA       |      |      |
| I <sub>BHL</sub> ‡       | V <sub>CC</sub> = 3 V, V <sub>I</sub> = 0.8 V  |  | 75                       |                                  | 75       |                      | μA       |      |      |
| I <sub>BHH</sub> §       | V <sub>CC</sub> = 3 V, V <sub>I</sub> = 2 V  |  | -75                      |                                  | -75      |                      | μA       |      |      |
| I <sub>BHLO</sub> ¶      | V <sub>CC</sub> = 3.6 V, V <sub>I</sub> = 0 to V <sub>CC</sub>   |  | 500                      |                                  | 500      |                      | μA       |      |      |
| I <sub>BHHO</sub> #      | V <sub>CC</sub> = 3.6 V, V <sub>I</sub> = 0 to V <sub>CC</sub>   |  | -500                     |                                  | -500     |                      | μA       |      |      |
| I <sub>EX</sub>          | V <sub>CC</sub> = 3 V, V <sub>O</sub> = 5.5 V  |  | 125                      |                                  | 125      |                      | μA       |      |      |
| I <sub>OZ</sub> (PU/PD)* | V <sub>CC</sub> ≤ 1.2 V, V <sub>O</sub> = 0.5 V to V <sub>CC</sub> , V <sub>I</sub> = GND or V <sub>CC</sub> , OE = don't care |  | ±100                     |                                  | ±100     |                      | μA       |      |      |
| I <sub>CC</sub>          | V <sub>CC</sub> = 3.6 V, I <sub>O</sub> = 0, V <sub>I</sub> = V <sub>CC</sub> or GND   |  | Outputs high             |                                  | 0.07 0.1 |                      | 0.07 0.1 |      | mA   |
|                          |  |  | Outputs low              |                                  | 3.2 5    |                      | 3.2 5    |      |      |
|                          |  |  | Outputs disabled         |                                  | 0.07 0.1 |                      | 0.07 0.1 |      |      |
| ΔI <sub>CC</sub> □       | V <sub>CC</sub> = 3 V to 3.6 V, One input at V <sub>CC</sub> - 0.6 V, Other inputs at V <sub>CC</sub> or GND                   |  | 0.2                      |                                  | 0.2      |                      | mA       |      |      |
| C <sub>i</sub>           | V <sub>CC</sub> = 3.3 V, V <sub>I</sub> = 3.3 V or 0   |  | 3.5                      |                                  | 3.5      |                      | pF       |      |      |
| C <sub>io</sub>          | V <sub>CC</sub> = 3.3 V, V <sub>O</sub> = 3.3 V or 0   |  | 8                        |                                  | 8        |                      | pF       |      |      |

† All typical values are at V<sub>CC</sub> = 3.3 V, T<sub>A</sub> = 25°C.

‡ The bus-hold circuit can sink at least the minimum low sustaining current at V<sub>IL</sub> max. I<sub>BHL</sub> should be measured after lowering V<sub>IN</sub> to GND and then raising it to V<sub>IL</sub> max.

§ The bus-hold circuit can source at least the minimum high sustaining current at V<sub>IH</sub> min. I<sub>BHH</sub> should be measured after raising V<sub>IN</sub> to V<sub>CC</sub> and then lowering it to V<sub>IH</sub> min.

¶ An external driver must source at least I<sub>BHLO</sub> to switch this node from low to high.

# An external driver must sink at least I<sub>BHHO</sub> to switch this node from high to low.

|| Current into an output in the high state when V<sub>O</sub> > V<sub>CC</sub>

\* High-impedance state during power up or power down

□ This is the increase in supply current for each input that is at the specified TTL voltage level rather than V<sub>CC</sub> or GND.

PRODUCT PREVIEW information concerns products in the formative or design phase of development. Characteristic data and other specifications are design goals. Texas Instruments reserves the right to change or discontinue these products without notice.



# SN54ALVTH162245, SN74ALVTH162245 2.5-V/3.3-V 16-BIT BUS TRANSCEIVERS WITH 3-STATE OUTPUTS

SCES331A – APRIL 2000 – REVISED APRIL 2002

switching characteristics over recommended operating free-air temperature range,  $C_L = 30$  pF,  $V_{CC} = 2.5$  V  $\pm$  0.2 V (unless otherwise noted) (see Figure 1)

| PARAMETER        | FROM (INPUT)    | TO (OUTPUT) | SN54ALVTH162245 |     | SN74ALVTH162245 |     | UNIT |
|------------------|-----------------|-------------|-----------------|-----|-----------------|-----|------|
|                  |                 |             | MIN             | MAX | MIN             | MAX |      |
| t <sub>PLH</sub> | A               | B           | 0.3             | 3.6 | 0.3             | 3.6 | ns   |
| t <sub>PHL</sub> |                 |             | 0.5             | 3.5 | 0.5             | 3.5 |      |
| t <sub>PLH</sub> | B               | A           | 1.1             | 4.3 | 1.1             | 4.3 | ns   |
| t <sub>PHL</sub> |                 |             | 1.1             | 3.8 | 1.1             | 3.8 |      |
| t <sub>PZH</sub> | $\overline{OE}$ | A           | 2               | 5.6 | 2               | 5.6 | ns   |
| t <sub>PZL</sub> |                 |             | 1.8             | 4.4 | 1.8             | 4.4 |      |
| t <sub>PZH</sub> | $\overline{OE}$ | B           | 1.5             | 5.1 | 1.5             | 5.1 | ns   |
| t <sub>PZL</sub> |                 |             | 1.5             | 4.1 | 1.5             | 4.1 |      |
| t <sub>PHZ</sub> | $\overline{OE}$ | A           | 1.9             | 4.9 | 1.9             | 4.9 | ns   |
| t <sub>PLZ</sub> |                 |             | 1.5             | 4.3 | 1.5             | 4.3 |      |
| t <sub>PHZ</sub> | $\overline{OE}$ | B           | 1.9             | 4.8 | 1.9             | 4.8 | ns   |
| t <sub>PLZ</sub> |                 |             | 1.5             | 4.1 | 1.5             | 4.1 |      |

switching characteristics over recommended operating free-air temperature range,  $C_L = 50$  pF,  $V_{CC} = 3.3$  V  $\pm$  0.3 V (unless otherwise noted) (see Figure 2)

| PARAMETER        | FROM (INPUT)    | TO (OUTPUT) | SN54ALVTH162245 |     | SN74ALVTH162245 |     | UNIT |
|------------------|-----------------|-------------|-----------------|-----|-----------------|-----|------|
|                  |                 |             | MIN             | MAX | MIN             | MAX |      |
| t <sub>PLH</sub> | A               | B           | 0.5             | 3.1 | 0.5             | 3.1 | ns   |
| t <sub>PHL</sub> |                 |             | 0.5             | 3   | 0.5             | 3   |      |
| t <sub>PLH</sub> | B               | A           | 1               | 3.7 | 1               | 3.7 | ns   |
| t <sub>PHL</sub> |                 |             | 1               | 3.4 | 1               | 3.4 |      |
| t <sub>PZH</sub> | $\overline{OE}$ | A           | 1.4             | 4.7 | 1.4             | 4.7 | ns   |
| t <sub>PZL</sub> |                 |             | 1.4             | 3.9 | 1.4             | 3.9 |      |
| t <sub>PZH</sub> | OE              | B           | 1               | 3.8 | 1               | 3.8 | ns   |
| t <sub>PZL</sub> |                 |             | 0.7             | 3.4 | 0.7             | 3.4 |      |
| t <sub>PHZ</sub> | $\overline{OE}$ | A           | 2.4             | 5   | 2.4             | 5   | ns   |
| t <sub>PLZ</sub> |                 |             | 2.6             | 4.9 | 2.6             | 4.9 |      |
| t <sub>PHZ</sub> | $\overline{OE}$ | B           | 2.4             | 4.7 | 2.4             | 4.7 | ns   |
| t <sub>PLZ</sub> |                 |             | 2.3             | 4.8 | 2.3             | 4.8 |      |

PRODUCT PREVIEW information concerns products in the formative or design phase of development. Characteristic data and other specifications are design goals. Texas Instruments reserves the right to change or discontinue these products without notice.

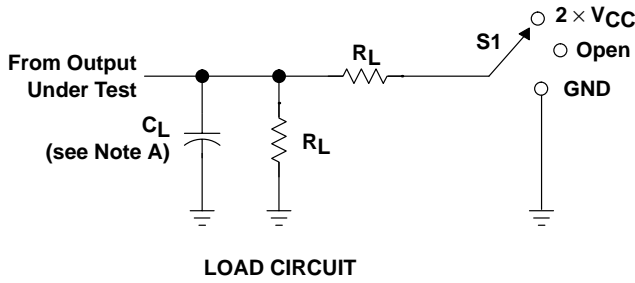


POST OFFICE BOX 655303 • DALLAS, TEXAS 75265

**SN54ALVTH162245, SN74ALVTH162245**  
**2.5-V/3.3-V 16-BIT BUS TRANSCEIVERS**  
**WITH 3-STATE OUTPUTS**

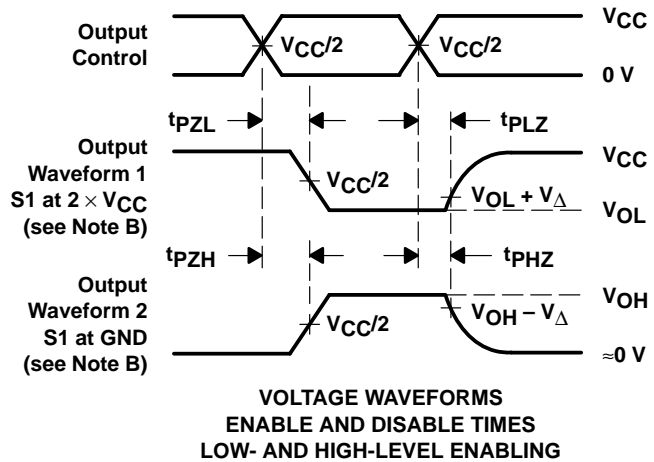
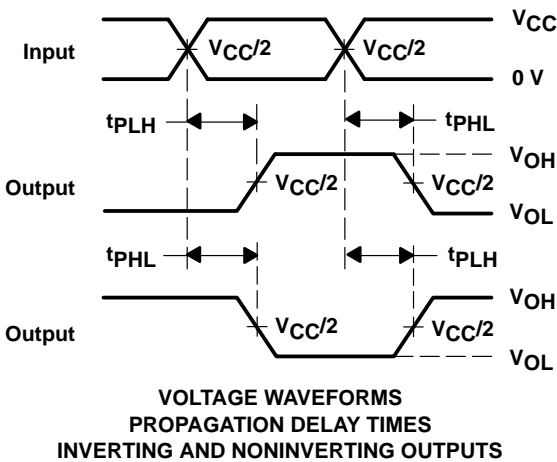
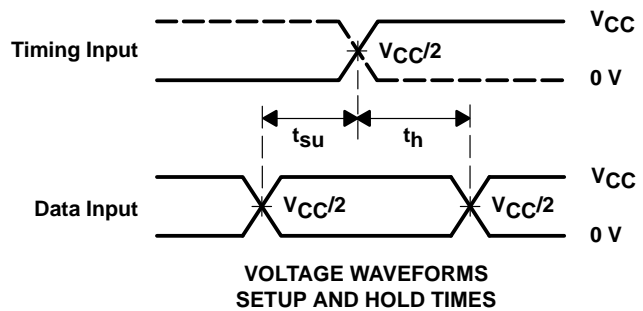
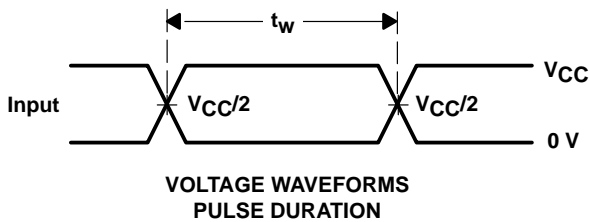
SCES331A – APRIL 2000 – REVISED APRIL 2002

**PARAMETER MEASUREMENT INFORMATION**



| TEST                               | S1                  |
|------------------------------------|---------------------|
| t <sub>PLH</sub> /t <sub>PHL</sub> | Open                |
| t <sub>PLZ</sub> /t <sub>PZL</sub> | 2 × V <sub>CC</sub> |
| t <sub>PHZ</sub> /t <sub>PZH</sub> | GND                 |

| V <sub>CC</sub> | C <sub>L</sub> | R <sub>L</sub> | V <sub>Δ</sub> |
|-----------------|----------------|----------------|----------------|
| 2.5 V ±0.2 V    | 30 pF          | 500 Ω          | 0.15 V         |
| 3.3 V ±0.3 V    | 50 pF          | 500 Ω          | 0.3 V          |



- NOTES: A. C<sub>L</sub> includes probe and jig capacitance.  
 B. Waveform 1 is for an output with internal conditions such that the output is low except when disabled by the output control. Waveform 2 is for an output with internal conditions such that the output is high except when disabled by the output control.  
 C. All input pulses are supplied by generators having the following characteristics: PRR ≤ 10 MHz, Z<sub>O</sub> = 50 Ω, t<sub>r</sub> ≤ 2 ns, t<sub>f</sub> ≤ 2 ns.  
 D. The outputs are measured one at a time with one transition per measurement.  
 E. All parameters and waveforms are not applicable to all devices.

**Figure 1. Load Circuit and Voltage Waveforms**



**PACKAGING INFORMATION**

| Orderable Device  | Status <sup>(1)</sup> | Package Type | Package Drawing | Pins | Package Qty | Eco Plan <sup>(2)</sup> | Lead/Ball Finish | MSL Peak Temp <sup>(3)</sup> |
|-------------------|-----------------------|--------------|-----------------|------|-------------|-------------------------|------------------|------------------------------|
| 74ALVTH162245DLG4 | ACTIVE                | SSOP         | DL              | 48   | 25          | Green (RoHS & no Sb/Br) | CU NIPDAU        | Level-1-260C-UNLIM           |
| 74ALVTH162245GRE4 | ACTIVE                | TSSOP        | DGG             | 48   | 2000        | Green (RoHS & no Sb/Br) | CU NIPDAU        | Level-1-260C-UNLIM           |
| 74ALVTH162245GRG4 | ACTIVE                | TSSOP        | DGG             | 48   | 2000        | Green (RoHS & no Sb/Br) | CU NIPDAU        | Level-1-260C-UNLIM           |
| 74ALVTH162245LRG4 | ACTIVE                | SSOP         | DL              | 48   | 1000        | Green (RoHS & no Sb/Br) | CU NIPDAU        | Level-1-260C-UNLIM           |
| 74ALVTH162245VRE4 | ACTIVE                | TVSOP        | DGV             | 48   | 2000        | Green (RoHS & no Sb/Br) | CU NIPDAU        | Level-1-260C-UNLIM           |
| 74ALVTH162245VRG4 | ACTIVE                | TVSOP        | DGV             | 48   | 2000        | Green (RoHS & no Sb/Br) | CU NIPDAU        | Level-1-260C-UNLIM           |
| SN74ALVTH162245DL | ACTIVE                | SSOP         | DL              | 48   | 25          | Green (RoHS & no Sb/Br) | CU NIPDAU        | Level-1-260C-UNLIM           |
| SN74ALVTH162245GR | ACTIVE                | TSSOP        | DGG             | 48   | 2000        | Green (RoHS & no Sb/Br) | CU NIPDAU        | Level-1-260C-UNLIM           |
| SN74ALVTH162245LR | ACTIVE                | SSOP         | DL              | 48   | 1000        | Green (RoHS & no Sb/Br) | CU NIPDAU        | Level-1-260C-UNLIM           |
| SN74ALVTH162245VR | ACTIVE                | TVSOP        | DGV             | 48   | 2000        | Green (RoHS & no Sb/Br) | CU NIPDAU        | Level-1-260C-UNLIM           |

<sup>(1)</sup> The marketing status values are defined as follows:

**ACTIVE:** Product device recommended for new designs.

**LIFEBUY:** TI has announced that the device will be discontinued, and a lifetime-buy period is in effect.

**NRND:** Not recommended for new designs. Device is in production to support existing customers, but TI does not recommend using this part in a new design.

**PREVIEW:** Device has been announced but is not in production. Samples may or may not be available.

**OBSOLETE:** TI has discontinued the production of the device.

<sup>(2)</sup> Eco Plan - The planned eco-friendly classification: Pb-Free (RoHS), Pb-Free (RoHS Exempt), or Green (RoHS & no Sb/Br) - please check <http://www.ti.com/productcontent> for the latest availability information and additional product content details.

**TBD:** The Pb-Free/Green conversion plan has not been defined.

**Pb-Free (RoHS):** TI's terms "Lead-Free" or "Pb-Free" mean semiconductor products that are compatible with the current RoHS requirements for all 6 substances, including the requirement that lead not exceed 0.1% by weight in homogeneous materials. Where designed to be soldered at high temperatures, TI Pb-Free products are suitable for use in specified lead-free processes.

**Pb-Free (RoHS Exempt):** This component has a RoHS exemption for either 1) lead-based flip-chip solder bumps used between the die and package, or 2) lead-based die adhesive used between the die and leadframe. The component is otherwise considered Pb-Free (RoHS compatible) as defined above.

**Green (RoHS & no Sb/Br):** TI defines "Green" to mean Pb-Free (RoHS compatible), and free of Bromine (Br) and Antimony (Sb) based flame retardants (Br or Sb do not exceed 0.1% by weight in homogeneous material)

<sup>(3)</sup> MSL, Peak Temp. -- The Moisture Sensitivity Level rating according to the JEDEC industry standard classifications, and peak solder temperature.

**Important Information and Disclaimer:** The information provided on this page represents TI's knowledge and belief as of the date that it is provided. TI bases its knowledge and belief on information provided by third parties, and makes no representation or warranty as to the accuracy of such information. Efforts are underway to better integrate information from third parties. TI has taken and continues to take reasonable steps to provide representative and accurate information but may not have conducted destructive testing or chemical analysis on incoming materials and chemicals. TI and TI suppliers consider certain information to be proprietary, and thus CAS numbers and other limited information may not be available for release.

In no event shall TI's liability arising out of such information exceed the total purchase price of the TI part(s) at issue in this document sold by TI to Customer on an annual basis.

**TAPE AND REEL INFORMATION**

**QUADRANT ASSIGNMENTS FOR PIN 1 ORIENTATION IN TAPE**


\*All dimensions are nominal

| Device            | Package Type | Package Drawing | Pins | SPQ  | Reel Diameter (mm) | Reel Width W1 (mm) | A0 (mm) | B0 (mm) | K0 (mm) | P1 (mm) | W (mm) | Pin1 Quadrant |
|-------------------|--------------|-----------------|------|------|--------------------|--------------------|---------|---------|---------|---------|--------|---------------|
| SN74ALVTH162245GR | TSSOP        | DGG             | 48   | 2000 | 330.0              | 24.4               | 8.6     | 15.8    | 1.8     | 12.0    | 24.0   | Q1            |
| SN74ALVTH162245LR | SSOP         | DL              | 48   | 1000 | 330.0              | 32.4               | 11.35   | 16.2    | 3.1     | 16.0    | 32.0   | Q1            |
| SN74ALVTH162245VR | TVSOP        | DGV             | 48   | 2000 | 330.0              | 16.4               | 7.1     | 10.2    | 1.6     | 12.0    | 16.0   | Q1            |

**TAPE AND REEL BOX DIMENSIONS**


\*All dimensions are nominal

| Device            | Package Type | Package Drawing | Pins | SPQ  | Length (mm) | Width (mm) | Height (mm) |
|-------------------|--------------|-----------------|------|------|-------------|------------|-------------|
| SN74ALVTH162245GR | TSSOP        | DGG             | 48   | 2000 | 346.0       | 346.0      | 41.0        |
| SN74ALVTH162245LR | SSOP         | DL              | 48   | 1000 | 346.0       | 346.0      | 49.0        |
| SN74ALVTH162245VR | TVSOP        | DGV             | 48   | 2000 | 346.0       | 346.0      | 33.0        |

DL (R-PDSO-G\*\*)

PLASTIC SMALL-OUTLINE PACKAGE

48 PINS SHOWN



- NOTES: A. All linear dimensions are in inches (millimeters).  
 B. This drawing is subject to change without notice.  
 C. Body dimensions do not include mold flash or protrusion not to exceed 0.006 (0,15).  
 D. Falls within JEDEC MO-118

DGG (R-PDSO-G\*\*)

PLASTIC SMALL-OUTLINE PACKAGE

48 PINS SHOWN



- NOTES: A. All linear dimensions are in millimeters.  
 B. This drawing is subject to change without notice.  
 C. Body dimensions do not include mold protrusion not to exceed 0,15.  
 D. Falls within JEDEC MO-153

DGV (R-PDSO-G\*\*)

PLASTIC SMALL-OUTLINE

24 PINS SHOWN



4073251/E 08/00

- NOTES: A. All linear dimensions are in millimeters.  
 B. This drawing is subject to change without notice.  
 C. Body dimensions do not include mold flash or protrusion, not to exceed 0,15 per side.  
 D. Falls within JEDEC: 24/48 Pins – MO-153  
 14/16/20/56 Pins – MO-194

## IMPORTANT NOTICE

Texas Instruments Incorporated and its subsidiaries (TI) reserve the right to make corrections, modifications, enhancements, improvements, and other changes to its products and services at any time and to discontinue any product or service without notice. Customers should obtain the latest relevant information before placing orders and should verify that such information is current and complete. All products are sold subject to TI's terms and conditions of sale supplied at the time of order acknowledgment.

TI warrants performance of its hardware products to the specifications applicable at the time of sale in accordance with TI's standard warranty. Testing and other quality control techniques are used to the extent TI deems necessary to support this warranty. Except where mandated by government requirements, testing of all parameters of each product is not necessarily performed.

TI assumes no liability for applications assistance or customer product design. Customers are responsible for their products and applications using TI components. To minimize the risks associated with customer products and applications, customers should provide adequate design and operating safeguards.

TI does not warrant or represent that any license, either express or implied, is granted under any TI patent right, copyright, mask work right, or other TI intellectual property right relating to any combination, machine, or process in which TI products or services are used. Information published by TI regarding third-party products or services does not constitute a license from TI to use such products or services or a warranty or endorsement thereof. Use of such information may require a license from a third party under the patents or other intellectual property of the third party, or a license from TI under the patents or other intellectual property of TI.

Reproduction of TI information in TI data books or data sheets is permissible only if reproduction is without alteration and is accompanied by all associated warranties, conditions, limitations, and notices. Reproduction of this information with alteration is an unfair and deceptive business practice. TI is not responsible or liable for such altered documentation. Information of third parties may be subject to additional restrictions.

Resale of TI products or services with statements different from or beyond the parameters stated by TI for that product or service voids all express and any implied warranties for the associated TI product or service and is an unfair and deceptive business practice. TI is not responsible or liable for any such statements.

TI products are not authorized for use in safety-critical applications (such as life support) where a failure of the TI product would reasonably be expected to cause severe personal injury or death, unless officers of the parties have executed an agreement specifically governing such use. Buyers represent that they have all necessary expertise in the safety and regulatory ramifications of their applications, and acknowledge and agree that they are solely responsible for all legal, regulatory and safety-related requirements concerning their products and any use of TI products in such safety-critical applications, notwithstanding any applications-related information or support that may be provided by TI. Further, Buyers must fully indemnify TI and its representatives against any damages arising out of the use of TI products in such safety-critical applications.

TI products are neither designed nor intended for use in military/aerospace applications or environments unless the TI products are specifically designated by TI as military-grade or "enhanced plastic." Only products designated by TI as military-grade meet military specifications. Buyers acknowledge and agree that any such use of TI products which TI has not designated as military-grade is solely at the Buyer's risk, and that they are solely responsible for compliance with all legal and regulatory requirements in connection with such use.

TI products are neither designed nor intended for use in automotive applications or environments unless the specific TI products are designated by TI as compliant with ISO/TS 16949 requirements. Buyers acknowledge and agree that, if they use any non-designated products in automotive applications, TI will not be responsible for any failure to meet such requirements.

Following are URLs where you can obtain information on other Texas Instruments products and application solutions:

### Products

|                             |  |
|-----------------------------|--|
| Amplifiers                  | <a href="http://amplifier.ti.com">amplifier.ti.com</a>             |
| Data Converters             | <a href="http://dataconverter.ti.com">dataconverter.ti.com</a>     |
| DLP® Products               | <a href="http://www.dlp.com">www.dlp.com</a>                       |
| DSP                         | <a href="http://dsp.ti.com">dsp.ti.com</a>                         |
| Clocks and Timers           | <a href="http://www.ti.com/clocks">www.ti.com/clocks</a>           |
| Interface                   | <a href="http://interface.ti.com">interface.ti.com</a>             |
| Logic                       | <a href="http://logic.ti.com">logic.ti.com</a>                     |
| Power Mgmt                  | <a href="http://power.ti.com">power.ti.com</a>                     |
| Microcontrollers            | <a href="http://microcontroller.ti.com">microcontroller.ti.com</a> |
| RFID                        | <a href="http://www.ti-rfid.com">www.ti-rfid.com</a>               |
| RF/IF and ZigBee® Solutions | <a href="http://www.ti.com/lprf">www.ti.com/lprf</a>               |

### Applications

|                    |  |
|--------------------|--|
| Audio              | <a href="http://www.ti.com/audio">www.ti.com/audio</a>                   |
| Automotive         | <a href="http://www.ti.com/automotive">www.ti.com/automotive</a>         |
| Broadband          | <a href="http://www.ti.com/broadband">www.ti.com/broadband</a>           |
| Digital Control    | <a href="http://www.ti.com/digitalcontrol">www.ti.com/digitalcontrol</a> |
| Medical            | <a href="http://www.ti.com/medical">www.ti.com/medical</a>               |
| Military           | <a href="http://www.ti.com/military">www.ti.com/military</a>             |
| Optical Networking | <a href="http://www.ti.com/opticalnetwork">www.ti.com/opticalnetwork</a> |
| Security           | <a href="http://www.ti.com/security">www.ti.com/security</a>             |
| Telephony          | <a href="http://www.ti.com/telephony">www.ti.com/telephony</a>           |
| Video & Imaging    | <a href="http://www.ti.com/video">www.ti.com/video</a>                   |
| Wireless           | <a href="http://www.ti.com/wireless">www.ti.com/wireless</a>             |

Mailing Address: Texas Instruments, Post Office Box 655303, Dallas, Texas 75265  
Copyright © 2009, Texas Instruments Incorporated