

This document contains preview information on a new product that may be in a design phase or under development. Freescale reserves the right to change or discontinue this product without notice.

SGTL5000 Product Brief

Low-Power Stereo CODEC with Headphone Amplifier

The Low Power Stereo Codec with Headphone Amp from Freescale is designed to provide a complete audio solution for portable products needing line-in, mic-in, line-out, headphone-out, and digital I/O. Deriving its architecture from best in class Freescale integrated products that are currently on the market, the SGTL5000 is able to achieve ultra low power with very high performance and functionality, all in one of the smallest footprints available. Target markets include portable media players, GPS units and smart phones. Features such as capless headphone design and USB clocking mode (12MHz MCLK) help lower overall system cost.

Contents

1.	Benefits and Advantages	1
2.	Features	2
2.1.	Analog Inputs	2
2.2.	Analog Outputs	2
2.3.	Digital I/O	2
2.4.	Integrated Digital Processing	2
2.5.	Clocking/Control	2
2.6.	Power Supplies	2
2.7.	Package	3
	Figure 1.SGTL5000 Block Diagram	3

1 Benefits and Advantages

- High performance at low power
 - 100dB SNR @ < 9mW
- Extremely low power modes
 - 98dB SNR @ < 4mW
- Small PCB Footprint

Features

- 3mmx3mm QFN
- Audio Processing
 - Allows for no cost system customization

2 Features

2.1 Analog Inputs

- Stereo Line In
 - Support for external analog input
 - Codec bypass for low power
- MIC
 - MIC bias provided
 - Programmable MIC gain
- ADC
 - 85dB SNR and -75dB THD+N at all voltages

2.2 Analog Outputs

- DAC/Line Out
 - 100dB SNR and -88dB THD+N @ 3.3V
- HP Output/Line Output
 - 45mW max into 16 ohm load @ 3.3V
 - Capless design

2.3 Digital I/O

- I2S port to allow routing to Application Processor

2.4 Integrated Digital Processing

- SGTL Surround, SGTL Bass, tone control/ parametric equalizer/graphic equalizer

2.5 Clocking/Control

- PLL allows input of 6.144MHz to 27Mhz
- Standard audio clocks derived from PLL

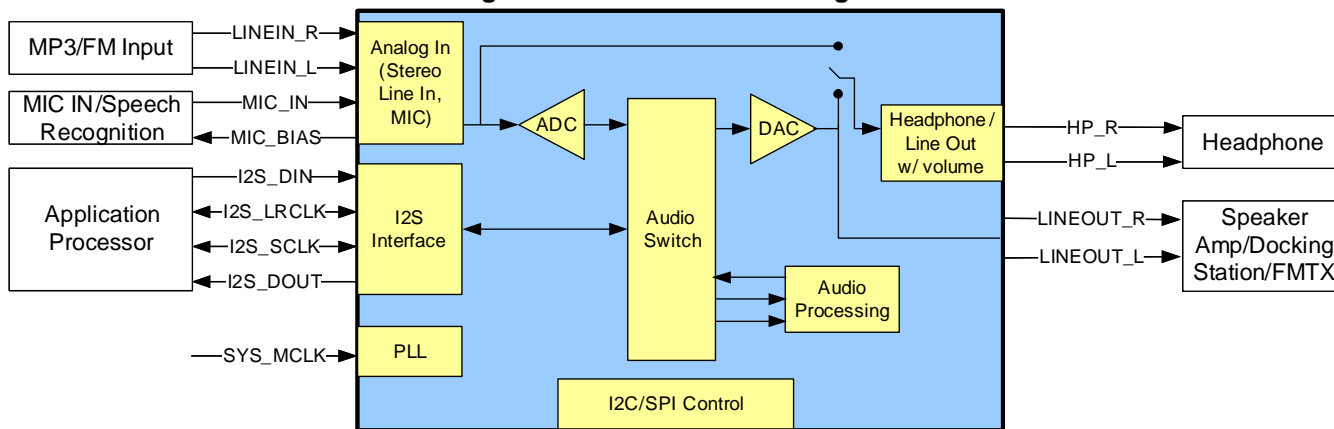
2.6 Power Supplies

- Operates from 1.62 to 3.6 volts to maximize performance while minimizing power consumption

2.7 Package

- 3mm x 3mm 20 pin QFN
- 5mm x 5mm 32 pin QFN

Figure 1. SGTL5000 Block Diagram



Note: Only I²C is supported in the 3 mm x 3 mm 20-pin QFN package option.

How to Reach Us:

Home Page:

www.freescale.com

Web Support:

<http://www.freescale.com/support>

USA/Europe or Locations Not Listed:

Freescale Semiconductor
 Technical Information Center, EL516
 2100 East Elliot Road
 Tempe, Arizona 85284
 1-800-521-6274 or +1-480-768-2130
www.freescale.com/support

Europe, Middle East, and Africa:
 Freescale Halbleiter Deutschland GmbH
 Technical Information Center
 Schatzbogen 7
 81829 Muenchen, Germany
 +44 1296 380 456 (English)
 +46 8 52200080 (English)
 +49 89 92103 559 (German)
 +33 1 69 35 48 48 (French)
www.freescale.com/support

Japan:

Freescale Semiconductor Japan Ltd.
 Headquarters
 ARCO Tower 15F
 1-8-1, Shimo-Meguro, Meguro-ku,
 Tokyo 153-0064
 Japan
 0120 191014 or +81 3 5437 9125
support.japan@freescale.com

Asia/Pacific:

Freescale Semiconductor China Ltd.
 Exchange Building 23F
 No. 118 Jianguo Road
 Chaoyang District
 Beijing 100022
 China
 +86 10 5879 8000
support.asia@freescale.com

For Literature Requests Only:

Freescale Semiconductor Literature Distribution Center
 P.O. Box 5405
 Denver, Colorado 80217
 1-800-441-2447 or +303-675-2140
 Fax: +303-675-2150
LDCForFreescaleSemiconductor@hibbertgroup.com

Document Number: SGT5000PB
 Rev. 2
 11/2008

Information in this document is provided solely to enable system and software implementers to use Freescale Semiconductor products. There are no express or implied copyright licenses granted hereunder to design or fabricate any integrated circuits or integrated circuits based on the information in this document.

Freescale Semiconductor reserves the right to make changes without further notice to any products herein. Freescale Semiconductor makes no warranty, representation or guarantee regarding the suitability of its products for any particular purpose, nor does Freescale Semiconductor assume any liability arising out of the application or use of any product or circuit, and specifically disclaims any and all liability, including without limitation consequential or incidental damages. "Typical" parameters that may be provided in Freescale Semiconductor data sheets and/or specifications can and do vary in different applications and actual performance may vary over time. All operating parameters, including "Typicals", must be validated for each customer application by customer's technical experts. Freescale Semiconductor does not convey any license under its patent rights nor the rights of others. Freescale Semiconductor products are not designed, intended, or authorized for use as components in systems intended for surgical implant into the body, or other applications intended to support or sustain life, or for any other application in which the failure of the Freescale Semiconductor product could create a situation where personal injury or death may occur. Should Buyer purchase or use Freescale Semiconductor products for any such unintended or unauthorized application, Buyer shall indemnify and hold Freescale Semiconductor and its officers, employees, subsidiaries, affiliates, and distributors harmless against all claims, costs, damages, and expenses, and reasonable attorney fees arising out of, directly or indirectly, any claim of personal injury or death associated with such unintended or unauthorized use, even if such claim alleges that Freescale Semiconductor was negligent regarding the design or manufacture of the part.

Freescale and the Freescale logo are trademarks or registered trademarks of Freescale Semiconductor, Inc. in the U.S. and other countries. All other product or service names are the property of their respective owners. The Power Architecture and Power.org word marks and the Power and Power.org logos and related marks are trademarks and service marks licensed by Power.org.

© Freescale Semiconductor, Inc., 2008. All rights reserved.

