

SCAN921023 and SCAN921224 20-66 MHz 10 Bit Bus LVDS Serializer and Deserializer with IEEE 1149.1 (JTAG) and at-speed BIST

Check for Samples: [SCAN921023](#), [SCAN921224](#)

FEATURES

- **IEEE 1149.1 (JTAG) Compliant and At-Speed BIST Test Mode**
- **Clock Recovery From PLL Lock to Random Data Patterns**
- **Ensured Transition Every Data Transfer Cycle**
- **Chipset (Tx + Rx) Power Consumption < 500 mW (typ) @ 66 MHz**
- **Single Differential Pair Eliminates Multi-Channel Skew**
- **Flow-Through Pinout for Easy PCB Layout**
- **660 Mbps Serial Bus LVDS Data Rate (at 66 MHz Clock)**
- **10-bit Parallel Interface for 1 Byte Data Plus 2 Control Bits**
- **Synchronization Mode and LOCK Indicator**
- **Programmable Edge Trigger on Clock**
- **High Impedance on Receiver Inputs when Power is Off**
- **Bus LVDS Serial Output Rated for 27Ω Load**
- **Small 49-Lead NFBGA Package**

DESCRIPTION

The SCAN921023 transforms a 10-bit wide parallel LVCMOS/LVTTL data bus into a single high speed Bus LVDS serial data stream with embedded clock. The SCAN921224 receives the Bus LVDS serial data stream and transforms it back into a 10-bit wide parallel data bus and recovers parallel clock. Both devices are compliant with IEEE 1149.1 Standard Test Access Port and Boundary Scan Architecture with the incorporation of the defined boundary-scan test logic and test access port consisting of Test Data Input (TDI), Test Data Out (TDO), Test Mode Select (TMS), Test Clock (TCK), and the optional Test Reset (TRST). IEEE 1149.1 features provide the designer or test engineer access to the backplane or cable interconnects and the ability to verify differential signal integrity to enhance their system test strategy. The pair of devices also features an at-speed BIST mode which allows the interconnects between the Serializer and Deserializer to be verified at-speed.

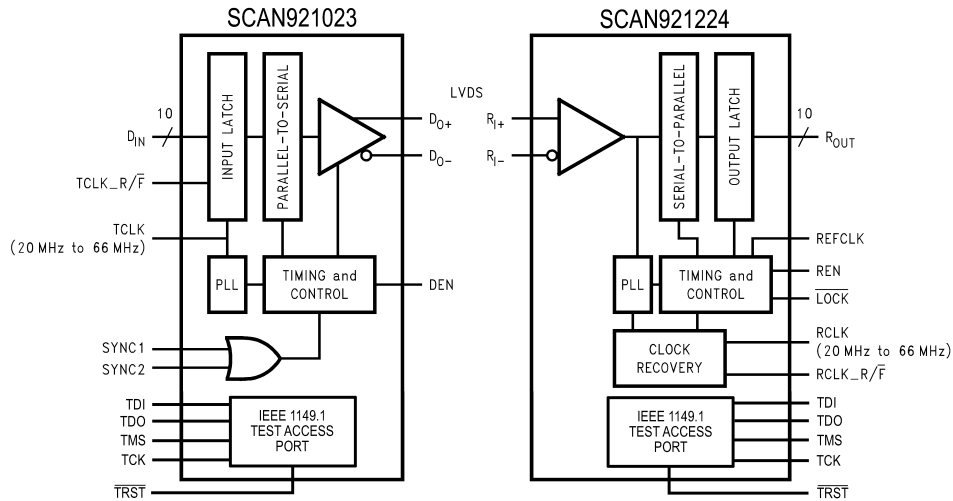
The SCAN921023 transmits data over backplanes or cable. The single differential pair data path makes PCB design easier. In addition, the reduced cable, PCB trace count, and connector size tremendously reduce cost. Since one output transmits clock and data bits serially, it eliminates clock-to-data and data-to-data skew. The powerdown pin saves power by reducing supply current when not using either device. Upon power up of the Serializer, you can choose to activate synchronization mode or allow the Deserializer to use the synchronization-to-random-data feature. By using the synchronization mode, the Deserializer will establish lock to a signal within specified lock times. In addition, the embedded clock ensures a transition on the bus every 12-bit cycle. This eliminates transmission errors due to charged cable conditions. Furthermore, you may put the SCAN921023 output pins into TRI-STATE to achieve a high impedance state. The PLL can lock to frequencies between 20 MHz and 66 MHz.



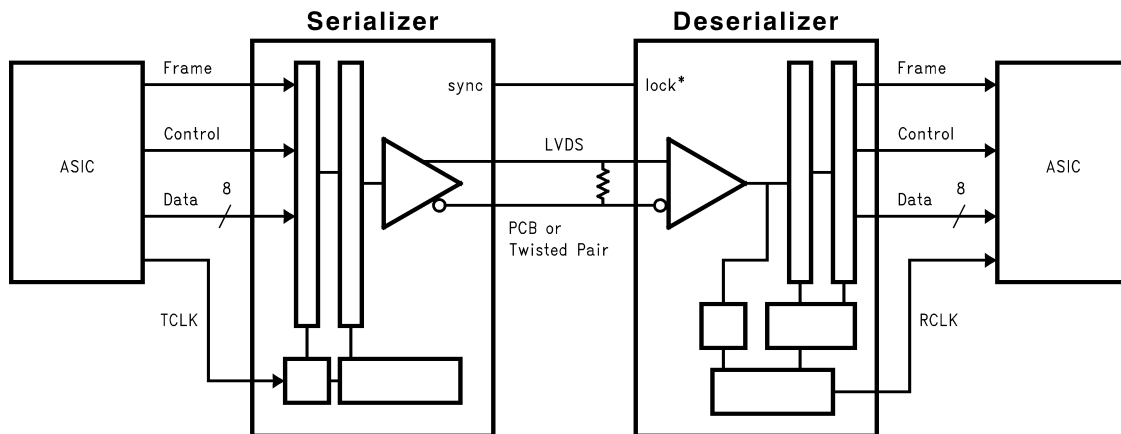
Please be aware that an important notice concerning availability, standard warranty, and use in critical applications of Texas Instruments semiconductor products and disclaimers thereto appears at the end of this data sheet.

All trademarks are the property of their respective owners.

BLOCK DIAGRAMS



Application



FUNCTIONAL DESCRIPTION

The SCAN921023 and SCAN921224 are a 10-bit Serializer and Deserializer chipset designed to transmit data over differential backplanes at clock speeds from 20 to 66 MHz. The chipset is also capable of driving data over Unshielded Twisted Pair (UTP) cable.

The chipset has three active states of operation: Initialization, Data Transfer, and Resynchronization; and two passive states: Powerdown and TRI-STATE. In addition to the active and passive states, there are also test modes for JTAG access and at-speed BIST.

The following sections describe each operation and passive state and the test modes.

Initialization

Initialization of both devices must occur before data transmission begins. Initialization refers to synchronization of the Serializer and Deserializer PLL's to local clocks, which may be the same or separate. Afterwards, synchronization of the Deserializer to Serializer occurs.

Step 1: When you apply V_{CC} to both Serializer and/or Deserializer, the respective outputs enter TRI-STATE, and on-chip power-on circuitry disables internal circuitry. When V_{CC} reaches V_{CCOK} (2.5V) the PLL in each device begins locking to a local clock. For the Serializer, the local clock is the transmit clock (TCLK) provided by the source ASIC or other device. For the Deserializer, you must apply a local clock to the REFCLK pin.

The Serializer outputs remain in TRI-STATE while the PLL locks to the TCLK. After locking to TCLK, the Serializer is now ready to send data or SYNC patterns, depending on the levels of the SYNC1 and SYNC2 inputs or a data stream. The SYNC pattern sent by the Serializer consists of six ones and six zeros switching at the input clock rate.

Note that the Deserializer \overline{LOCK} output will remain high while its PLL locks to the incoming data or to SYNC patterns on the input.

Step 2: The Deserializer PLL must synchronize to the Serializer to complete initialization. The Deserializer will lock to non-repetitive data patterns. However, the transmission of SYNC patterns enables the Deserializer to lock to the Serializer signal within a specified time. See [Figure 11](#).

The user's application determines control of the SYNC1 and SYNC 2 pins. One recommendation is a direct feedback loop from the \overline{LOCK} pin. Under all circumstances, the Serializer stops sending SYNC patterns after both SYNC inputs return low.

When the Deserializer detects edge transitions at the Bus LVDS input, it will attempt to lock to the embedded clock information. When the Deserializer locks to the Bus LVDS clock, the \overline{LOCK} output will go low. When \overline{LOCK} is low, the Deserializer outputs represent incoming Bus LVDS data.

Data Transfer

After initialization, the Serializer will accept data from inputs DIN0–DIN9. The Serializer uses the TCLK input to latch incoming Data. The TCLK_R/ \overline{F} pin selects which edge the Serializer uses to strobe incoming data. TCLK_R/ \overline{F} high selects the rising edge for clocking data and low selects the falling edge. If either of the SYNC inputs is high for 5*TCLK cycles, the data at DIN0–DIN9 is ignored regardless of clock edge.

After determining which clock edge to use, a start and stop bit, appended internally, frame the data bits in the register. The start bit is always high and the stop bit is always low. The start and stop bits function as the embedded clock bits in the serial stream.

The Serializer transmits serialized data and clock bits (10+2 bits) from the serial data output (DO_{\pm}) at 12 times the TCLK frequency. For example, if TCLK is 66 MHz, the serial rate is $66 \times 12 = 792$ Mega-bits-per-second. Since only 10 bits are from input data, the serial "payload" rate is 10 times the TCLK frequency. For instance, if TCLK = 66 MHz, the payload data rate is $66 \times 10 = 660$ Mbps. The data source provides TCLK and must be in the range of 20 MHz to 66 MHz nominal.

The Serializer outputs (DO_{\pm}) can drive a point-to-point connection or in limited multi-point or multi-drop backplanes. The outputs transmit data when the enable pin (DEN) is high, $\overline{PWRDN} =$ high, and SYNC1 and SYNC2 are low. When DEN is driven low, the Serializer output pins will enter TRI-STATE.

When the Deserializer synchronizes to the Serializer, the $\overline{\text{LOCK}}$ pin is low. The Deserializer locks to the embedded clock and uses it to recover the serialized data. ROUT data is valid when $\overline{\text{LOCK}}$ is low. Otherwise ROUT0–ROUT9 is invalid.

The ROUT0–ROUT9 pins use the RCLK pin as the reference to data. The polarity of the RCLK edge is controlled by the RCLK_R/F input. See [Figure 15](#).

ROUT(0-9), $\overline{\text{LOCK}}$ and RCLK outputs will drive a maximum of three CMOS input gates (15 pF load) with a 66 MHz clock.

Resynchronization

When the Deserializer PLL locks to the embedded clock edge, the Deserializer $\overline{\text{LOCK}}$ pin asserts a low. If the Deserializer loses lock, the $\overline{\text{LOCK}}$ pin output will go high and the outputs (including RCLK) will enter TRI-STATE.

The user's system monitors the $\overline{\text{LOCK}}$ pin to detect a loss of synchronization. Upon detection, the system can arrange to pulse the Serializer SYNC1 or SYNC2 pin to resynchronize. Multiple resynchronization approaches are possible. One recommendation is to provide a feedback loop using the $\overline{\text{LOCK}}$ pin itself to control the sync request of the Serializer (SYNC1 or SYNC2). Dual SYNC pins are provided for multiple control in a multi-drop application. Sending sync patterns for resynchronization is desirable when lock times within a specific time are critical. However, the Deserializer can lock to random data, which is discussed in the next section.

Random Lock Initialization and Resynchronization

The initialization and resynchronization methods described in their respective sections are the fastest ways to establish the link between the Serializer and Deserializer. However, the SCAN921224 can attain lock to a data stream without requiring the Serializer to send special SYNC patterns. This allows the SCAN921224 to operate in “open-loop” applications. Equally important is the Deserializer's ability to support hot insertion into a running backplane. In the open loop or hot insertion case, we assume the data stream is essentially random. Therefore, because lock time varies due to data stream characteristics, we cannot possibly predict exact lock time. However, please see [Table 1](#) for some general random lock times under specific conditions. The primary constraint on the “random” lock time is the initial phase relation between the incoming data and the REFCLK when the Deserializer powers up. As described in the next paragraph, the data contained in the data stream can also affect lock time.

If a specific pattern is repetitive, the Deserializer could enter “false lock” - falsely recognizing the data pattern as the clocking bits. We refer to such a pattern as a repetitive multi-transition, RMT. This occurs when more than one Low-High transition takes place in a clock cycle over multiple cycles. This occurs when any bit, except DIN 9, is held at a low state and the adjacent bit is held high, creating a 0-1 transition. In the worst case, the Deserializer could become locked to the data pattern rather than the clock. Circuitry within the SCAN921224 can detect that the possibility of “false lock” exists. The circuitry accomplishes this by detecting more than one potential position for clocking bits. Upon detection, the circuitry will prevent the $\overline{\text{LOCK}}$ output from becoming active until the potential “false lock” pattern changes. The false lock detect circuitry expects the data will eventually change, causing the Deserializer to lose lock to the data pattern and then continue searching for clock bits in the serial data stream. Graphical representations of RMT are shown in [Figure 1](#). Please note that RMT only applies to bits DIN0–DIN8.

Powerdown

When no data transfer occurs, you can use the Powerdown state. The Serializer and Deserializer use the Powerdown state, a low power sleep mode, to reduce power consumption. The Deserializer enters Powerdown when you drive $\overline{\text{PWRDN}}$ and REN low. The Serializer enters Powerdown when you drive $\overline{\text{PWRDN}}$ low. In Powerdown, the PLL stops and the outputs enter TRI-STATE, which disables load current and reduces supply current to the milliampere range. To exit Powerdown, you must drive the $\overline{\text{PWRDN}}$ pin high.

Before valid data exchanges between the Serializer and Deserializer, you must reinitialize and resynchronize the devices to each other. Initialization of the Serializer takes 510 TCLK cycles. The Deserializer will initialize and assert $\overline{\text{LOCK}}$ high until lock to the Bus LVDS clock occurs.

TRI-STATE

The Serializer enters TRI-STATE when the DEN pin is driven low. This puts both driver output pins (DO+ and DO-) into TRI-STATE. When you drive DEN high, the Serializer returns to the previous state, as long as all other control pins remain static (SYNC1, SYNC2, PWRDN, TCLK_R/F).

When you drive the REN pin low, the Deserializer enters TRI-STATE. Consequently, the receiver output pins (ROUT0-ROUT9) and RCLK will enter TRI-STATE. The LOCK output remains active, reflecting the state of the PLL.

Table 1. Random Lock Times for the SCAN921224⁽¹⁾

| | 66 MHz | Units |
|-------------|---|-------|
| Maximum | 18 | μS |
| Mean | 3.0 | μS |
| Minimum | 0.43 | μS |
| Conditions: | PRBS 2 ¹⁵ , V _{CC} = 3.3V | |

(1) Difference in lock times are due to different starting points in the data pattern with multiple parts.

Test Modes

In addition to the IEEE 1149.1 test access to the digital TTL pins, the SCAN921023 and SCAN921224 have two instructions to test the LVDS interconnects. The first is EXTEST. This is implemented at LVDS levels and is only intended as a go no-go test (e.g. missing cables). The second method is the RUNBIST instruction. It is an "at-system-speed" interconnect test. It is executed in approximately 33mS with a system clock speed of 66MHz. There are two bits in the RX BIST data register for notification of PASS/FAIL and TEST_COMPLETE. Pass indicates that the BER (Bit-Error-Rate) is better than 10⁻⁷.

An important detail is that once both devices have the RUNBIST instruction loaded into their respective instruction registers, both devices must move into the RTI state within 4K system clocks (At a SCLK of 66Mhz and TCK of 1MHz this allows for 66 TCK cycles). This is not a concern when both devices are on the same scan chain or LSP, however, it can be a problem with some multi-drop devices. This test mode has been simulated and verified using TI's SCANSTA111.

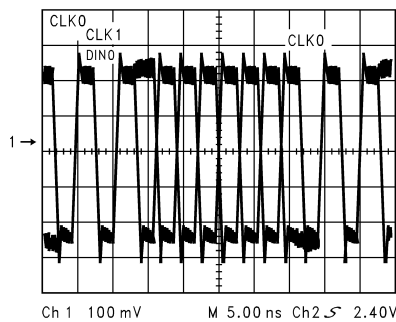


Figure 1. DIN0 Held Low-DIN1 Held High Creates an RMT Pattern

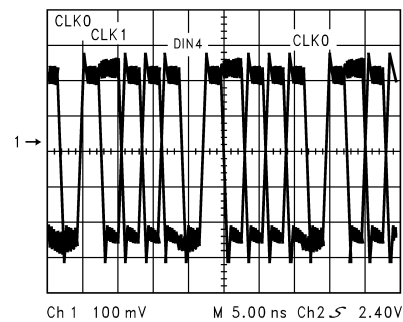


Figure 2. DIN4 Held Low-DIN5 Held High Creates an RMT Pattern

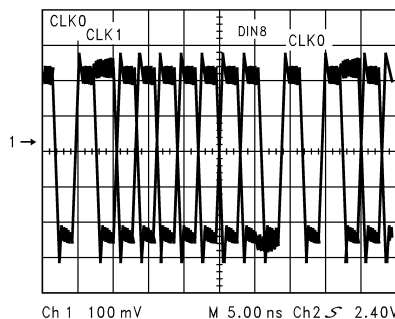


Figure 3. DIN8 Held Low-DIN9 Held High Creates an RMT Pattern



This integrated circuit can be damaged by ESD. Texas Instruments recommends that all integrated circuits be handled with appropriate precautions. Failure to observe proper handling and installation procedures can cause damage.

ESD damage can range from subtle performance degradation to complete device failure. Precision integrated circuits may be more susceptible to damage because very small parametric changes could cause the device not to meet its published specifications.

ABSOLUTE MAXIMUM RATINGS⁽¹⁾⁽²⁾

| | | |
|--|------------------------|------------------------------|
| Supply Voltage (V_{CC}) | | -0.3V to +4V |
| LVCMOS/LVTTL Input Voltage | | -0.3V to ($V_{CC} + 0.3V$) |
| LVCMOS/LVTTL Output Voltage | | -0.3V to ($V_{CC} + 0.3V$) |
| Bus LVDS Receiver Input Voltage | | -0.3V to +3.9V |
| Bus LVDS Driver Output Voltage | | -0.3V to +3.9V |
| Bus LVDS Output Short Circuit Duration | | 10mS |
| Junction Temperature | | +150°C |
| Storage Temperature | | -65°C to +150°C |
| Lead Temperature | (Soldering, 4 seconds) | +260°C |
| Maximum Package Power Dissipation Capacity @ 25°C Package: | 49L NFBGA | 1.47 W |
| Package Derating: | | 11.8 mW/°C above |
| 49L NFBGA | | +25°C |
| θ_{ja} | | 85°C/W |
| ESD Rating | HBM | >2kV |
| | MM | > 250V |

- (1) Absolute Maximum Ratings are those values beyond which the safety of the device cannot be specified. They are not meant to imply that the devices should be operated at these limits. The table of [ELECTRICAL CHARACTERISTICS](#) specifies conditions of device operation.
- (2) If Military/Aerospace specified devices are required, please contact the Texas Instruments Sales Office/Distributors for availability and specifications.

RECOMMENDED OPERATING CONDITIONS

| | Min | Nom | Max | Units |
|--|-----------------------|-----|-----|-------|
| Supply Voltage (V_{CC}) | 3.0 | 3.3 | 3.6 | V |
| Operating Free Air Temperature (T_A) | -40 | +25 | +85 | °C |
| Receiver Input Range | 0 | | 2.4 | V |
| Supply Noise Voltage (V_{CC}) | 100 mV _{P-P} | | | |

ELECTRICAL CHARACTERISTICS

Over recommended operating supply and temperature ranges unless otherwise specified.

| Symbol | Parameter | Test Conditions | Min | Typ | Max | Units |
|--|--|---|--------------------------|-----------|-----------------|----------|
| SERIALIZER LVCMOS/LVTTL DC SPECIFICATIONS (apply to DIN0-9, TCLK, PWRDN, TCLK_R/F, SYNC1, SYNC2, DEN) | | | | | | |
| V _{IH} | High Level Input Voltage | | 2.0 | | V _{CC} | V |
| V _{IL} | Low Level Input Voltage | | GND | | 0.8 | V |
| V _{CL} | Input Clamp Voltage | I _{CL} = -18 mA | | -0.86 | -1.5 | V |
| I _{IN} | Input Current | V _{IN} = 0V or 3.6V | -10 | ±1 | +10 | µA |
| DESERIALIZER LVCMOS/LVTTL DC SPECIFICATIONS (apply to pins PWRDN, RCLK_R/F, REN, REFCLK = inputs; apply to pins ROUT, RCLK, LOCK = outputs) | | | | | | |
| V _{IH} | High Level Input Voltage | | 2.0 | | V _{CC} | V |
| V _{IL} | Low Level Input Voltage | | GND | | 0.8 | V |
| V _{CL} | Input Clamp Voltage | I _{CL} = -18 mA | | -0.62 | -1.5 | V |
| I _{IN} | Input Current | V _{IN} = 0V or 3.6V | -10 | ±1 | +15 | µA |
| I _{ILR} | Input Current, TMS, TDI, TRST inputs | V _{IN} = 0V or 3.6V | -20 | -10 | | µA |
| V _{OH} | High Level Output Voltage | I _{OH} = -9 mA | 2.2 | 3.0 | V _{CC} | V |
| V _{OL} | Low Level Output Voltage | I _{OL} = 9 mA | GND | 0.25 | 0.5 | V |
| I _{OS} | Output Short Circuit Current | V _{OUT} = 0V | -15 | -47 | -85 | mA |
| I _{OS} | Output Short Circuit Current, TDO output | | -15 | -70 | -100 | mA |
| I _{OZ} | TRI-STATE Output Current | PWRDN or REN = 0.8V, V _{OUT} = 0V or V _{CC} | -10 | ±0.1 | +10 | µA |
| SERIALIZER Bus LVDS DC SPECIFICATIONS (apply to pins DO+ and DO-) | | | | | | |
| V _{OD} | Output Differential Voltage (DO+)-(DO-) | RL = 27Ω, see Figure 20 | 200 | 290 | | mV |
| ΔV _{OD} | Output Differential Voltage Unbalance | | | | 35 | mV |
| V _{OS} | Offset Voltage | | 1.05 | 1.1 | 1.3 | V |
| ΔV _{OS} | Offset Voltage Unbalance | | | 4.8 | 35 | mV |
| I _{OS} | Output Short Circuit Current | DO = 0V, DIN = High, PWRDN and DEN = 2.4V | | -56 | -90 | mA |
| I _{OZ} | TRI-STATE Output Current | PWRDN or DEN = 0.8V, DO = 0V or V _{CC} | -10 | ±1 | +10 | µA |
| I _{OX} | Power-Off Output Current | V _{CC} = 0V, DO=0V or 3.6V | -20 | ±1 | +25 | µA |
| DESERIALIZER Bus LVDS DC SPECIFICATIONS (apply to pins RI+ and RI-) | | | | | | |
| V _{TH} | Differential Threshold High Voltage | V _{CM} = +1.1V | | +6 | +50 | mV |
| V _{TL} | Differential Threshold Low Voltage | | -50 | -12 | | mV |
| I _{IN} | Input Current | V _{IN} = +2.4V, V _{CC} = 3.6V or 0V | -10 | ±1 | +15 | µA |
| | | V _{IN} = 0V, V _{CC} = 3.6V or 0V | -10 | ±0.05 | +10 | µA |
| SERIALIZER SUPPLY CURRENT (apply to pins DVCC and AVCC) | | | | | | |
| I _{CCD} | Serializer Supply Current Worst Case | RL = 27Ω See Figure 4 | f = 20 MHz f = 66 MHz | 47 75 | 60 90 | mA mA |
| I _{CCXD} | Serializer Supply Current Powerdown | PWRDN = 0.8V | | 47 | 500 | µA |
| DESERIALIZER SUPPLY CURRENT (apply to pins DVCC and AVCC) | | | | | | |
| I _{CCR} | Deserializer Supply Current Worst Case | C _L = 15 pF See Figure 5 | f = 20 MHz f = 66 MHz | 58 110 | 75 130 | mA mA |
| I _{CCXR} | Deserializer Supply Current Powerdown | PWRDN = 0.8V, REN = 0.8V | | 0.36 | 1.0 | mA |

SERIALIZER TIMING REQUIREMENTS FOR TCLK

Over recommended operating supply and temperature ranges unless otherwise specified.

| Symbol | Parameter | Conditions | Min | Typ | Max | Units |
|-------------------|----------------------------|---------------|-------|------|------|----------|
| t _{TCP} | Transmit Clock Period | | 15.15 | T | 50.0 | nS |
| t _{TCH} | Transmit Clock High Time | | 0.4T | 0.5T | 0.6T | nS |
| t _{TCL} | Transmit Clock Low Time | | 0.4T | 0.5T | 0.6T | nS |
| t _{CLKT} | TCLK Input Transition Time | | | 3 | 6 | nS |
| t _{JIT} | TCLK Input Jitter | See Figure 19 | | | 150 | pS (RMS) |

SERIALIZER SWITCHING CHARACTERISTICS

Over recommended operating supply and temperature ranges unless otherwise specified.

| Symbol | Parameter | Conditions | Min | Typ | Max | Units | |
|-------------------|--------------------------------------|---|------------------------|------------------------|------------------------|----------|----|
| t _{LLHT} | Bus LVDS Low-to-High Transition Time | R _L = 27Ω C _L = 10pF to GND ⁽¹⁾ See Figure 6 | | 0.2 | 0.4 | nS | |
| t _{LHLT} | Bus LVDS High-to-Low Transition Time | | | 0.25 | 0.4 | nS | |
| t _{DIS} | DIN (0-9) Setup to TCLK | R _L = 27Ω, C _L = 10pF to GND See Figure 9 | 0 | | | nS | |
| t _{DIH} | DIN (0-9) Hold from TCLK | | 4.0 | | | nS | |
| t _{HZD} | DO ± HIGH to TRI-STATE Delay | R _L = 27Ω, C _L = 10pF to GND ⁽²⁾ See Figure 10 | | 3 | 10 | nS | |
| t _{LZD} | DO ± LOW to TRI-STATE Delay | | | 3 | 10 | nS | |
| t _{ZHD} | DO ± TRI-STATE to HIGH Delay | | | 5 | 10 | nS | |
| t _{ZLD} | DO ± TRI-STATE to LOW Delay | | | 6.5 | 10 | nS | |
| t _{SPW} | SYNC Pulse Width | R _L = 27Ω See Figure 12 | 5*t _{TCP} | | | nS | |
| t _{PLD} | Serializer PLL Lock Time | | 510*t _{TCP} | | 513*t _{TCP} | nS | |
| t _{SD} | Serializer Delay | R _L = 27Ω, see Figure 13 | t _{TCP} + 1.0 | t _{TCP} + 2.5 | t _{TCP} + 3.5 | nS | |
| t _{DJIT} | Deterministic Jitter | R _L = 27Ω, C _L = 10pF to GND ⁽³⁾ | 20 MHz | -300 | -135 | 35 | pS |
| | | | 66 MHz | -245 | -40 | 160 | pS |
| t _{RJIT} | Random Jitter | R _L = 27Ω, C _L = 10pF to GND | | 19 | 25 | pS (RMS) | |

(1) t_{LLHT} and t_{LHLT} specifications are specified by design using statistical analysis.

(2) Because the Serializer is in TRI-STATE mode, the Deserializer will lose PLL lock and have to resynchronize before data transfer.

(3) t_{DJIT} specifications are specified by design using statistical analysis.

DESERIALIZER TIMING REQUIREMENTS FOR REFCLK

Over recommended operating supply and temperature ranges unless otherwise specified.

| Symbol | Parameter | Conditions | Min | Typ | Max | Units |
|--------------------------------------|-------------------------|------------|-------|-----|-----|-------|
| t _{RFCP} | REFCLK Period | | 15.15 | T | 50 | nS |
| t _{RFDC} | REFCLK Duty Cycle | | 30 | 50 | 70 | % |
| t _{RFCP} / t _{TCP} | Ratio of REFCLK to TCLK | | 95 | 1 | 105 | |
| t _{RFTT} | REFCLK Transition Time | | | 3 | 6 | nS |

DESERIALIZER SWITCHING CHARACTERISTICS

Over recommended operating supply and temperature ranges unless otherwise specified.

| Symbol | Parameter | Conditions | Pin/Freq. | Min | Typ | Max | Units |
|------------|---|--------------------------------------|---|--|----------------------------|----------------------------|---------|
| t_{RCP} | Receiver out Clock Period | $t_{RCP} = t_{TCP}$ See Figure 13 | RCLK | 15.15 | | 50 | nS |
| t_{CLH} | CMOS/TTL Low-to-High Transition Time | CL = 15 pF See Figure 7 | Rout(0-9), \overline{LOCK} , RCLK | | 1.2 | 4 | nS |
| t_{CHL} | CMOS/TTL High-to-Low Transition Time | | | | 1.1 | 4 | nS |
| t_{DD} | Deserializer Delay See Figure 14 | All Temp./ All Freq. | | $1.75 \cdot t_{RCP} + 1.25$ | $1.75 \cdot t_{RCP} + 5.0$ | $1.75 \cdot t_{RCP} + 7.5$ | nS |
| | | Room Temp./3.3V/20MHz | | $1.75 \cdot t_{RCP} + 2.25$ | $1.75 \cdot t_{RCP} + 5.0$ | $1.75 \cdot t_{RCP} + 6.5$ | nS |
| | | Room Temp./3.3V/66MHz | | $1.75 \cdot t_{RCP} + 2.25$ | $1.75 \cdot t_{RCP} + 5.0$ | $1.75 \cdot t_{RCP} + 6.5$ | nS |
| t_{ROS} | ROUT Data Valid before RCLK | See Figure 15 | RCLK 20MHz | $0.4 \cdot t_{RCP}$ | $0.5 \cdot t_{RCP}$ | | nS |
| | | | RCLK 66MHz | $0.38 \cdot t_{RCP}$ | $0.5 \cdot t_{RCP}$ | | nS |
| t_{ROH} | ROUT Data valid after RCLK | See Figure 15 | 20MHz | $-0.4 \cdot t_{RCP}$ | $-0.5 \cdot t_{RCP}$ | | nS |
| | | | 66MHz | $-0.38 \cdot t_{RCP}$ | $-0.5 \cdot t_{RCP}$ | | nS |
| t_{RDC} | RCLK Duty Cycle | | | 45 | 50 | 55 | % |
| t_{HZR} | HIGH to TRI-STATE Delay | See Figure 16 | Rout(0-9) | | 2.8 | 10 | nS |
| t_{LZR} | LOW to TRI-STATE Delay | | | | 2.8 | 10 | nS |
| t_{ZHR} | TRI-STATE to HIGH Delay | | | | 4.2 | 10 | nS |
| t_{ZLR} | TRI-STATE to LOW Delay | | | | 4.2 | 10 | nS |
| t_{DSR1} | Deserializer PLL Lock Time from PWRDWN (with SYNCPAT) | | | See Figure 17 and Figure 18 ⁽¹⁾ | 20MHz | | 2.6 |
| | | 66MHz | | | 0.84 | 3 | μ S |
| t_{DSR2} | Deserializer PLL Lock time from SYNCPAT | | 20MHz | | 1 | 2 | μ S |
| | | | 66MHz | | 0.29 | 0.8 | μ S |
| t_{ZHLK} | TRI-STATE to HIGH Delay (power-up) | | \overline{LOCK} | | 3.7 | 12 | nS |
| t_{RNM} | Deserializer Noise Margin | See Figure 19 ⁽²⁾ | 20 MHz | 1.0 | 1.6 | | nS |
| | | | 66 MHz | 250 | 400 | | pS |

(1) For the purpose of specifying deserializer PLL performance, t_{DSR1} and t_{DSR2} are specified with the REFCLK running and stable, and with specific conditions for the incoming data stream (SYNCPATs). It is recommended that the deserializer be initialized using either t_{DSR1} timing or t_{DSR2} timing. t_{DSR1} is the time required for the deserializer to indicate lock upon power-up or when leaving the power-down mode. Synchronization patterns should be sent to the device before initiating either condition. t_{DSR2} is the time required to indicate lock for the powered-up and enabled deserializer when the input (RI+ and RI-) conditions change from not receiving data to receiving synchronization patterns (SYNCPATs).

(2) t_{RNM} is a measure of how much phase noise (jitter) the deserializer can tolerate in the incoming data stream before bit errors occur. The Deserializer Noise Margin is specified by design using statistical analysis.

SCAN CIRCUITRY TIMING REQUIREMENTS

| Symbol | Parameter | Conditions | Min | Typ | Max | Units |
|-----------|---|-----------------------------------|------|------|-----|-------|
| f_{MAX} | Maximum TCK Clock Frequency | $R_L = 500\Omega$, $C_L = 35$ pF | 25.0 | 50.0 | | MHz |
| t_S | TDI to TCK, H or L | | 1.0 | | | ns |
| t_H | TDI to TCK, H or L | | 2.0 | | | ns |
| t_S | TMS to TCK, H or L | | 2.5 | | | ns |
| t_H | TMS to TCK, H or L | | 1.5 | | | ns |
| t_W | TCK Pulse Width, H or L | | 10.0 | | | ns |
| t_W | \overline{TRST} Pulse Width, L | | 2.5 | | | ns |
| t_{REC} | Recovery Time, \overline{TRST} to TCK | | 2.0 | | | ns |

AC TIMING DIAGRAMS AND TEST CIRCUITS

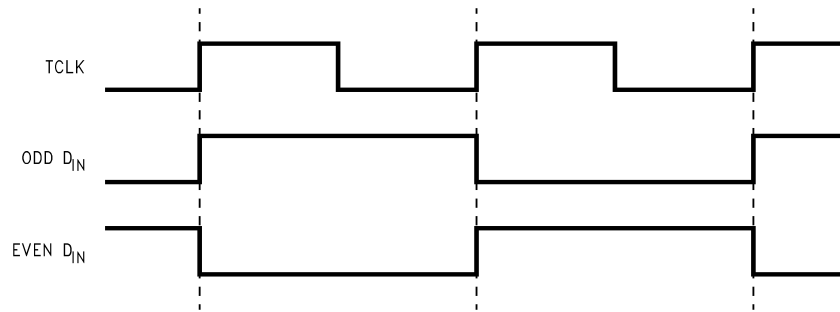


Figure 4. “Worst Case” Serializer ICC Test Pattern

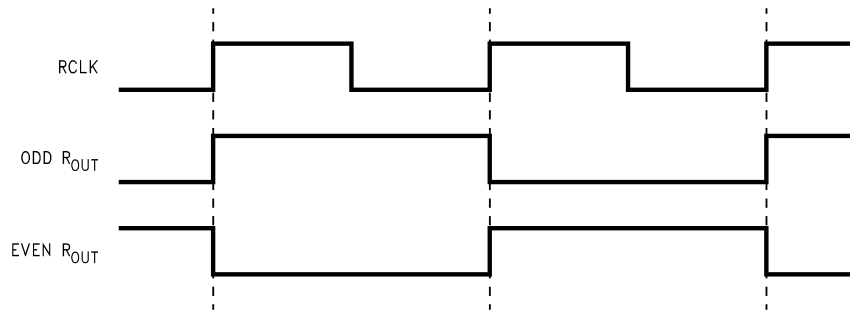


Figure 5. “Worst Case” Deserializer ICC Test Pattern

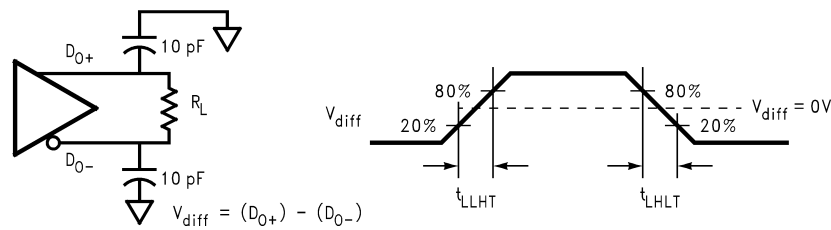


Figure 6. Serializer Bus LVDS Output Load and Transition Times

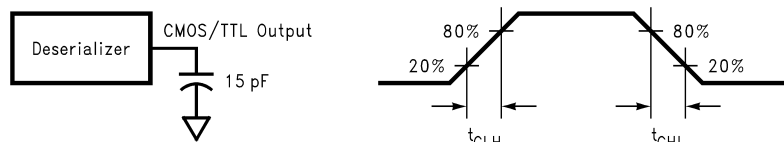


Figure 7. Deserializer CMOS/TTL Output Load and Transition Times

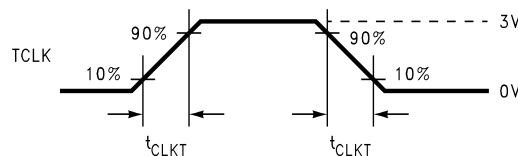
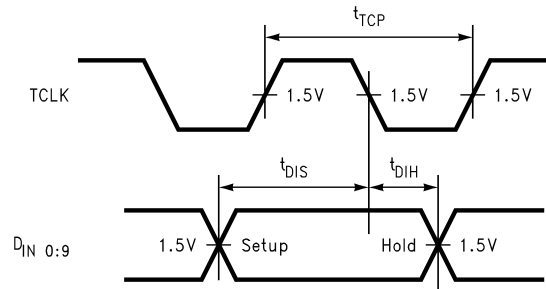


Figure 8. Serializer Input Clock Transition Time



Timing shown for TCLK_R/F = LOW

Figure 9. Serializer Setup/Hold Times

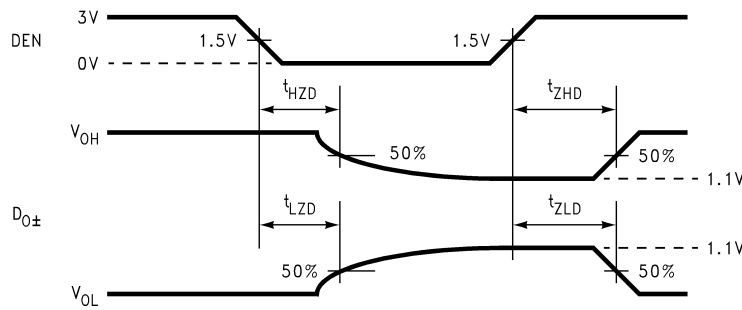
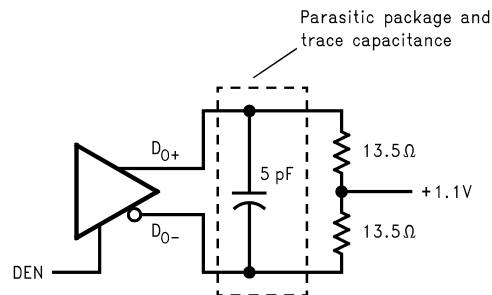


Figure 10. Serializer TRI-STATE Test Circuit and Timing

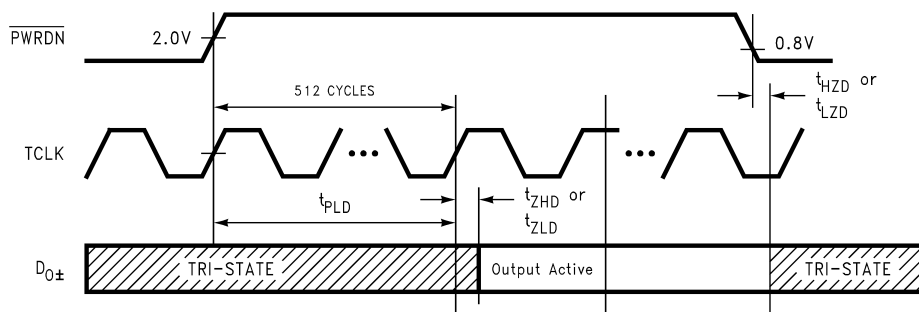


Figure 11. Serializer PLL Lock Time, and PWRDN TRI-STATE Delays

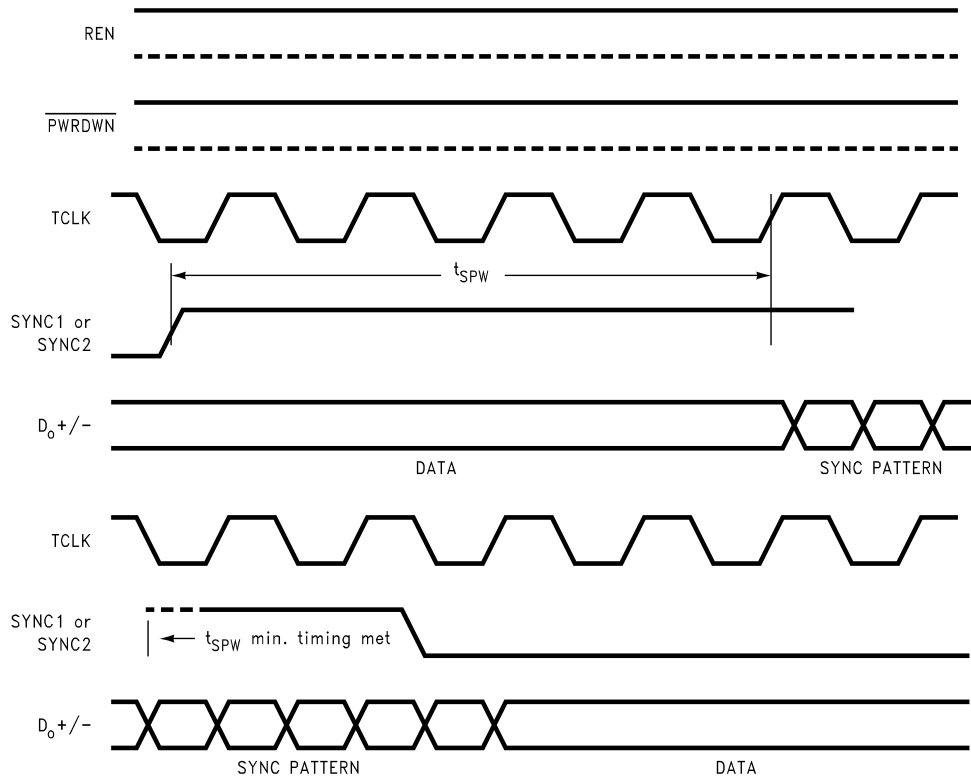


Figure 12. SYNC Timing Delays

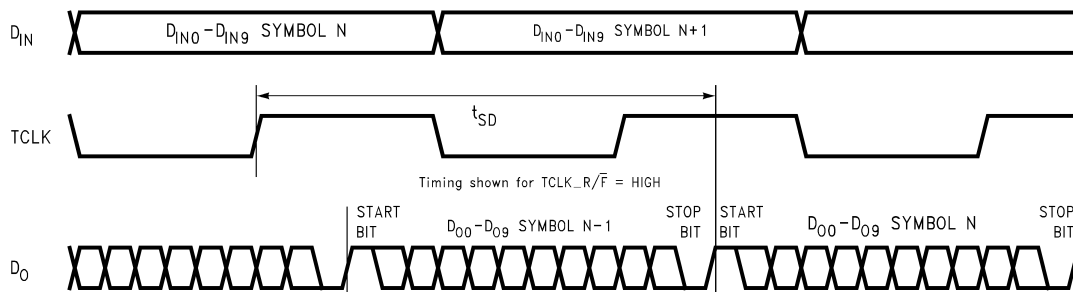


Figure 13. Serializer Delay

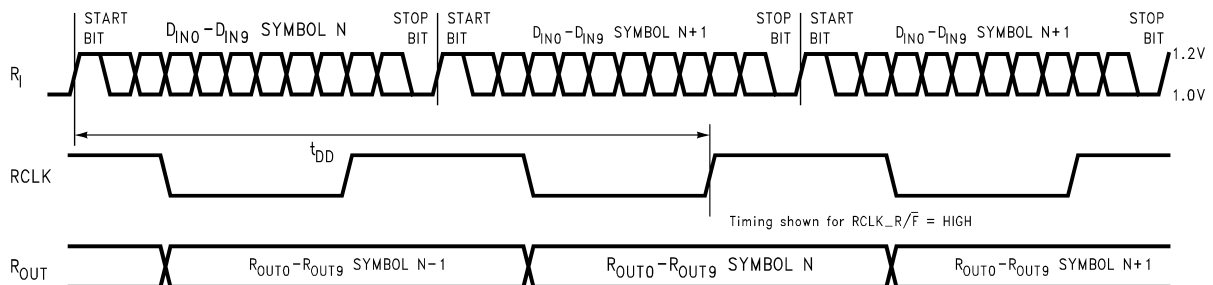
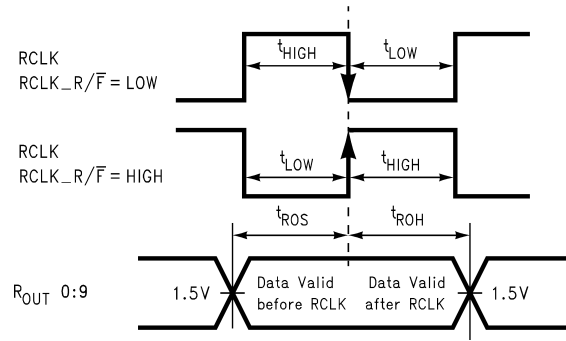


Figure 14. Deserializer Delay



Timing shown for $RCLK_R/\bar{F} = LOW$

$$Duty\ Cycle\ (t_{RDC}) = \frac{t_{HIGH}}{t_{HIGH} + t_{LOW}}$$

Figure 15. Deserializer Data Valid Out Times

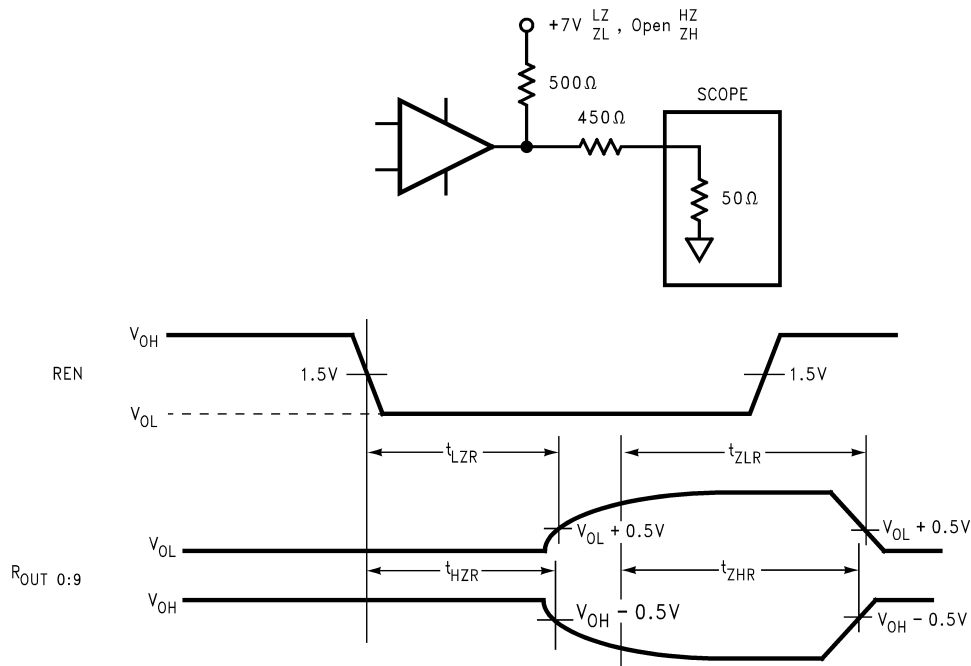


Figure 16. Deserializer TRI-STATE Test Circuit and Timing

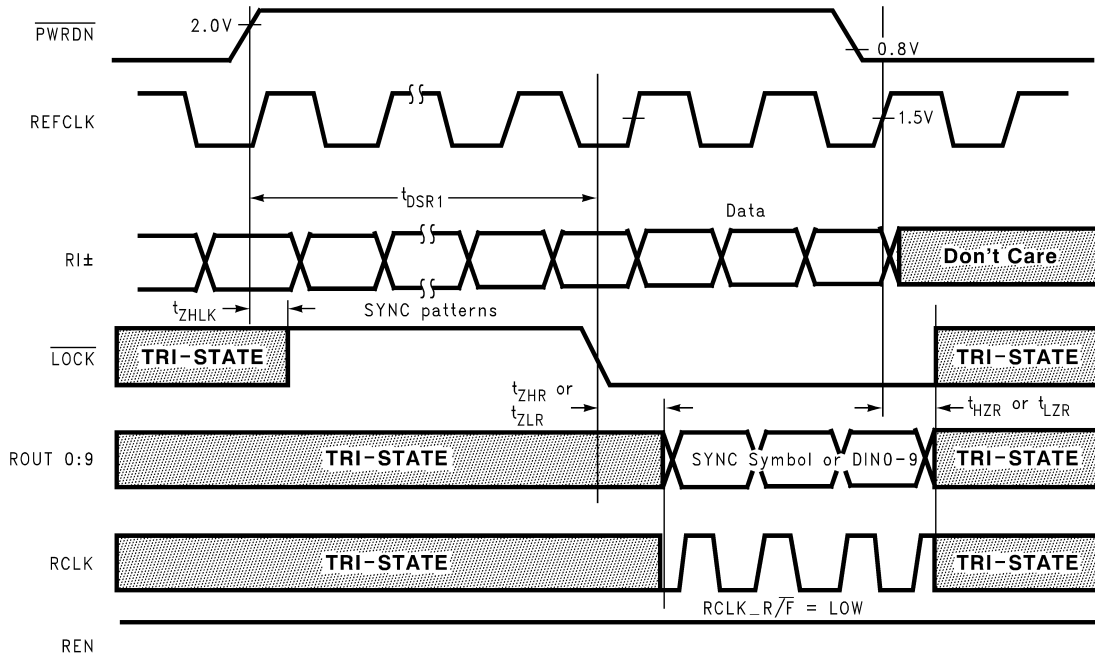


Figure 17. Deserializer PLL Lock Times and $\overline{\text{PWRDN}}$ TRI-STATE Delays

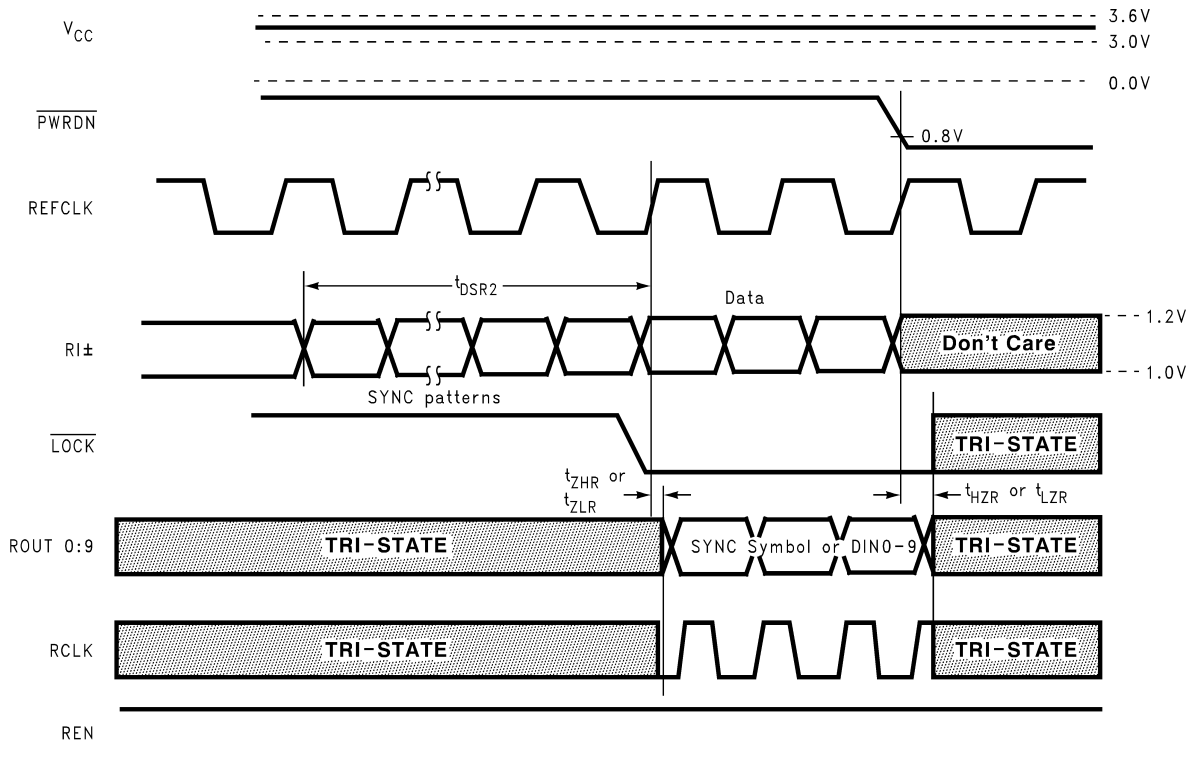
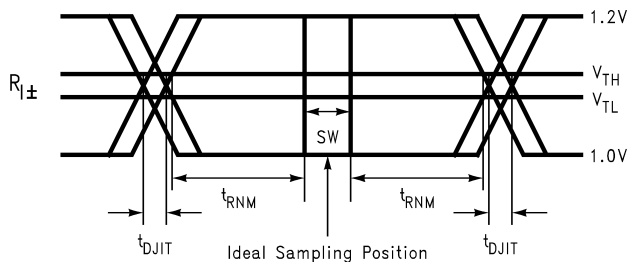
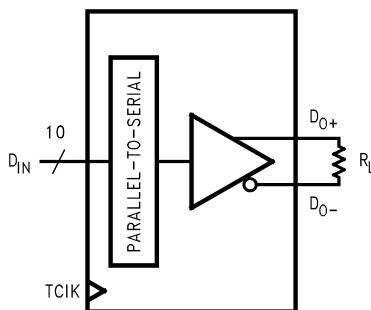


Figure 18. Deserializer PLL Lock Time from SyncPAT



SW - Setup and Hold Time (Internal Data Sampling Window)
 t_{DJIT} - Serializer Output Bit Position Jitter that results from Jitter on TCLK
 t_{RNM} = Receiver Noise Margin Time

Figure 19. Receiver Bus LVDS Input Skew Margin



$V_{OD} = (DO^+) - (DO^-)$.
 Differential output signal is shown as $(DO^+) - (DO^-)$, device in Data Transfer mode.

Figure 20. V_{OD} Diagram

Pin Diagrams

Top View

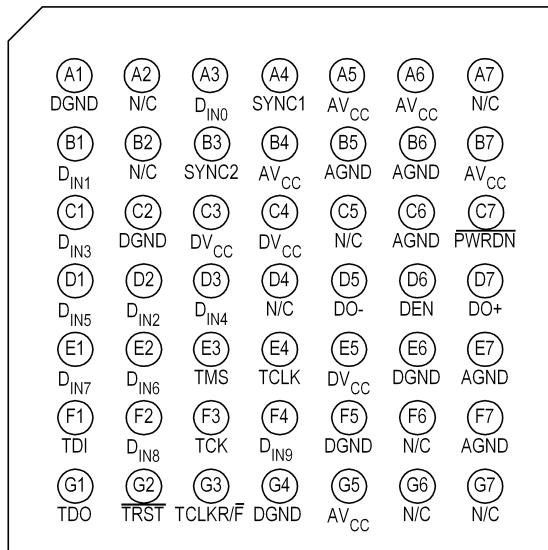


Figure 21. SCAN921023NZA - Serializer NFBGA Package
 See Package Number NZA0049A

Top View

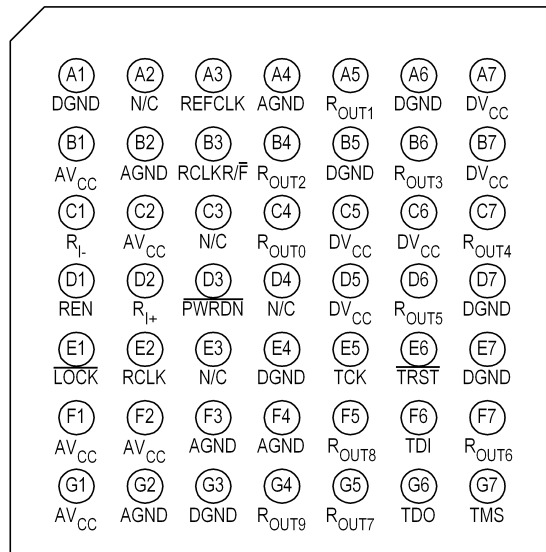


Figure 22. SCAN921224NZA - Deserializer NFBGA Package
See Package Number NZA0049A

Serializer Pin Description

| Pin Name | I/O | Ball Id. | Description |
|---------------------------|-----|--|--|
| DIN | I | A3, B1, C1, D1, D2, D3, E1, E2, F2, F4 | Data Input. LVTTTL levels inputs. Data on these pins are loaded into a 10-bit input register. |
| TCLKR/ \bar{F} | I | G3 | Transmit Clock Rising/Falling strobe select. LVTTTL level input. Selects TCLK active edge for strobing of DIN data. High selects rising edge. Low selects falling edge. |
| DO+ | O | D7 | + Serial Data Output. Non-inverting Bus LVDS differential output. |
| DO- | O | D5 | - Serial Data Output. Inverting Bus LVDS differential output. |
| DEN | I | D6 | Serial Data Output Enable. LVTTTL level input. A low puts the Bus LVDS outputs in TRI-STATE. |
| $\overline{\text{PWRDN}}$ | I | C7 | Powerdown. LVTTTL level input. $\overline{\text{PWRDN}}$ driven low shuts down the PLL and TRI-STATES outputs putting the device into a low power sleep mode. |
| TCLK | I | E4 | Transmit Clock. LVTTTL level input. Input for 20 MHz–66 MHz system clock. |
| SYNC | I | A4, B3 | Assertion of SYNC (high) for at least 1024 synchronization symbols to be transmitted on the Bus LVDS serial output. Synchronization symbols continue to be sent if SYNC continues to be asserted. TTL level input. The two SYNC pins are ORed. |
| DVCC | I | C3, C4, E5 | Digital Circuit power supply. |
| DGND | I | A1, C2, F5, E6, G4 | Digital Circuit ground. |
| AVCC | I | A5, A6, B4, B7, G5 | Analog power supply (PLL and Analog Circuits). |
| AGND | I | B5, B6, C6, E7, F7 | Analog ground (PLL and Analog Circuits). |
| TDI | I | F1 | Test Data Input to support IEEE 1149.1 |
| TDO | O | G1 | Test Data Output to support IEEE 1149.1 |
| TMS | I | E3 | Test Mode Select Input to support IEEE 1149.1 |
| TCK | I | F3 | Test Clock Input to support IEEE 1149.1 |
| TRST | I | G2 | Test Reset Input to support IEEE 1149.1 |
| N/C | N/A | A2, A7, B2, C5, D4, F6, G6, G7 | Leave open circuit, do not connect |

Deserializer Pin Description

| Pin Name | I/O | Ball Id. | Description |
|-----------------------|-----|--|--|
| ROUT | O | A5, B4, B6, C4, C7, D6, F5, F7, G4, G5 | Data Output. ±9 mA CMOS level outputs. |
| RCLKR/ \overline{F} | I | B3 | Recovered Clock Rising/Falling strobe select. TTL level input. Selects RCLK active edge for strobing of ROUT data. High selects rising edge. Low selects falling edge. |
| RI+ | I | D2 | + Serial Data Input. Non-inverting Bus LVDS differential input. |
| RI- | I | C1 | - Serial Data Input. Inverting Bus LVDS differential input. |
| \overline{PWRDN} | I | D3 | Powerdown. TTL level input. \overline{PWRDN} driven low shuts down the PLL and TRI-STATEs outputs putting the device into a low power sleep mode. |
| \overline{LOCK} | O | E1 | \overline{LOCK} goes low when the Deserializer PLL locks onto the embedded clock edge. CMOS level output. Totem pole output structure, does not directly support wired OR connections. |
| RCLK | O | E2 | Recovered Clock. Parallel data rate clock recovered from embedded clock. Used to strobe ROUT, CMOS level output. |
| REN | I | D1 | Output Enable. TTL level input. When driven low, TRI-STATEs ROUT0–ROUT9 and RCLK. |
| DVCC | I | A7, B7, C5, C6, D5 | Digital Circuit power supply \overline{LOCK} . |
| DGND | I | A1, A6, B5, D7, E4, E7, G3 | Digital Circuit ground. |
| AVCC | I | B1, C2, F1, F2, G1 | Analog power supply (PLL and Analog Circuits). |
| AGND | I | A4, B2, F3, F4, G2 | Analog ground (PLL and Analog Circuits). |
| REFCLK | I | A3 | Use this pin to supply a REFCLK signal for the internal PLL frequency. |
| TDI | I | F6 | Test Data Input to support IEEE 1149.1 |
| TDO | O | G6 | Test Data Output to support IEEE 1149.1 |
| TMS | I | G7 | Test Mode Select Input to support IEEE 1149.1 |
| TCK | I | E5 | Test Clock Input to support IEEE 1149.1 |
| \overline{TRST} | I | E6 | Test Reset Input to support IEEE 1149.1 |
| N/C | N/A | A2, C3, D4, E3 | Leave open circuit, do not connect |

Deserializer Truth Table⁽¹⁾⁽²⁾⁽³⁾⁽⁴⁾

| INPUTS | | OUTPUTS | | |
|--------------------|-----|------------|-------------------|--------|
| \overline{PWRDN} | REN | ROUT [0:9] | \overline{LOCK} | RCLK |
| H (4) | H | Z | H | Z |
| H | H | Active | L | Active |
| L | X | Z | Z | Z |
| H | L | Z | Active | Z |

- (1) Active indicates the \overline{LOCK} output will reflect the state of the Deserializer with regard to the selected data stream.
- (2) RCLK Active indicates the RCLK will be running if the Deserializer is locked. The Timing of RCLK with respect to ROUT is determined by RCLK_R/ \overline{F}
- (3) ROUT and RCLK are TRI-STATEd when \overline{LOCK} is asserted High.
- (4) During Power-up.

APPLICATION INFORMATION

USING THE SCAN921023 AND SCAN921224

The Serializer and Deserializer chipset is an easy to use transmitter and receiver pair that sends 10 bits of parallel LVTTTL data over a serial Bus LVDS link up to 660 Mbps. An on-board PLL serializes the input data and embeds two clock bits within the data stream. The Deserializer uses a separate reference clock (REFCLK) and an onboard PLL to extract the clock information from the incoming data stream and then deserialize the data. The Deserializer monitors the incoming clock information, determines lock status, and asserts the $\overline{\text{LOCK}}$ output high when loss of lock occurs.

POWER CONSIDERATIONS

An all CMOS design of the Serializer and Deserializer makes them inherently low power devices. In addition, the constant current source nature of the Bus LVDS outputs minimizes the slope of the speed vs. I_{CC} curve of conventional CMOS designs.

POWERING UP THE DESERIALIZER

The SCAN921224 can be powered up at any time by following the proper sequence. The REFCLK input can be running before the Deserializer powers up, and it must be running in order for the Deserializer to lock to incoming data. The Deserializer outputs will remain in TRI-STATE until the Deserializer detects data transmission at its inputs and locks to the incoming data stream.

TRANSMITTING DATA

Once you power up the Serializer and Deserializer, they must be phase locked to each other to transmit data. Phase locking occurs when the Deserializer locks to incoming data or when the Serializer sends patterns. The Serializer sends SYNC patterns whenever the SYNC1 or SYNC2 inputs are high. The $\overline{\text{LOCK}}$ output of the Deserializer remains high until it has locked to the incoming data stream. Connecting the $\overline{\text{LOCK}}$ output of the Deserializer to one of the SYNC inputs of the Serializer will ensure that enough SYNC patterns are sent to achieve Deserializer lock.

The Deserializer can also lock to incoming data by simply powering up the device and allowing the “random lock” circuitry to find and lock to the data stream.

While the Deserializer $\overline{\text{LOCK}}$ output is low, data at the Deserializer outputs (ROUT0-9) is valid, except for the specific case of loss of lock during transmission which is further discussed in [RECOVERING FROM LOCK LOSS](#).

NOISE MARGIN

The Deserializer noise margin is the amount of input jitter (phase noise) that the Deserializer can tolerate and still reliably receive data. Various environmental and systematic factors include:

Serializer: TCLK jitter, V_{CC} noise (noise bandwidth and out-of-band noise)

Media: ISI, Large V_{CM} shifts

Deserializer: V_{CC} noise

RECOVERING FROM LOCK LOSS

In the case where the Deserializer loses lock during data transmission, up to 3 cycles of data that were previously received can be invalid. This is due to the delay in the lock detection circuit. The lock detect circuit requires that invalid clock information be received 4 times in a row to indicate loss of lock. Since clock information has been lost, it is possible that data was also lost during these cycles. Therefore, after the Deserializer relocks to the incoming data stream and the Deserializer $\overline{\text{LOCK}}$ pin goes low, at least three previous data cycles should be suspect for bit errors.

The Deserializer can relock to the incoming data stream by making the Serializer resend SYNC patterns, as described above, or by random locking, which can take more time, depending on the data patterns being received.

HOT INSERTION

All the BLVDS devices are hot pluggable if you follow a few rules. When inserting, ensure the Ground pin(s) makes contact first, then the VCC pin(s), and then the I/O pins. When removing, the I/O pins should be unplugged first, then the VCC, then the Ground. Random lock hot insertion is illustrated in [Figure 25](#).

PCB CONSIDERATIONS

The Bus LVDS Serializer and Deserializer should be placed as close to the edge connector as possible. In multiple Deserializer applications, the distance from the Deserializer to the slot connector appears as a stub to the Serializer driving the backplane traces. Longer stubs lower the impedance of the bus, increase the load on the Serializer, and lower the threshold margin at the Deserializers. Deserializer devices should be placed much less than one inch from slot connectors. Because transition times are very fast on the Serializer Bus LVDS outputs, reducing stub lengths as much as possible is the best method to ensure signal integrity.

TRANSMISSION MEDIA

The Serializer and Deserializer can also be used in point-to-point configuration of a backplane, through a PCB trace, or through twisted pair cable. In point-to-point configuration, the transmission media need only be terminated at the receiver end. Please note that in point-to-point configuration, the potential of offsetting the ground levels of the Serializer vs. the Deserializer must be considered. Also, Bus LVDS provides a +/- 1.2V common mode range at the receiver inputs.

FAILSAFE BIASING FOR THE SCAN921224

The SCAN921224 has an improved input threshold sensitivity of +/- 50mV versus +/- 100mV for the DS92LV1210 or DS92LV1212. This allows for greater differential noise margin in the SCAN921224. However, in cases where the receiver input is not being actively driven, the increased sensitivity of the SCAN921224 can pickup noise as a signal and cause unintentional locking. For example, this can occur when the input cable is disconnected.

External resistors can be added to the receiver circuit board to prevent noise pick-up. Typically, the non-inverting receiver input is pulled up and the inverting receiver input is pulled down by high value resistors. The pull-up and pull-down resistors (R_1 and R_2) provide a current path through the termination resistor (R_L) which biases the receiver inputs when they are not connected to an active driver. The value of the pull-up and pull-down resistors should be chosen so that enough current is drawn to provide a +15mV drop across the termination resistor. Please see [Figure 23](#) for the Failsafe Biasing Setup.

USING T_{DJIT} AND T_{RNM} TO VALIDATE SIGNAL QUALITY

The parameters t_{DJIT} and t_{RNM} can be used to generate an eye pattern mask to validate signal quality in an actual application or in simulation.

The parameter t_{DJIT} measures the transmitter's ability to place data bits in the ideal position to be sampled by the receiver. The typical t_{DJIT} parameter of -80pS indicates that the crossing point of the Tx data is 80pS ahead of the ideal crossing point. The $t_{DJIT(min)}$ and $t_{DJIT(max)}$ parameters specify the earliest and latest, respectively, time that a crossing will occur relative to the ideal position.

The parameter t_{RNM} is calculated by first measuring how much of the ideal bit the receiver needs to ensure correct sampling. After determining this amount, what remains of the ideal bit that is available for external sources of noise is called t_{RNM} . It is the offset from $t_{DJIT(min \text{ or } max)}$ for the test mask within the eye opening.

The vertical limits of the mask are determined by the SCAN921224 receiver input threshold of +/- 50mV.

Please refer to the eye mask pattern of [Figure 24](#) for a graphic representation of t_{DJIT} and t_{RNM} .

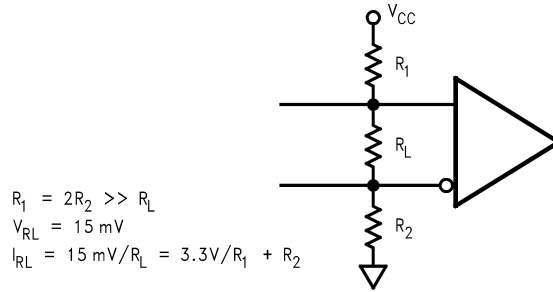


Figure 23. Failsafe Biasing Setup

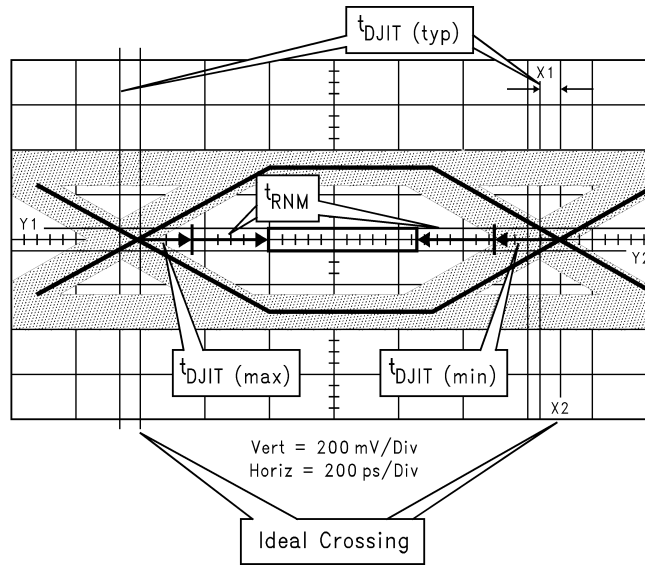


Figure 24. Using t_{DJIT} and t_{RNM} to Generate an Eye Pattern Mask and Validate Signal Quality

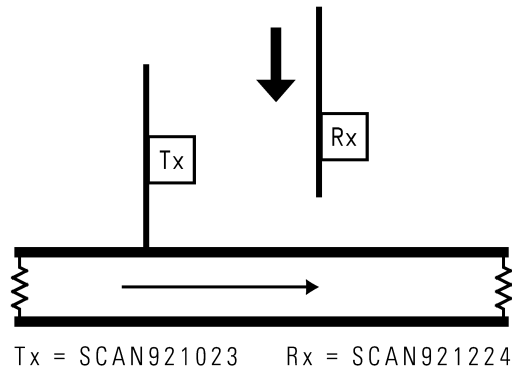


Figure 25. Random Lock Hot Insertion

PACKAGING INFORMATION

| Orderable Device | Status (1) | Package Type | Package Drawing | Pins | Package Qty | Eco Plan (2) | Lead/Ball Finish | MSL Peak Temp (3) | Op Temp (°C) | Top-Side Markings (4) | Samples |
|--------------------|---------------|--------------|--------------------|------|-------------|----------------------------|------------------|----------------------|--------------|--------------------------|-------------------------|
| SCAN921023SLC | ACTIVE | NFBGA | NZA | 49 | 416 | TBD | Call TI | Call TI | -40 to 85 | SCAN921023 SLC | Samples |
| SCAN921023SLC/NOPB | ACTIVE | NFBGA | NZA | 49 | 416 | Green (RoHS & no Sb/Br) | POST-PLATE | Level-4-260C-72 HR | -40 to 85 | SCAN921023 SLC | Samples |
| SCAN921224SLC | ACTIVE | NFBGA | NZA | 49 | 416 | TBD | Call TI | Call TI | -40 to 85 | SCAN921224 SLC | Samples |
| SCAN921224SLC/NOPB | ACTIVE | NFBGA | NZA | 49 | 416 | Green (RoHS & no Sb/Br) | SNAGCU | Level-4-260C-72 HR | -40 to 85 | SCAN921224 SLC | Samples |

(1) The marketing status values are defined as follows:

ACTIVE: Product device recommended for new designs.

LIFEBUY: TI has announced that the device will be discontinued, and a lifetime-buy period is in effect.

NRND: Not recommended for new designs. Device is in production to support existing customers, but TI does not recommend using this part in a new design.

PREVIEW: Device has been announced but is not in production. Samples may or may not be available.

OBSOLETE: TI has discontinued the production of the device.

(2) Eco Plan - The planned eco-friendly classification: Pb-Free (RoHS), Pb-Free (RoHS Exempt), or Green (RoHS & no Sb/Br) - please check <http://www.ti.com/productcontent> for the latest availability information and additional product content details.

TBD: The Pb-Free/Green conversion plan has not been defined.

Pb-Free (RoHS): TI's terms "Lead-Free" or "Pb-Free" mean semiconductor products that are compatible with the current RoHS requirements for all 6 substances, including the requirement that lead not exceed 0.1% by weight in homogeneous materials. Where designed to be soldered at high temperatures, TI Pb-Free products are suitable for use in specified lead-free processes.

Pb-Free (RoHS Exempt): This component has a RoHS exemption for either 1) lead-based flip-chip solder bumps used between the die and package, or 2) lead-based die adhesive used between the die and leadframe. The component is otherwise considered Pb-Free (RoHS compatible) as defined above.

Green (RoHS & no Sb/Br): TI defines "Green" to mean Pb-Free (RoHS compatible), and free of Bromine (Br) and Antimony (Sb) based flame retardants (Br or Sb do not exceed 0.1% by weight in homogeneous material)

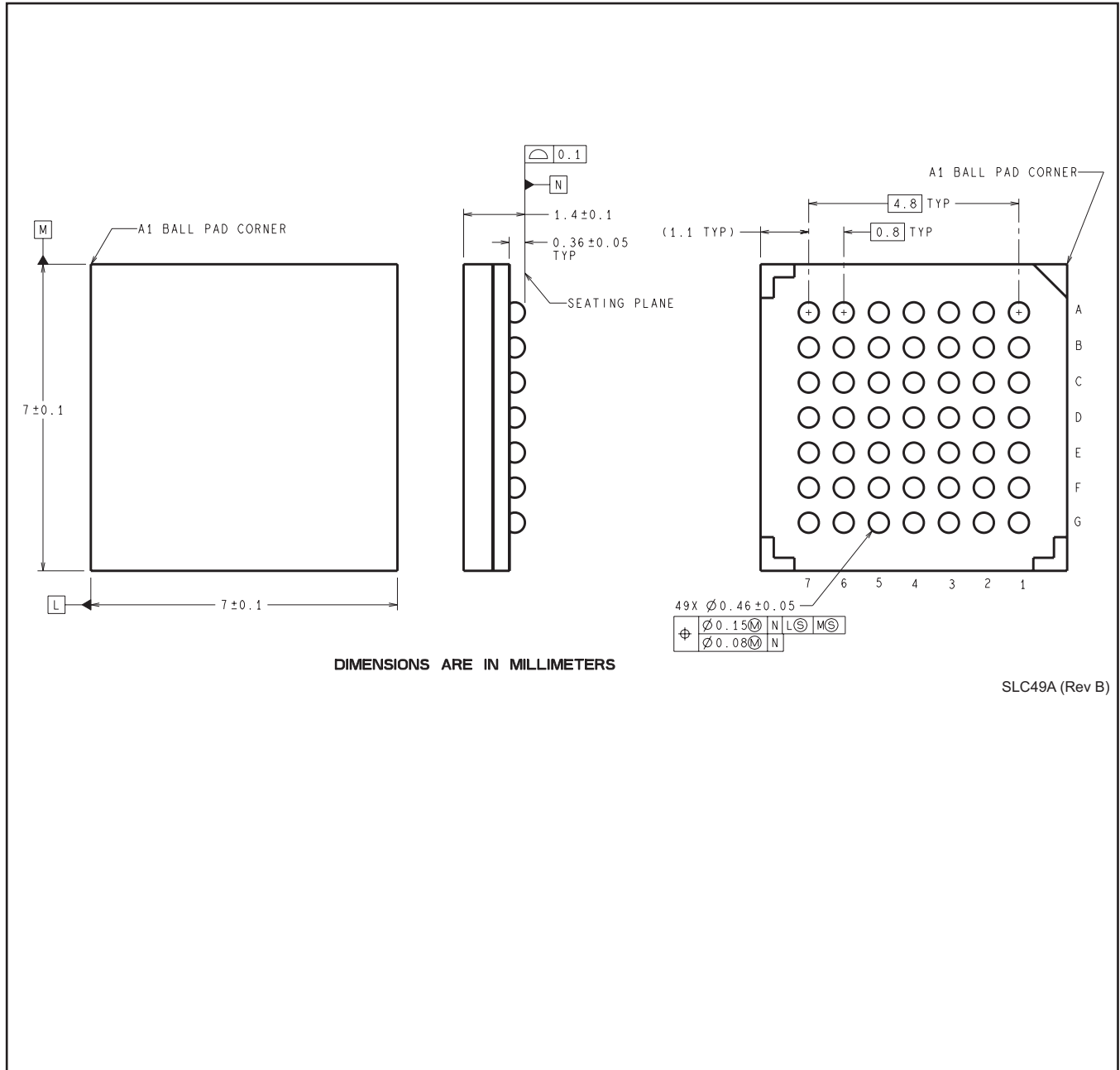
(3) MSL, Peak Temp. -- The Moisture Sensitivity Level rating according to the JEDEC industry standard classifications, and peak solder temperature.

(4) Only one of markings shown within the brackets will appear on the physical device.

Important Information and Disclaimer: The information provided on this page represents TI's knowledge and belief as of the date that it is provided. TI bases its knowledge and belief on information provided by third parties, and makes no representation or warranty as to the accuracy of such information. Efforts are underway to better integrate information from third parties. TI has taken and continues to take reasonable steps to provide representative and accurate information but may not have conducted destructive testing or chemical analysis on incoming materials and chemicals. TI and TI suppliers consider certain information to be proprietary, and thus CAS numbers and other limited information may not be available for release.

In no event shall TI's liability arising out of such information exceed the total purchase price of the TI part(s) at issue in this document sold by TI to Customer on an annual basis.

NZA0049A



SLC49A (Rev B)

IMPORTANT NOTICE

Texas Instruments Incorporated and its subsidiaries (TI) reserve the right to make corrections, enhancements, improvements and other changes to its semiconductor products and services per JESD46, latest issue, and to discontinue any product or service per JESD48, latest issue. Buyers should obtain the latest relevant information before placing orders and should verify that such information is current and complete. All semiconductor products (also referred to herein as "components") are sold subject to TI's terms and conditions of sale supplied at the time of order acknowledgment.

TI warrants performance of its components to the specifications applicable at the time of sale, in accordance with the warranty in TI's terms and conditions of sale of semiconductor products. Testing and other quality control techniques are used to the extent TI deems necessary to support this warranty. Except where mandated by applicable law, testing of all parameters of each component is not necessarily performed.

TI assumes no liability for applications assistance or the design of Buyers' products. Buyers are responsible for their products and applications using TI components. To minimize the risks associated with Buyers' products and applications, Buyers should provide adequate design and operating safeguards.

TI does not warrant or represent that any license, either express or implied, is granted under any patent right, copyright, mask work right, or other intellectual property right relating to any combination, machine, or process in which TI components or services are used. Information published by TI regarding third-party products or services does not constitute a license to use such products or services or a warranty or endorsement thereof. Use of such information may require a license from a third party under the patents or other intellectual property of the third party, or a license from TI under the patents or other intellectual property of TI.

Reproduction of significant portions of TI information in TI data books or data sheets is permissible only if reproduction is without alteration and is accompanied by all associated warranties, conditions, limitations, and notices. TI is not responsible or liable for such altered documentation. Information of third parties may be subject to additional restrictions.

Resale of TI components or services with statements different from or beyond the parameters stated by TI for that component or service voids all express and any implied warranties for the associated TI component or service and is an unfair and deceptive business practice. TI is not responsible or liable for any such statements.

Buyer acknowledges and agrees that it is solely responsible for compliance with all legal, regulatory and safety-related requirements concerning its products, and any use of TI components in its applications, notwithstanding any applications-related information or support that may be provided by TI. Buyer represents and agrees that it has all the necessary expertise to create and implement safeguards which anticipate dangerous consequences of failures, monitor failures and their consequences, lessen the likelihood of failures that might cause harm and take appropriate remedial actions. Buyer will fully indemnify TI and its representatives against any damages arising out of the use of any TI components in safety-critical applications.

In some cases, TI components may be promoted specifically to facilitate safety-related applications. With such components, TI's goal is to help enable customers to design and create their own end-product solutions that meet applicable functional safety standards and requirements. Nonetheless, such components are subject to these terms.

No TI components are authorized for use in FDA Class III (or similar life-critical medical equipment) unless authorized officers of the parties have executed a special agreement specifically governing such use.

Only those TI components which TI has specifically designated as military grade or "enhanced plastic" are designed and intended for use in military/aerospace applications or environments. Buyer acknowledges and agrees that any military or aerospace use of TI components which have **not** been so designated is solely at the Buyer's risk, and that Buyer is solely responsible for compliance with all legal and regulatory requirements in connection with such use.

TI has specifically designated certain components as meeting ISO/TS16949 requirements, mainly for automotive use. In any case of use of non-designated products, TI will not be responsible for any failure to meet ISO/TS16949.

Products

| | |
|------------------------------|--|
| Audio | www.ti.com/audio |
| Amplifiers | amplifier.ti.com |
| Data Converters | dataconverter.ti.com |
| DLP® Products | www.dlp.com |
| DSP | dsp.ti.com |
| Clocks and Timers | www.ti.com/clocks |
| Interface | interface.ti.com |
| Logic | logic.ti.com |
| Power Mgmt | power.ti.com |
| Microcontrollers | microcontroller.ti.com |
| RFID | www.ti-rfid.com |
| OMAP Applications Processors | www.ti.com/omap |
| Wireless Connectivity | www.ti.com/wirelessconnectivity |

Applications

| | |
|-------------------------------|--|
| Automotive and Transportation | www.ti.com/automotive |
| Communications and Telecom | www.ti.com/communications |
| Computers and Peripherals | www.ti.com/computers |
| Consumer Electronics | www.ti.com/consumer-apps |
| Energy and Lighting | www.ti.com/energy |
| Industrial | www.ti.com/industrial |
| Medical | www.ti.com/medical |
| Security | www.ti.com/security |
| Space, Avionics and Defense | www.ti.com/space-avionics-defense |
| Video and Imaging | www.ti.com/video |

TI E2E Community

e2e.ti.com