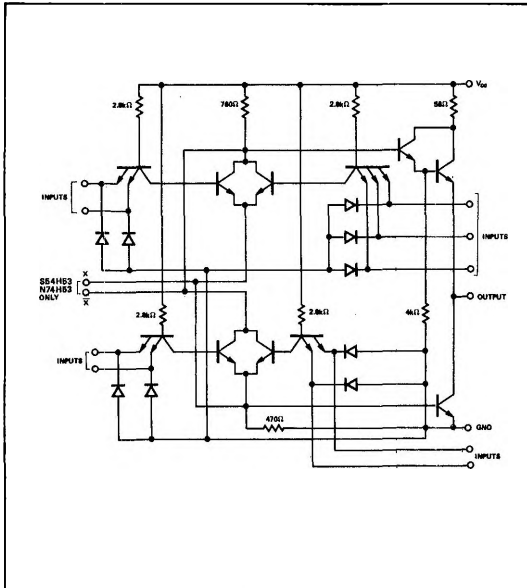


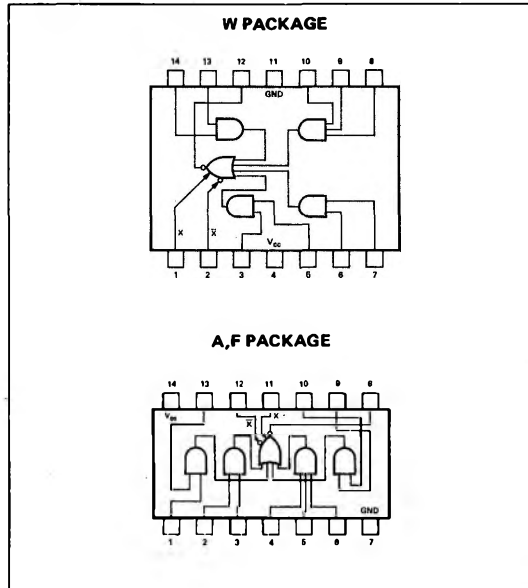
S54H53-A,F,W • S54H54-A,F,W • N74H53-A,F • N74H54-A,F

DIGITAL 54/74 TTL SERIES

SCHEMATIC DIAGRAM



PIN CONFIGURATIONS



NOTES:

- Component values shown are nominal.
- Both expander inputs are used simultaneously for expanding.
- If expander is not used leave X and \bar{X} pins open.
- Expander inputs X and \bar{X} are functional on the S54H53 and

N74H53 circuits only. Make no external connection to X and \bar{X} pins of the S54H54 and N74H54.

- A total of four S54H60/N74H60 expander gates or one S54H62/N74H62 expander gate may be connected to the expander inputs.

RECOMMENDED OPERATING CONDITIONS

	MIN	NOM	MAX	UNIT
Supply Voltage V_{CC} : S54H53, S54H54 Circuits N74H53, N74H54 Circuits	4.5	5	5.5	V
	4.75	5	5.25	V
Normalized Fan-Out from each Output, N			10	
Operating Free-Air Temperature Range, T_A : S54H53, S54H54 Circuits N74H53, N74H54 Circuits	-55	25	125	°C
	0	25	70	°C

ELECTRICAL CHARACTERISTICS (over recommended operating free-air temperature range unless otherwise noted)

PARAMETER	TEST CONDITIONS*	MIN	TYP†	MAX	UNIT
$V_{in(1)}$	Logical 1 input voltage required at all input terminals of one AND section to ensure logical 0 at output	$V_{CC} = \text{MIN.}$	2		V
$V_{in(0)}$	Logical 0 input voltage required at one input terminal of each AND section to ensure logical 1 at output	$V_{CC} = \text{MIN.}$		0.8	V
$V_{out(1)}$	Logical 1 output voltage	$V_{CC} = \text{MIN.}$ $I_{load} = -500\mu\text{A}$	$V_{in} = 0.8\text{V.}$	2.4	V
$V_{out(0)}$	Logical 0 output voltage	$V_{CC} = \text{MIN.}$ $I_{sink} = 20\text{mA}$	$V_{in} = 2\text{V.}$	0.4	V
$I_{in(0)}$	Logical 0 level input current (each input)	$V_{CC} = \text{MAX.}$	$V_{in} = 0.4\text{V}$	-2	mA

DIGITAL 54/74 TTL SERIES ■ S54H54, N74H53, S54H54, N74H54

ELECTRICAL CHARACTERISTICS (Cont'd)

PARAMETER		TEST CONDITIONS		MIN	TYP	MAX	UNIT
$I_{in(1)}$	Logical 1 level input current (each input)	$V_{CC} = \text{MAX}$,	$V_{in} = 2.4\text{V}$			50	μA
I_{OS}	Short circuit output current**	$V_{CC} = \text{MAX}$,	$V_{in} = 5.5\text{V}$	-40		1	mA
$I_{CC(0)}$	Logical 0 level supply current	$V_{CC} = \text{MAX}$,	$V_{in} = 4.5\text{V}$		9.4	14	mA
$I_{CC(1)}$	Logical 1 level supply current	$V_{CC} = \text{MAX}$,	$V_{in} = 0$		7.1	11	mA

ELECTRICAL CHARACTERISTICS (S54H53 circuits only) using expander inputs, $V_{CC} = 4.5\text{V}$, $T_A = -55^\circ\text{C}$

PARAMETER		TEST CONDITIONS			MIN	TYP	MAX	UNIT
$I_{in\bar{X}}$	Expander-node input current	$V_{\bar{X}} = 1.4\text{V}$					-5.85	mA
$V_{BE(Q)}$	Base-emitter voltage of output transistor Q	$I_{\text{sink}} = 20\text{mA}$,	$I_1 = 700\mu\text{A}$,	$R_1 = 0$			1	V
$V_{out(1)}$	Logical 1 output voltage	$I_{\text{load}} = -500\mu\text{A}$,	$I_1 = 320\mu\text{A}$,		2.4			V
$V_{out(0)}$	Logical 0 output voltage	$I_{\text{sink}} = 20\text{mA}$	$I_1 = 470\mu\text{A}$,	$R_1 = 68\Omega$			0.4	V

ELECTRICAL CHARACTERISTICS (N74H53 circuits only) using expander inputs, $V_{CC} = 4.75\text{V}$, $T_A = 0^\circ\text{C}$

PARAMETER		TEST CONDITIONS			MIN	TYP	MAX	UNIT
$I_{in\bar{X}}$	Expander-node input current	$V_{\bar{X}} = 1.4\text{V}$					-6.3	mA
$V_{BE(Q)}$	Base-emitter voltage of output transistor Q	$I_{\text{sink}} = 20\text{mA}$,	$I_1 = 1.1\text{mA}$,	$R_1 = 0$			1	V
$V_{out(1)}$	Logical 1 output voltage	$I_{\text{load}} = -500\mu\text{A}$,	$I_1 = 570\mu\text{A}$,		2.4			V
$V_{out(0)}$	Logical 0 output voltage	$I_{\text{sink}} = 20\text{mA}$,	$I_1 = 600\mu\text{A}$,	$R_1 = 63\Omega$			0.4	V

SWITCHING CHARACTERISTICS, $V_{CC} = 5\text{V}$, $T_A = 25^\circ\text{C}$, $N = 10$, expander pins are open

PARAMETER		TEST CONDITIONS		MIN	TYP	MAX	UNIT
t_{pd0}	Propagation delay time to logical 0 level	$C_L = 25\text{pF}$,	$R_L = 280\Omega$		6.2	11	ns
t_{pd1}	Propagation delay time to logical 1 level	$C_L = 25\text{pF}$,	$R_L = 280\Omega$		7	11	ns

SWITCHING CHARACTERISTICS, (S54H53/N74H53 circuits only) $V_{CC} = 5\text{V}$, $T_A = 25^\circ\text{C}$, $N = 10$, $C_X = 15\text{pF}$

PARAMETER		TEST CONDITIONS		MIN	TYP	MAX	UNIT
t_{pd0}	Propagation delay time to logical 0 level	$C_L = 25\text{pF}$,	$R_L = 280\Omega$		7.4		ns
t_{pd1}	Propagation delay time to logical 1 level	$C_L = 25\text{pF}$,	$R_L = 280\Omega$		11.4		ns

* For conditions shown as MIN or MAX, use the appropriate value specified under recommended operating conditions for the applicable device type. Expander pins are open.

** Duration of short circuit test should not exceed 1 second.

† All typical values are at $V_{CC} = 5\text{V}$, $T_A = 25^\circ\text{C}$.