

S5474-A,F,W • N7474-A,F

DIGITAL 54/74 TTL SERIES

DESCRIPTION

The S5474/N7474 is a monolithic, dual, D-type, edge-triggered flip-flop featuring direct clear and preset inputs and complementary Q and \bar{Q} outputs. Input information is transferred to the Q output on the positive edge of the clock pulse.

Clock triggering occurs at a voltage level of the clock pulse and is not directly related to the transition time of the positive going pulse. After the clock input threshold voltage has been passed, the data input (D) is locked out.

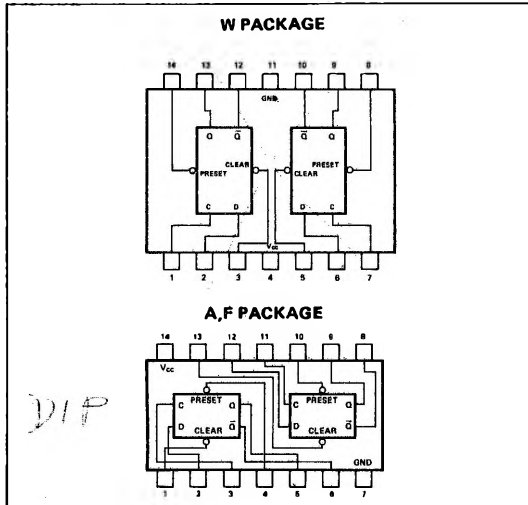
TRUTH TABLE

D_n	Q_{n+1}	\bar{Q}_{n+1}
1	1	0
0	0	1

Preset	Clear	Q
1	1	Q
1	0	0
0	1	1
0	0	†

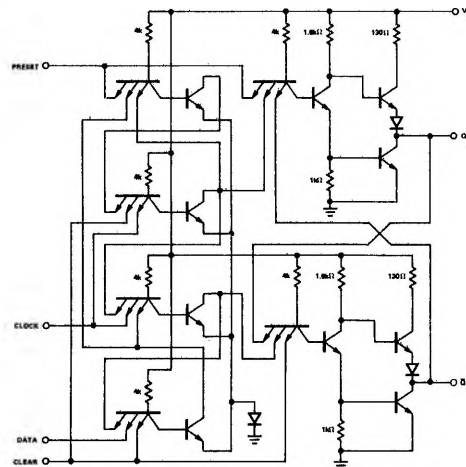
† Both outputs in 1 state
n is time prior to clock
n+1 is time following clock

PIN CONFIGURATIONS



POSITIVE LOGIC — Low input to preset sets Q to logical 1
Low input to clear sets Q to logical 0; Preset and clear are independent of clock

SCHEMATIC DIAGRAM



.NOTE: 1/2 of unit shown. Component values are typical.

RECOMMENDED OPERATING CONDITIONS

	MIN	NOM	MAX	UNIT
Supply Voltage V_{CC} : S5474 Circuits	4.5	5	5.5	V
N7474 Circuits	4.75	5	5.25	V
Operating Free-Air Temperature Range, T_A : S5474 Circuits	-55	25	125	$^{\circ}$ C
N7474 Circuits	0	25	70	$^{\circ}$ C
Normalized Fan-Out from each Output, N			10	
Width of Clock Pulse, $t_{p(\text{clock})}$	30			ns
Width of Preset Pulse, $t_{p(\text{preset})}$	30			ns
Width of Clear Pulse, $t_{p(\text{clear})}$	30			ns

ELECTRICAL CHARACTERISTICS (over recommended operating free-air temperature range unless otherwise noted)

PARAMETER	TEST CONDITIONS*	MIN	TYP**	MAX	UNIT
$V_{in(1)}$ Input voltage required to ensure logical 1 at any input terminal	$V_{CC} = \text{MIN}$	2			V
$V_{in(0)}$ Input voltage required to ensure logical 0 at any input terminal	$V_{CC} = \text{MIN}$			0.8	V
$V_{out(1)}$ Logical 1 output voltage	$V_{CC} = \text{MIN}$, $I_{\text{load}} = -400\mu\text{A}$	2.4	3.5		V
$V_{out(0)}$ Logical 0 output voltage	$V_{CC} = \text{MIN}$, $I_{\text{sink}} = 16\text{mA}$		0.22	0.4	V
$I_{in(0)}$ Logical 0 level input current at preset or D	$V_{CC} = \text{MAX}$, $V_{in} = 0.4\text{V}$			-1.6	mA
$I_{in(0)}$ Logical 0 level input current at clear or clock	$V_{CC} = \text{MAX}$, $V_{in} = 0.4\text{V}$			-3.2	mA
$I_{in(1)}$ Logical 1 level input current at D	$V_{CC} = \text{MAX}$, $V_{in} = 2.4\text{V}$ $V_{CC} = \text{MAX}$, $V_{in} = 5.5\text{V}$			40 1	μA mA
$I_{in(1)}$ Logical 1 level input current at preset or clock	$V_{CC} = \text{MAX}$, $V_{in} = 2.4\text{V}$ $V_{CC} = \text{MAX}$, $V_{in} = 5.5\text{V}$			80 1	μA mA
$I_{in(1)}$ Logical 1 level input current at clear	$V_{CC} = \text{MAX}$, $V_{in} = 2.4\text{V}$ $V_{CC} = \text{MAX}$, $V_{in} = 5.5\text{V}$			120 1	μA mA
I_{OS} Short circuit output current†	$V_{CC} = \text{MAX}$, $V_{in} = 0$	S5474 N7474	-20 -18	-57 -57	mA
I_{CC} Supply current	$V_{CC} = \text{MAX}$, $V_{in} = 5\text{V}$		17	30	mA

SWITCHING CHARACTERISTICS, $V_{CC} = 5\text{V}$, $T_A = 25^{\circ}\text{C}$, $N = 10$

PARAMETER	TEST CONDITIONS	MIN	TYP	MAX	UNIT
f_{clock} Maximum clock frequency	$C_L = 15\text{pF}$, $R_L = 400\Omega$	15	25		MHz
t_{setup} Minimum input setup time	$C_L = 15\text{pF}$, $R_L = 400\Omega$		15	20	ns
t_{hold} Minimum input hold time	$C_L = 15\text{pF}$, $R_L = 400\Omega$		2	5	ns
t_{pd1} Propagation delay time to logical 1 level from clear or preset to output	$C_L = 15\text{pF}$, $R_L = 400\Omega$			25	ns
t_{pd0} Propagation delay time to logical 0 level from clear or preset to output	$C_L = 15\text{pF}$, $R_L = 400\Omega$			40	ns
t_{pd1} Propagation delay time to logical 1 level from clock to output	$C_L = 15\text{pF}$, $R_L = 400\Omega$	10	14	25	ns
t_{pd0} Propagation delay time to logical 0 level from clock to output	$C_L = 15\text{pF}$, $R_L = 400\Omega$	10	20	40	ns

* For conditions shown as MIN or MAX, use the appropriate value specified under recommended operating conditions for the applicable device type.

** All typical values are at $V_{CC} = 5\text{V}$, $T_A = 25^{\circ}\text{C}$.

† Not more than one output should be shorted at a time.