

8-BIT PARALLEL-OUT SERIAL SHIFT REGISTERS

S54164 N74164

S54164—A,F,W • N74164—A,F

DIGITAL 54/74 TTL SERIES

DESCRIPTION

These 8-bit shift registers feature gated serial inputs and an asynchronous clear. The gated serial inputs (A and B) permit complete control over incoming data as a low at either (or both) input(s) inhibits entry of the new data and resets the first flip-flop to the low level at the next clock pulse. A high-level input enables the other input which will then determine the state of the first flip-flop. Data at the serial inputs may be changed while the clock is high, but only information meeting the setup requirements will be entered. Clocking occurs on the low-to-high-level transition of the clock input.

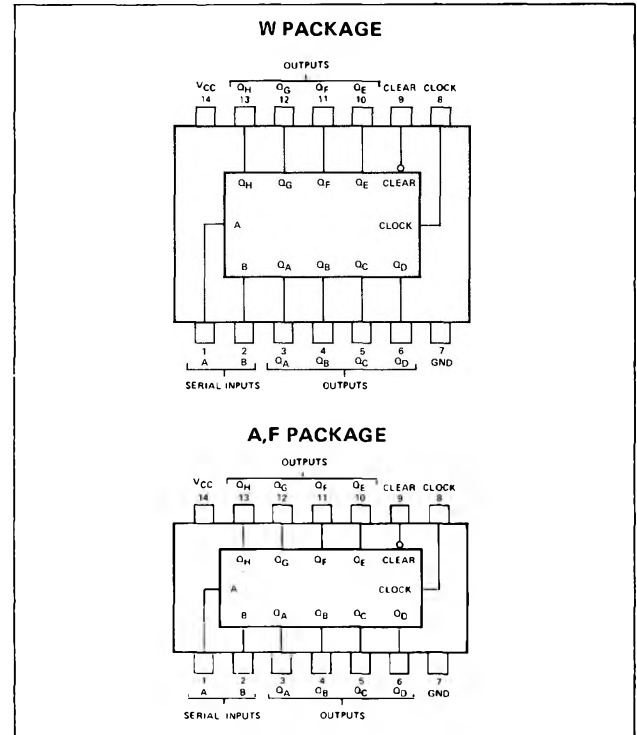
All inputs are diode-clamped to minimize transmission-line effects, and are buffered to represent only one Series 54/74 load which simplifies system design. Power dissipation is typically 21 milliwatts per bit. Maximum input clock frequency is typically 36 megahertz.

The S54164 is characterized for operation over the full military temperature range of -55°C to 125°C ; the N74164 is characterized for operation from 0°C to 70°C .

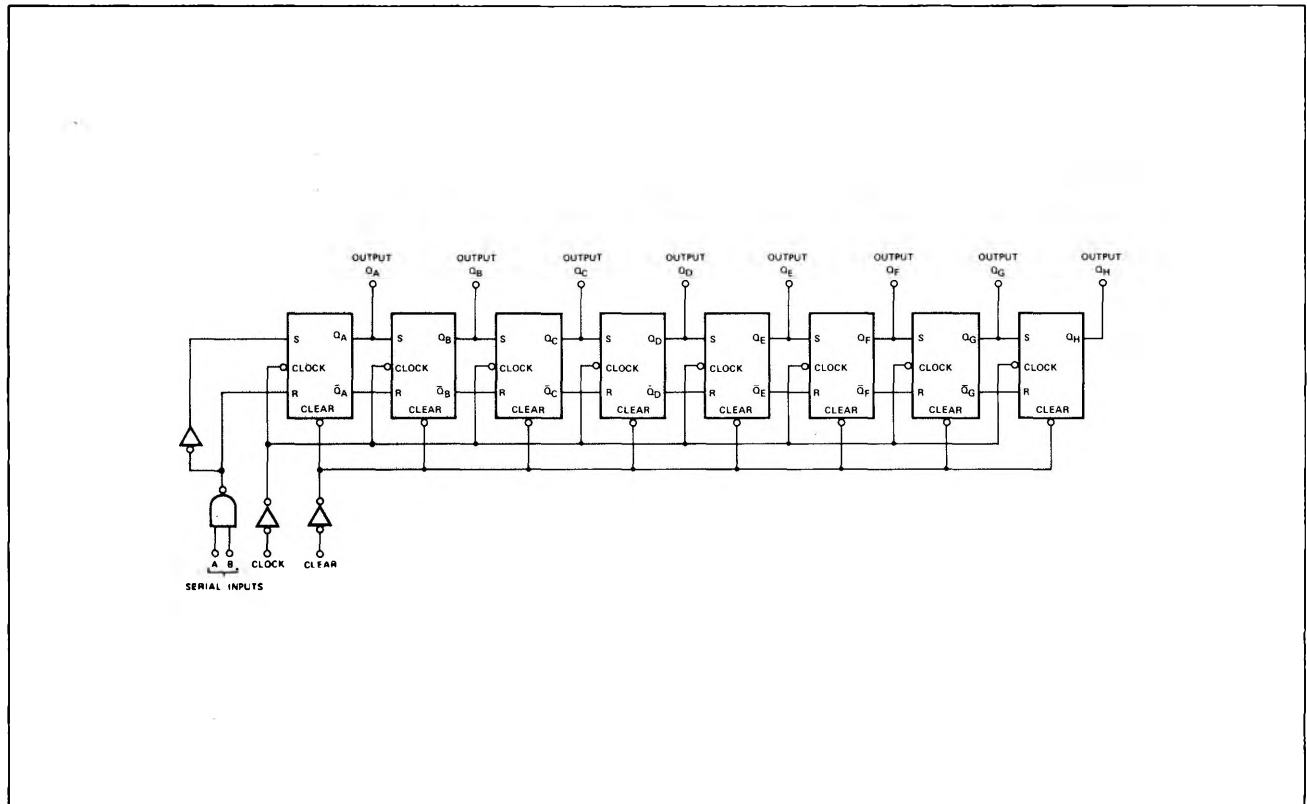
TRUTH TABLE

SERIAL INPUTS A AND B		
INPUTS AT_t		OUTPUT AT_{t+1}
A	B	Q_A
H	H	H
L	H	L
H	L	L
L	L	L

PIN CONFIGURATIONS



LOGIC DIAGRAM



SIGNETICS DIGITAL 54/74 TTL SERIES - S54164 • N74164

RECOMMENDED OPERATING CONDITIONS

	S54164			N74164			UNIT
	MIN	NOM	MAX	MIN	NOM	MAX	
Supply Voltage V_{CC}	4.5	5	5.5	4.75	5	5.25	V
Normalized Fan-Out from each Output, N:	High logic level			10			
	Low logic level			5			
Input Clock Frequency, f_{clock}	0		25	0		25	MHz
Width of Clock or Clear Input Pulse, t_w	20			20			ns
Data Setup Time, t_{setup}	15			15			ns
Data Hold Time, t_{hold}	0			0			ns
Operating Free-Air Temperature, T_A	-55	25	125	0	25	70	°C

ELECTRICAL CHARACTERISTICS (over recommended operating free-air temperature range unless otherwise noted)

PARAMETER	TEST CONDITIONS*	S54164			N74164			UNIT	
		MIN	TYP**	MAX	MIN	TYP**	MAX		
V_{IH}	High-level input voltage		2		2			V	
V_{IL}	Low-level input voltage			0.8			0.8	V	
V_I	Input clamp voltage	$V_{CC} = MAX,$ $V_{CC} = MIN,$	$I_I = -12mA$	-1.5			-1.5	V	
V_{OH}	High-level output voltage	$V_{IL} = 0.8V,$ $V_{CC} = MIN,$	$V_{IH} = 2V,$ $I_{OH} = -400\mu A$		2.4			V	
V_{OL}	Low-level output voltage	$V_{IL} = 0.8V,$ $V_{CC} = MAX,$	$V_{IH} = 2V,$ $I_{OL} = 8mA$			0.4		V	
I_I	Input current at maximum input voltage	$V_{CC} = MAX,$	$V_I = 5.5V$				1	mA	
I_{IH}	High-level input current	$V_{CC} = MAX,$	$V_I = 2.4V$				40	μA	
I_{IL}	Low-level input current	$V_{CC} = MAX,$	$V_I = 0.4V$				-1.6	mA	
I_{OS}	Short-circuit output current †	$V_{CC} = MAX$		-10	-27.5	-9	-27.5	mA	
I_{CC}	Supply current	$V_{CC} = MAX,$ See Note	$V_{I(clock)} = 0.4V$ $V_{I(clock)} = 2.4V$	30 37		30 37		54 54	mA

SWITCHING CHARACTERISTICS, $V_{CC} = 5V, T_A = 25^\circ C, N = 5$

PARAMETER	TEST CONDITIONS	MIN	TYP	MAX	UNIT
f_{max}	Maximum input count frequency		25	36	MHz
t_{PHL}	Propagation delay time, high-to-low-level Q outputs from clear input	$C_L = 15pF$		24	36
	Propagation delay time, low-to-high-level Q outputs from clock input	$C_L = 50pF$ $C_L = 15pF$	8	28	42
t_{PLH}	Propagation delay time, high-to-low-level Q outputs from clear input	$C_L = 50pF$ $C_L = 15pF$	10	20	30
	Propagation delay time, high-to-low-level Q outputs from clock input	$C_L = 50pF$	10	21	32
t_{PHL}	Propagation delay time, high-to-low-level Q outputs from clock input		10	25	37

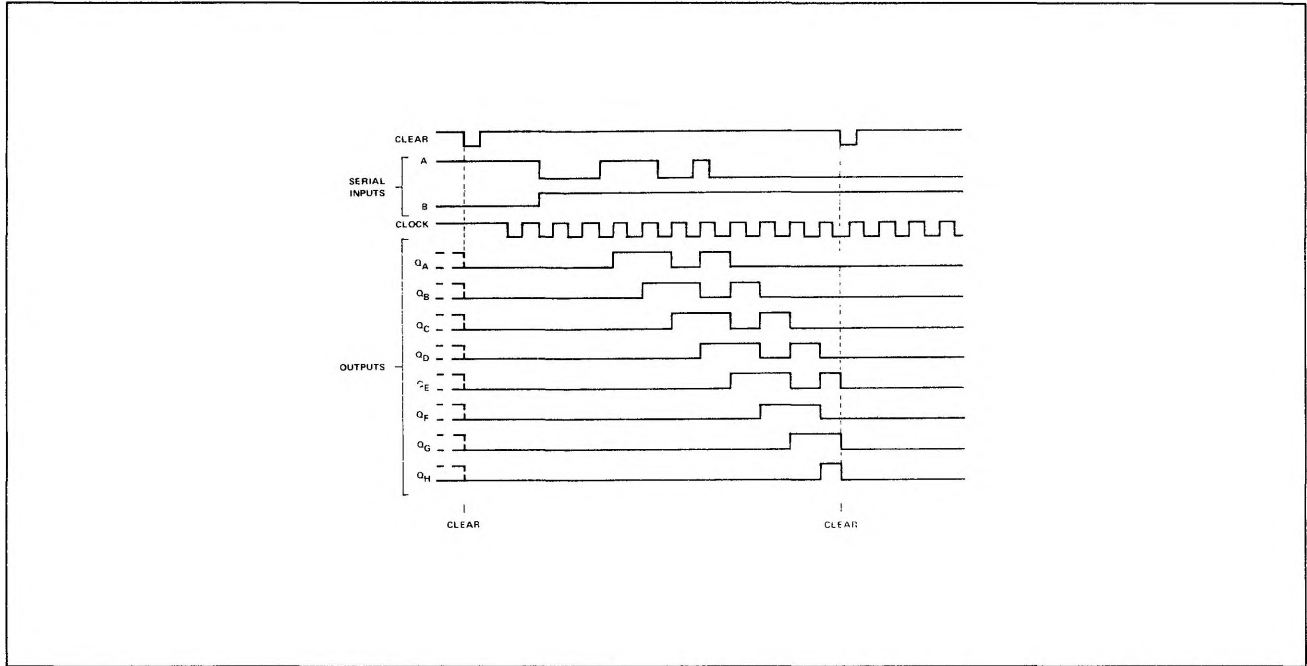
* For conditions shown as MIN or MAX, use the appropriate value specified under recommended operating conditions for the applicable device type.

** All typical values are at $V_{CC} = 5V, T_A = 25^\circ C$.

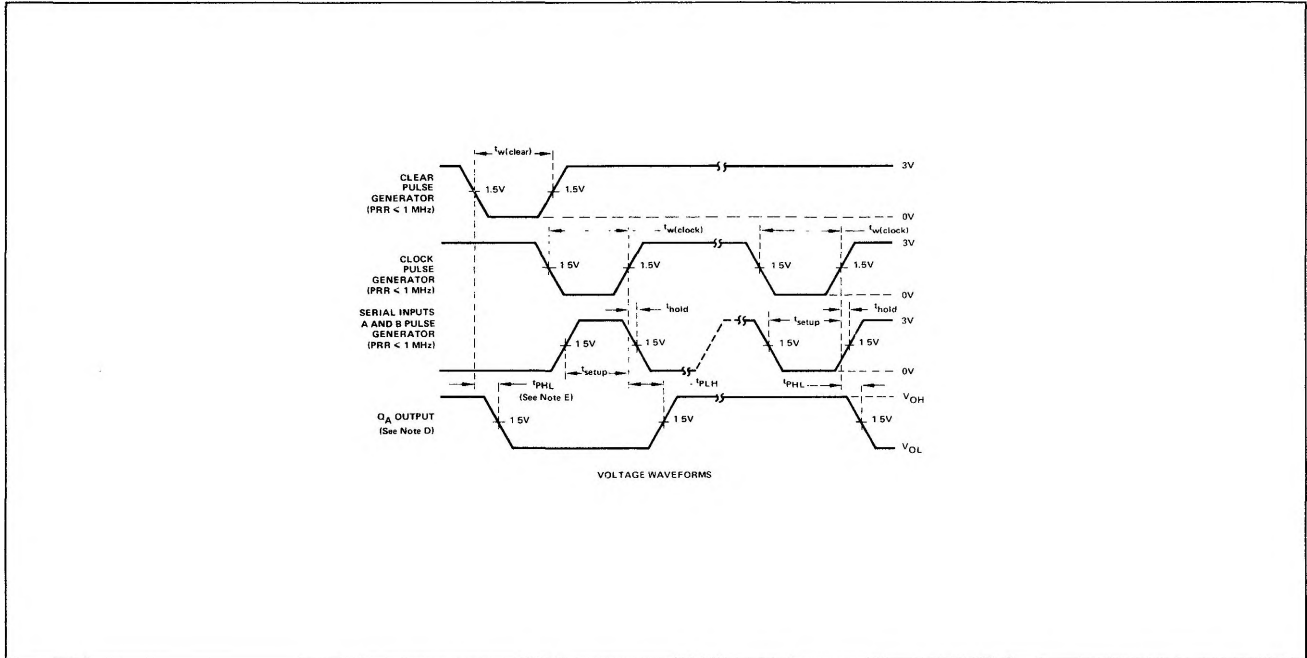
† Not more than two outputs should be shorted at a time.

NOTE : I_{CC} is measured with outputs open, serial inputs grounded, and a momentary ground, then 4.5V, applied to clear.

TYPICAL CLEAR, INHIBIT, SHIFT, CLEAR, AND INHIBIT SEQUENCES



PARAMETER MEASUREMENT INFORMATION



- NOTES:
- A. The pulse generators have the following characteristics: $t_r \leq 10\text{ns}$, $t_f \leq 10\text{ns}$, duty cycle $\leq 50\%$, $Z_{out} \approx 50\Omega$.
 - B. C_L includes probe and jig capacitance.
 - C. All diodes are 1N3064.
 - D. Q_A output is illustrated. Relationship of serial input A and B data to other Q outputs is illustrated in the typical shift sequence.
 - E. Outputs are set to the high level prior to the measurement of t_{PHL} from the clear input.