



DS75150 Dual Line Driver

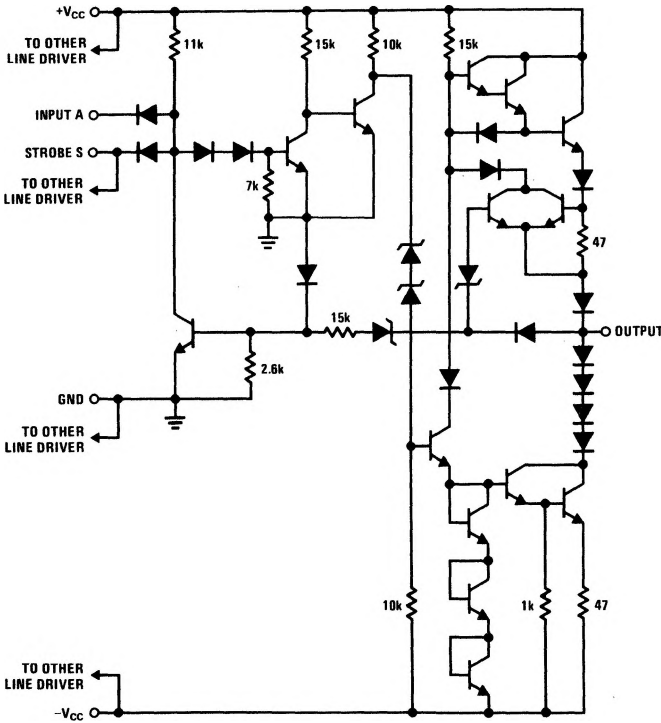
General Description

The DS75150 is a dual monolithic line driver designed to satisfy the requirements of the standard interface between data terminal equipment and data communication equipment as defined by EIA Standard RS-232-C. A rate of 20,000 bits per second can be transmitted with a full 2500 pF load. Other applications are in data-transmission systems using relatively short single lines, in level translators, and for driving MOS devices. The logic input is compatible with most TTL and LS families. Operation is from $-12V$ and $+12V$ power supplies.

Features

- Withstands sustained output short-circuit to any low impedance voltage between $-25V$ and $+25V$
- $2 \mu s$ max transition time through the $-3V$ to $+3V$ transition region under full 2500 pF load
- Inputs compatible with most TTL and LS families
- Common strobe input
- Inverting output
- Slew rate can be controlled with an external capacitor at the output
- Standard supply voltages $\pm 12V$

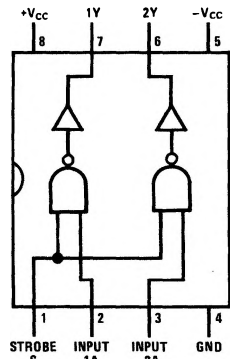
Schematic and Connection Diagrams



Component values shown are nominal.
1/2 of circuit shown

TL/F/5794-1

Dual-In-Line Package



TL/F/5794-2

Top View

Positive Logic C = $\bar{A}S$

**Order Number DS75150J-8,
DS75150M or DS75150N
See NS Package Number
J08A, M08A or N08E**