

DS3656

DS3656 Quad Peripheral Driver



Literature Number: SNLS364A

DS3656 Quad Peripheral Driver

General Description

The DS3656 is a quad peripheral driver designed for use in automotive applications. Logically it is an open collector NAND function with all inputs compatible with 74LS and CMOS series products. An enable input is provided that is common to each driver. When taken to a logic zero level all outputs will turn off. Also, overvoltage is detected.

The DS3656 has features associated with the output structure that make it highly versatile to many applications. Each output is capable of 600 mA sink currents and offers 65V standoff voltage in non-inductive applications. A clamp network capable of handling 800 mA is incorporated in each output which eliminates the need of an external network to quench the high voltage backswing caused when switching inductive loads up to 30V (reference AN-213).

The DS3656 is intended to operate from a 12V automotive battery. Internal to the device is its own voltage regulator which permits the device to operate during the wide voltage variation seen in many automotive applications. An overvoltage-protection circuit is incorporated that will cause the outputs to turn off when the supply exceeds 30V. The circuit is designed to withstand worst case fault conditions that occur in automotive applications, such as high voltage tran-

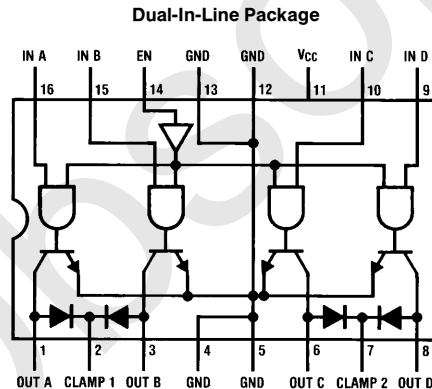
sients and reverse battery connection. In this type of environment an external 100Ω resistor must be connected in series with the V_{CC} line.

The molded package is specifically constructed to allow increased power dissipation over conventional packages. The four ground pins are directly connected to the device chip with a special copper lead frame. When the quad driver is soldered into a copper PC board the power rating of the device will significantly improve.

Features

- Quad automotive peripheral driver
- 600 mA output current capability
- High voltage outputs—65V
- Clamp diode provided for inductive loads
- Built in regulator
- Overvoltage failsafe
- TTL/LS/CMOS compatible diode clamped inputs
- High power dissipation package
- Guaranteed to withstand worst case fault conditions

Connection Diagram



Top View

Order Number DS3656N
See NS Package Number N16A

Truth Table

Enable	In X	Out X
H	H	L
H	L	Z
L	X	Z

H = High level L = Low level X = Irrelevant
Z = High impedance state

Absolute Maximum Ratings (Note 1)

If Military/Aerospace specified devices are required, please contact the National Semiconductor Sales Office/Distributors for availability and specifications.

Supply Voltage, V_{CC} (Note 2)	65V
Input Voltage	7V
Output Voltage	65V
Continuous Output Current	1.2A
Junction Temperature	150°C
Thermal Resistance (Junction to Ambient)	
DS3656N Plugged in a Socket	60°C/W
DS3656N Soldered in a PC Board	35°C/W
DS3656N Soldered in a PC Board with 6 in ² Cu Foil	20°C/W
Lead Temperature (Soldering, 4 seconds)	260°C

Operating Conditions

	Min	Max	Units
Supply Voltage, V_{CC}	10.5	17.0	V
Temperature	-40	105	°C

Electrical Characteristics (Notes 2 and 3)

Symbol	Parameter	Conditions	Min	Max	Units
V_{CC}	Power Supply Voltage		10.5	17	V
I_{CC}	Power Supply Current			65	mA
V_{IH}	High Level Input Voltage		2.0		V
V_{IL}	Low Level Input Voltage			0.8	V
I_{IH}	High Level Input Current	$V_{IN} = 2.7V$		20	μA
I_{IL}	Low Level Input Current	$V_{IN} = 0.4V$		-360	μA
V_{ICL}	Input Clamp Voltage	$I_{IN} = -10 mA$		-1.5	V
V_{OL}	Low Level Output Voltage	$I_L = 600 mA, V_{CC} = 10.5V$		1.5	V
I_{OH}	High Level Leakage Current	$V_{OH} = 65V$		1.0	mA
V_F	Output Diode Forward Voltage	$I_F = 800 mA$		2.5	V
I_R	Output Diode Reverse Leakage	$V_R = 65V$		1.0	mA
B_{VCE1}	V_{OH1} Switching Capacitive or Resistive Load			65	V
L_{VCEO}	V_{OH2} Switching Inductive Clamped Load			30	V

Switching Characteristics $V_{CC} = 13.2V, T_A = 25^\circ C$

Symbol	Parameter	Conditions	Min	Max	Units
t_{PLH}	Propagation Delay Time Low to High Level Output	$V_{CC} = 13.2V, R_L = 30\Omega, C_L = 15 pF$		10	μs
t_{PHL}	Propagation Delay Time High to Low Level Output	$V_{CC} = 13.2V, R_L = 30\Omega, C_L = 15 pF$		10	μs
t_{TLH}	Transition Time Low to High Level Output	$V_{CC} = 13.2V, R_L = 30\Omega, C_L = 15 pF$		500	ns
t_{THL}	Transition Time High to Low Level Output	$V_{CC} = 13.2V, R_L = 30\Omega, C_L = 15 pF$		500	ns
t_{PLH}	Enable to Output	$V_{CC} = 13.2V, R_L = 30\Omega, C_L = 15 pF$		10	μs
t_{PHL}	Enable to Output	$V_{CC} = 13.2V, R_L = 30\Omega, C_L = 15 pF$		10	μs

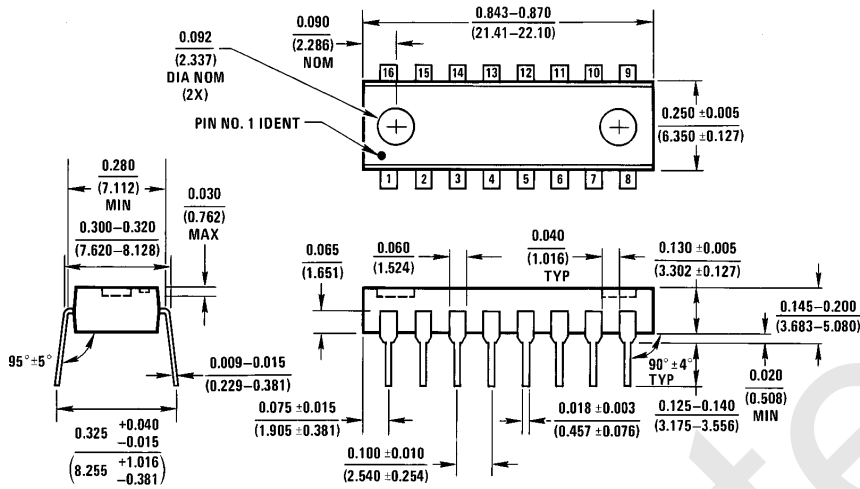
Note 1: "Absolute Maximum Ratings" are those values beyond which the safety of the device cannot be guaranteed. Except for "Operating Temperature Range" they are not meant to imply that the devices should be operated at these limits. The table of "Electrical Characteristics" provides conditions for actual device operation.

Note 2: Voltage values are with respect to network ground terminal unless otherwise specified.

Note 3: Unless otherwise specified min/max limits apply across the -40°C to +105°C temperature range.

Obsolete

Physical Dimensions inches (millimeters)



Molded Dual-In-Line Package (N)
Order Number DS3656N
NS Package Number N16A

N16A (REV E)

LIFE SUPPORT POLICY

NATIONAL'S PRODUCTS ARE NOT AUTHORIZED FOR USE AS CRITICAL COMPONENTS IN LIFE SUPPORT DEVICES OR SYSTEMS WITHOUT THE EXPRESS WRITTEN APPROVAL OF THE PRESIDENT OF NATIONAL SEMICONDUCTOR CORPORATION. As used herein:

1. Life support devices or systems are devices or systems which, (a) are intended for surgical implant into the body, or (b) support or sustain life, and whose failure to perform, when properly used in accordance with instructions for use provided in the labeling, can be reasonably expected to result in a significant injury to the user.
2. A critical component is any component of a life support device or system whose failure to perform can be reasonably expected to cause the failure of the life support device or system, or to affect its safety or effectiveness.



National Semiconductor Corporation
 1111 West Bardin Road
 Arlington, TX 76017
 Tel: 1(800) 272-9959
 Fax: 1(800) 737-7018

National Semiconductor Europe
 Fax: (+49) 0-180-530 85 86
 Email: onjwge@tevm2.nsc.com
 Deutsch Tel: (+49) 0-180-530 85 85
 English Tel: (+49) 0-180-532 78 32
 Français Tel: (+49) 0-180-532 93 58
 Italiano Tel: (+49) 0-180-534 16 80

National Semiconductor Hong Kong Ltd.
 19th Floor, Straight Block,
 Ocean Centre, 5 Canton Rd.
 Tsimshatsui, Kowloon
 Hong Kong
 Tel: (852) 2737-1600
 Fax: (852) 2736-9960

National Semiconductor Japan Ltd.
 Tel: 81-043-299-2309
 Fax: 81-043-299-2408

National does not assume any responsibility for use of any circuitry described, no circuit patent licenses are implied and National reserves the right at any time without notice to change said circuitry and specifications.

IMPORTANT NOTICE

Texas Instruments Incorporated and its subsidiaries (TI) reserve the right to make corrections, modifications, enhancements, improvements, and other changes to its products and services at any time and to discontinue any product or service without notice. Customers should obtain the latest relevant information before placing orders and should verify that such information is current and complete. All products are sold subject to TI's terms and conditions of sale supplied at the time of order acknowledgment.

TI warrants performance of its hardware products to the specifications applicable at the time of sale in accordance with TI's standard warranty. Testing and other quality control techniques are used to the extent TI deems necessary to support this warranty. Except where mandated by government requirements, testing of all parameters of each product is not necessarily performed.

TI assumes no liability for applications assistance or customer product design. Customers are responsible for their products and applications using TI components. To minimize the risks associated with customer products and applications, customers should provide adequate design and operating safeguards.

TI does not warrant or represent that any license, either express or implied, is granted under any TI patent right, copyright, mask work right, or other TI intellectual property right relating to any combination, machine, or process in which TI products or services are used. Information published by TI regarding third-party products or services does not constitute a license from TI to use such products or services or a warranty or endorsement thereof. Use of such information may require a license from a third party under the patents or other intellectual property of the third party, or a license from TI under the patents or other intellectual property of TI.

Reproduction of TI information in TI data books or data sheets is permissible only if reproduction is without alteration and is accompanied by all associated warranties, conditions, limitations, and notices. Reproduction of this information with alteration is an unfair and deceptive business practice. TI is not responsible or liable for such altered documentation. Information of third parties may be subject to additional restrictions.

Resale of TI products or services with statements different from or beyond the parameters stated by TI for that product or service voids all express and any implied warranties for the associated TI product or service and is an unfair and deceptive business practice. TI is not responsible or liable for any such statements.

TI products are not authorized for use in safety-critical applications (such as life support) where a failure of the TI product would reasonably be expected to cause severe personal injury or death, unless officers of the parties have executed an agreement specifically governing such use. Buyers represent that they have all necessary expertise in the safety and regulatory ramifications of their applications, and acknowledge and agree that they are solely responsible for all legal, regulatory and safety-related requirements concerning their products and any use of TI products in such safety-critical applications, notwithstanding any applications-related information or support that may be provided by TI. Further, Buyers must fully indemnify TI and its representatives against any damages arising out of the use of TI products in such safety-critical applications.

TI products are neither designed nor intended for use in military/aerospace applications or environments unless the TI products are specifically designated by TI as military-grade or "enhanced plastic." Only products designated by TI as military-grade meet military specifications. Buyers acknowledge and agree that any such use of TI products which TI has not designated as military-grade is solely at the Buyer's risk, and that they are solely responsible for compliance with all legal and regulatory requirements in connection with such use.

TI products are neither designed nor intended for use in automotive applications or environments unless the specific TI products are designated by TI as compliant with ISO/TS 16949 requirements. Buyers acknowledge and agree that, if they use any non-designated products in automotive applications, TI will not be responsible for any failure to meet such requirements.

Following are URLs where you can obtain information on other Texas Instruments products and application solutions:

Products

Audio	www.ti.com/audio
Amplifiers	amplifier.ti.com
Data Converters	dataconverter.ti.com
DLP® Products	www.dlp.com
DSP	dsp.ti.com
Clocks and Timers	www.ti.com/clocks
Interface	interface.ti.com
Logic	logic.ti.com
Power Mgmt	power.ti.com
Microcontrollers	microcontroller.ti.com
RFID	www.ti-rfid.com
OMAP Mobile Processors	www.ti.com/omap
Wireless Connectivity	www.ti.com/wirelessconnectivity

Applications

Communications and Telecom	www.ti.com/communications
Computers and Peripherals	www.ti.com/computers
Consumer Electronics	www.ti.com/consumer-apps
Energy and Lighting	www.ti.com/energy
Industrial	www.ti.com/industrial
Medical	www.ti.com/medical
Security	www.ti.com/security
Space, Avionics and Defense	www.ti.com/space-avionics-defense
Transportation and Automotive	www.ti.com/automotive
Video and Imaging	www.ti.com/video

TI E2E Community Home Page

e2e.ti.com

Mailing Address: Texas Instruments, Post Office Box 655303, Dallas, Texas 75265
Copyright © 2011, Texas Instruments Incorporated