



## DS3486 Quad RS-422, RS-423 Line Receiver

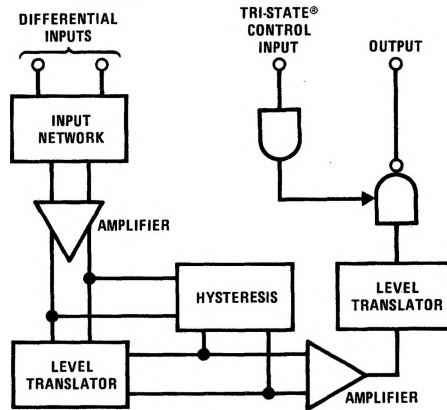
### General Description

National's quad RS-422, RS-423 receiver features four independent receiver chains which comply with EIA Standards for the electrical characteristics of balanced/unbalanced voltage digital interface circuits. Receiver outputs are 74LS compatible, TRI-STATE® structures which are forced to a high impedance state when the appropriate output control pin reaches a logic zero condition. A PNP device buffers each output control pin to assure minimum loading for either logic one or logic zero inputs. In addition, each receiver chain has internal hysteresis circuitry to improve noise margin and discourage output instability for slowly changing input waveforms.

### Features

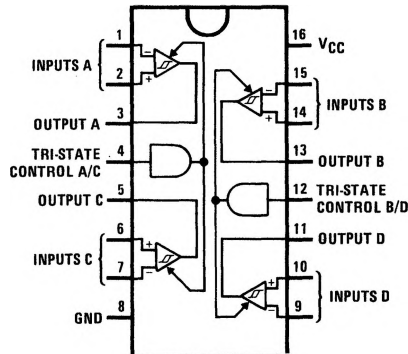
- Four independent receiver chains
- TRI-STATE outputs
- High impedance output control inputs (PIA compatible)
- Internal hysteresis – 140 mV (typ)
- Fast propagation times – 18 ns (typ)
- TTL compatible
- Single 5V supply voltage
- Pin compatible and interchangeable with MC3486

### Block and Connection Diagrams



TL/F/5779-1

#### Dual-In-Line Package



TL/F/5779-2

#### Top View

Order Number DS3486J, DS3486M or DS3486N  
See NS Package Number J16A, M16A or N16A